

### FEATURES

- 4-channel timing formatter
- 256 waveforms per channel
- 4 independent event edges per waveform
- STIL IEEE 1450-1999-compatible events
- 4-period range for each edge
- 39.06 ps timing resolution
- 2.5 ns minimum edge refire rate
- All drive formats supported
- 100 MHz base vector rate
- ×2 and ×4 high speed modes
- ×2 pin multiplexing
- 1 ns minimum pulse width
- 32-bit fail counter per channel
- 4-bit pin capture per channel
- Air cooled, low power CMOS design
- 6 W at 100 MHz base rate
- 2.5 V power supply
- Differential DCL interface control
- TMU multiplexer

### APPLICATIONS

- Automatic test equipment (ATE)
- High speed digital instrumentation
- Pulse generation

### GENERAL DESCRIPTION

The ADATE207 is a timing generator and formatter for automatic test equipment (ATE) equipment. The ADATE207 provides four independent channels with a 100 MHz base vector rate of timing and formatting for ATE digital pins. It interfaces between the pattern memory, and the driver, comparator, and load (DCL) chips for complete digital pins. The ADATE207 accepts up to eight bits of pattern data per pin and can produce formatted outputs and perform comparisons of DUT expected responses.

Each channel of the ADATE207 provides 256 selectable waveforms, wherein each waveform consists of up to four possible events. Each event consists of a programmable timing edge and a STIL-compatible (IEEE Standard 1450-1999) set.

Each timing edge generator can produce an edge with a span of four periods with a 39.06 ps edge placement resolution. The delay

### FUNCTIONAL BLOCK DIAGRAM

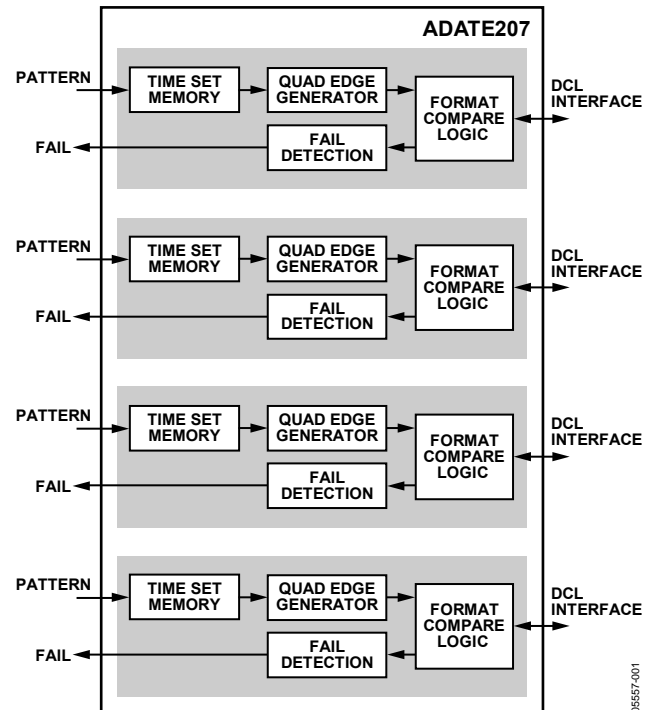


Figure 1.

generators use a reference master clock of 100 MHz and provide programmable delays based upon counts of the clock and a compensated CMOS analog timing vernier. The programmable delay generators can be additionally delayed by a global 8-bit input value that is shared across all edges.

The format and compare logic support ×2 pin multiplexing to allow the trading of pin count for speed.

Each channel provides a 4-bit DUT output capture supporting mixed signal receive memory applications. The fail detection logic includes a 32-bit fail accumulation register per channel.

An external TMU is supported with three 8-to-1 multiplexers. This allows the dual comparator outputs of any pin to be multiplexed to any of the three outputs: arm, start, or stop signals.

#### Rev. 0

Information furnished by Analog Devices is believed to be accurate and reliable. However, no responsibility is assumed by Analog Devices for its use, nor for any infringements of patents or other rights of third parties that may result from its use. Specifications subject to change without notice. No license is granted by implication or otherwise under any patent or patent rights of Analog Devices. Trademarks and registered trademarks are the property of their respective owners.

**TABLE OF CONTENTS**

|  |    |   |    |
|--|----|---|----|
| Features .....                                     | 1  | Drive and Compare Logic.....                | 13 |
| Applications.....                                  | 1  | Pipeline Considerations.....                | 14 |
| Functional Block Diagram .....                     | 1  | DUT Capture .....                           | 15 |
| General Description .....                          | 1  | TMU Multiplexer .....                       | 15 |
| Specifications.....                                | 3  | Low Jitter Clock Driver .....               | 15 |
| DC Specifications .....                            | 3  | Clock Generator Mode.....                   | 15 |
| AC Specifications.....                             | 4  | Device Reset.....                           | 15 |
| Timing Diagrams.....                               | 5  | Temperature Diode .....                     | 17 |
| Absolute Maximum Ratings.....                      | 6  | High Speed Differential DCL Interface.....  | 17 |
| Thermal Resistance .....                           | 6  | Control and Status Register Interface ..... | 18 |
| Bypassing Scheme .....                             | 6  | Read/Write Function .....                   | 18 |
| ESD Caution.....                                   | 6  | Control and Status Registers.....           | 21 |
| Pin Configurations and Function Descriptions ..... | 7  | Channel Specific and Common Registers ..... | 22 |
| Theory of Operation .....                          | 12 | Chip-Specific (Common) Registers.....       | 30 |
| Waveform Memory .....                              | 12 | Application Information .....               | 34 |
| Event Generators .....                             | 12 | Time Measurement Support.....               | 34 |
| Delay Generation.....                              | 12 | Outline Dimensions .....                    | 35 |
| Vernier Resolution .....                           | 12 | Ordering Guide .....                        | 35 |

**REVISION HISTORY****5/07—Revision 0: Initial Version**

# SPECIFICATIONS

## DC SPECIFICATIONS

T<sub>C</sub> = 85°C ± 5°C, VDD = 2.5 V, unless otherwise noted.

Table 1.

| Parameter  | Conditions   | Min       | Typ      | Max  | Unit  |
|--|--|-----------|----------|------|-------|
| <b>POWER SUPPLY</b>                                  |  |           |          |      |       |
| Operating Supply Current, IDD                        | All channels repeating pattern of 1/H/0/L across D0/D1/D2/D3 edges every 20 ns |           | 2.5      | 2.7  | A     |
| Power Dissipation <sup>1</sup>                       | All channels repeating pattern of 1/H/0/L across D0/D1/D2/D3 edges every 20 ns |           | 6.3      | 7.1  | W     |
|  | All channels repeating pattern of H/L/H/L across D0/D1/D2/D3 edges every 10 ns |           | 6.85     |      | W     |
| Operating Supply Current, IDD                        | Idle mode; no patterns bursting  |           | 5.7      |      | W     |
|  | All channels repeating pattern of 1/0/1/0 across D0/D1/D2/D3 edges every 10 ns |           | 2.7      |      | A     |
|  | Idle mode; no patterns bursting  |           | 2.2      |      | A     |
| <b>DIGITAL INPUTS</b>                                |  |           |          |      |       |
| <b>LVCMS25</b>                                       |  |           |          |      |       |
| V <sub>IL</sub>                                      | V <sub>IL</sub> = 0 V  | 1.7       |          | 0.7  | V     |
| I <sub>IL</sub>                                      |  |           |          | 1    | μA    |
| V <sub>IH</sub>                                      | V <sub>IH</sub> = 2.5 V  |           |          | 1    | V     |
| I <sub>IH</sub>                                      |  |           |          | 1    | μA    |
| Pin Capacitance                                      | Guaranteed by simulation   |           | 3.5      |      | pF    |
| <b>Differential Inputs with Internal Termination</b> |  |           |          |      |       |
| V <sub>DIFF</sub>                                    |  | 200       |          |      | mV    |
| Input Voltage Range                                  |  | 1.0       |          | VDD  | V     |
| <b>Differential inputs with External Termination</b> |  |           |          |      |       |
| V <sub>DIFF</sub>                                    |  | 200       |          |      | mV    |
| Input Voltage Range                                  |  | 1.0       |          | VDD  | V     |
| R Termination  |  |           | 50 ± 15% |      | Ω     |
| <b>DIGITAL BIDIRECTIONALS</b>                        |  |           |          |      |       |
| <b>LVCMS25</b>                                       |  |           |          |      |       |
| V <sub>IL</sub>                                      | V <sub>IL</sub> = 0 V  | 1.7       |          | 0.7  | V     |
| I <sub>IL</sub>                                      |  |           |          | 1    | μA    |
| V <sub>IH</sub>                                      | V <sub>IH</sub> = 2.5 V  |           |          | 1    | V     |
| I <sub>IH</sub>                                      |  |           |          | 1    | μA    |
| <b>DIGITAL OUTPUTS</b>                               |  |           |          |      |       |
| <b>LVCMS25</b>                                       |  |           |          |      |       |
| V <sub>OL</sub>                                      | I <sub>OL</sub> = 8 mA   | VDD - 0.4 |          | 0.4  | V     |
| V <sub>OH</sub>                                      | I <sub>OH</sub> = 8 mA   |           |          |      | V     |
| <b>Open Drain Differential Outputs</b>               |  |           |          |      |       |
| V <sub>DIFF</sub>                                    | REF_1K > 100 kΩ to GND   | 200       | 300      |      | mV    |
| V <sub>OL</sub> (Individual Leg of Pair)             | V <sub>TERM</sub> = 50 Ω to VDD  |           |          | 2.49 | V     |
| V <sub>OH</sub> (Individual Leg of Pair)             | V <sub>TERM</sub> = 50 Ω to VDD  | 2.2       |          |      | V     |
| Ambient Potential                                    | I <sub>DIODE</sub> = 100 μA  |           | 715      |      | mV    |
| Operating Potential                                  | I <sub>DIODE</sub> = 100 μA  | 600       |          | 630  | mV    |
| Temperature Coefficient                              | I <sub>DIODE</sub> = 100 μA  |           | 1.4      |      | mV/°C |

<sup>1</sup> Power dissipation specifically indicates part dissipation and does not include power dissipated in external terminations.

# ADATE207

## AC SPECIFICATIONS

T<sub>c</sub> = 85°C ± 5°C, VDD = 2.5 V, unless otherwise noted.

Table 2.

| Parameter  | Conditions             | Min  | Typ   | Max  | Unit   |
|--|------------------------|------|-------|--|--------|
| CLOCK INPUTS   |                        |      |       |  |        |
| Master Clock (MCLK) Frequency                          |                        |      | 100   |  | MHz    |
| MCLK Duty Cycle  |                        | 46   | 50    | 54   | %      |
| DRIVE OUTPUTS  |                        |      |       |  |        |
| Output Pulse Width                                     | Timing error < ±125 ps | 1    |       |  | ns     |
| COMPARE INPUTS   |                        |      |       |  |        |
| Minimum Comparison Window Width                        |                        |      | 1.25  |  | ns     |
| Minimum Detectable Glitch Width                        |                        | 1.25 |       |  | ns     |
| EDGE PERFORMANCE                                       |                        |      |       |  |        |
| Retrigger Time   |                        | 2.5  |       |  | ns     |
| Edge Delay   |                        | 0    |       | Lesser of 4 T <sub>0</sub> cycles<br>or 163.8 μs |        |
| Vernier Resolution                                     |                        |      | 39.06 |  | ps     |
| Vernier Timing DNL                                     |                        | -150 |       | +150   | ps     |
| Vernier Timing INL                                     |                        | -150 |       | +150   | ps     |
| Vernier Temperature Coefficient                        |                        |      | 4     |  | ps/°C  |
| Edge Jitter  | MCLK jitter 5 ps rms   |      | 20    |  | ps rms |
| CONTROL AND STATUS REGISTER (CSR) INTERFACE            |                        |      |       |  |        |
| Clock Period   |                        |      |       | 10   | ns     |
| Setup Time (t <sub>BSU</sub> )                         | MCLK                   | 1.1  |       |  | ns     |
| Hold Time (t <sub>BH</sub> )                           | MCLK                   | 0.5  |       |  | ns     |
| Clock to Output (t <sub>BCO</sub> )                    | MCLK                   | 2.5  |       | 7.0  | ns     |
| Clock to Tristate (t <sub>BCZ</sub> )                  |                        | 2.3  |       | 4.2  | ns     |
| Clock to Data Valid from Tristate (t <sub>BCZV</sub> ) |                        | 0    |       | 7.0  | ns     |
| DIGITAL INPUTS   |                        |      |       |  |        |
| Set Up (t <sub>ISU</sub> )                             | MCLK                   | 1.7  |       |  | ns     |
| Hold Time (t <sub>IH</sub> )                           | MCLK                   | 0.5  |       |  | ns     |
| DIGITAL OUTPUTS  |                        |      |       |  |        |
| Clock to Output (t <sub>OCO</sub> )                    | MCLK                   | 0.7  |       | 1.6  | ns     |
| JTAG PORTS   |                        |      |       |  |        |
| JTAG Clock Period                                      |                        |      | 100   |  | ns     |
| Setup Time (t <sub>SSU</sub> )                         | JTAG CLOCK             |      | 50    |  | ns     |
| Hold Time (t <sub>SH</sub> )                           | JTAG CLOCK             |      | 50    |  | ns     |
| Clock to Output (t <sub>SCO</sub> )                    | JTAG CLOCK             |      | 50    |  | ns     |

**TIMING DIAGRAMS**

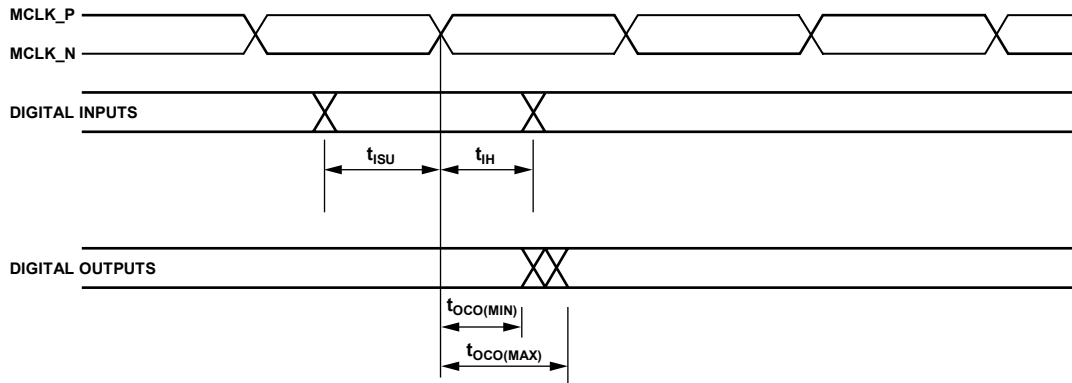


Figure 2. Timing Diagram for Inputs and Outputs

05557-007

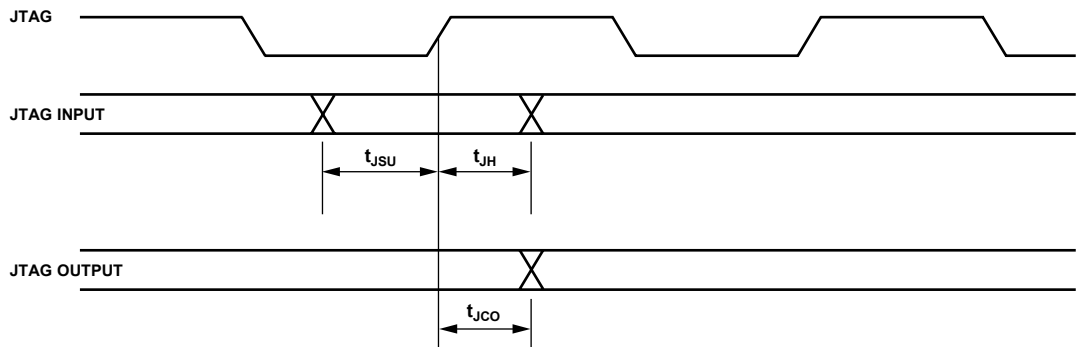


Figure 3. Timing Diagram for Scan Inputs and Scan Outputs

05557-015

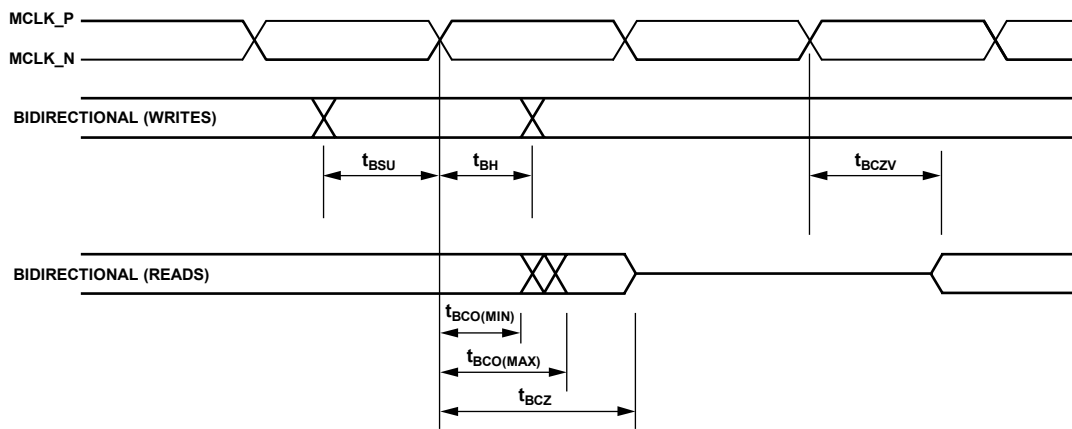


Figure 4. Timing Diagram for Bidirectional Reads and Writes

05557-018

**ABSOLUTE MAXIMUM RATINGS**

Table 3.

| Parameter                    | Rating                |
|------------------------------|-----------------------|
| VDD                          | -0.3 V to +2.8 V      |
| Digital Inputs               | -0.3 V to VDD + 0.3 V |
| Resistor Termination pins    | -0.3 to VDD + 0.3 V   |
| Resistor Termination Current | 12 mA max             |
| Termination Pad Current      | 12 mA max             |
| Junction Temperature         | 125°C                 |
| Storage Temperature          | -40 to 125°C          |

Stresses above those listed under Absolute Maximum Ratings may cause permanent damage to the device. This is a stress rating only; functional operation of the device at these or any other conditions above those indicated in the operational section of this specification is not implied. Exposure to absolute maximum rating conditions for extended periods may affect device reliability.

Table 4. Recommended Operating/Environmental Conditions

| Parameter                          | Min   | Typ | Max   | Unit |
|------------------------------------|-------|-----|-------|------|
| VDD                                | 2.375 | 2.5 | 2.625 | V    |
| Case Temperature (T <sub>c</sub> ) |       | 85  |       | °C   |
| Relative Humidity (Noncondensing)  |       |     | 85    | %    |

**THERMAL RESISTANCE**

Table 5. Thermal Resistance

| Package Type    | θ <sub>JA</sub> | θ <sub>JC</sub> | Unit |
|-----------------|-----------------|-----------------|------|
| 256-Lead BGA_ED |                 | 1.5             | °C/W |
| In Still Air    | 14.3            |                 | °C/W |
| 200 LFPM        | 12.0            |                 | °C/W |
| 400 LFPM        | 11.2            |                 | °C/W |


**BYPASSING SCHEME**

For decoupling, best practice suggests that to preserve as much of the plane-to-plane capacitance as possible, do not perforate the planes for VSS and VDD. Secondly, it is advisable to decouple VDD to VSS by using 0.1 μF high frequency ceramic capacitors. The trace to the capacitor should be kept to an absolute minimum length. It is recommend that one capacitor be placed in the corner of the chip and one in the middle of each side for a total of eight capacitors for VDD to VSS. Furthermore, decouple IOVDD to IOVSS on each side of the device. It is recommended that 10 μF tantalum or ceramic capacitors be used for low frequency decoupling around the device. It is not important for these capacitors to be close to the device.

Table 6. Data Table for 256-Lead Ball Grid Array, Thermally Enhanced, 27 mm × 27 mm Body

| Dimension | Minimum (mm) | Nominal (mm) | Maximum (mm) |
|-----------|--------------|--------------|--------------|
| A         |              |              | 1.70         |
| A1        | 0.50         | 0.60         | 0.70         |
| A2        | 0.60         | 0.80         | 1.00         |
| D         | 26.90        | 27.00        | 27.10        |
| D1        | 24.03        | 24.13        | 24.23        |
| E         | 26.90        | 27.00        | 27.10        |
| E1        | 24.03        | 24.13        | 24.23        |
| b         | 0.60         | 0.75         | 0.90         |
| e         |              | 1.27         |              |
| aaa       |              | 0.20         |              |
| bbb       |              | 0.25         |              |
| ccc       |              | 0.35         |              |
| ddd       |              | 0.20         |              |
| eee       |              | 0.30         |              |
| fff       |              | 0.15         |              |
| S         |              | 0.635        |              |

**ESD CAUTION**

|   |   |
|---|---|
|  | <p><b>ESD (electrostatic discharge) sensitive device.</b> Charged devices and circuit boards can discharge without detection. Although this product features patented or proprietary protection circuitry, damage may occur on devices subjected to high energy ESD. Therefore, proper ESD precautions should be taken to avoid performance degradation or loss of functionality.</p> |
|---|---|

# PIN CONFIGURATIONS AND FUNCTION DESCRIPTIONS

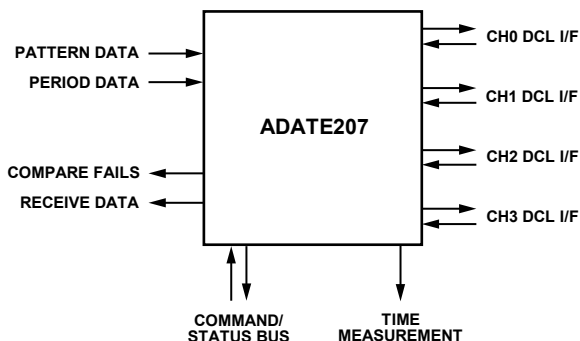


Figure 5. Connection Overview Diagram

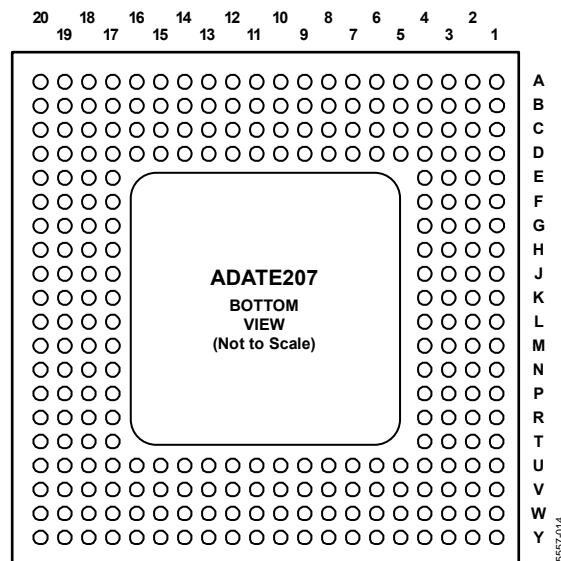


Figure 6. Ball Grid Array

Table 7. Pin Function Descriptions

| Pin No.                                 | Mnemonic           | Input/Output <sup>1</sup> | Type      | Description  |
|---|--------------------|---------------------------|-----------|--|
| B4, A4, C5, D6                          | PAT_MASK[3:0]      | I                         | LVC MOS25 | Mask Failures. Used to mask failures on D3, D2, D1 and D0 edges, respectively. Clocked by MCLK.              |
| T3, U1, U2, T4, U3, V4, U5, W4          | PAT_PATDATA_0[7:0] | I                         | LVC MOS25 | Channel 0 Waveform Memory Address. Use these pins to address waveform memory for Channel 0. Clocked by MCLK. |
| B5, A5, C6, B6, A6, C7, B7, D8          | PAT_PATDATA_1[7:0] | I                         | LVC MOS25 | Channel 1 Waveform Memory Address. Use these pins to address waveform memory for Channel 1. Clocked by MCLK. |
| W212, V12, Y13, U12, W13, V13, Y14, W14 | PAT_PATDATA_2[7:0] | I                         | LVC MOS25 | Channel 2 Waveform Memory Address. Use these pins to address waveform memory for Channel 2. Clocked by MCLK. |
| A16, B16, D15, C16, A17, B17, D16, C17  | PAT_PATDATA_3[7:0] | I                         | LVC MOS25 | Channel 3 Waveform Memory Address. Use these pins to address waveform memory for Channel 3. Clocked by MCLK. |
| Y4, W5, V6                              | PAT_FAIL_0[3:0]    | O                         | LVC MOS25 | Fails on D3, D2, D1 and D0 Edges for Channel 0. Clocked by MCLK.   |
| B8, A8, B9, B10                         | PAT_FAIL_1[3:0]    | O                         | LVC MOS25 | Fails on D3, D2, D1 and D0 Edges for Channel 1. Clocked by MCLK.   |
| V8, W8, W9, Y9                          | PAT_FAIL_2[3:0]    | O                         | LVC MOS25 | Fails on D3, D2, D1 and D0 Edges for Channel 2. Clocked by MCLK.   |
| B12, C12, B13, A14                      | PAT_FAIL_3[3:0]    | O                         | LVC MOS25 | Fails on D3, D2, D1 and D0 Edges for Channel 3. Clocked by MCLK.   |
| W6, Y6, W7, Y7                          | PAT_DUTDATA_0[3:0] | O                         | LVC MOS25 | DUT Capture Data from Channel 0. Clocked by MCLK.  |
| C10, A11, B11, A12                      | PAT_DUTDATA_1[3:0] | O                         | LVC MOS25 | DUT Capture Data from Channel 1. Clocked by MCLK.  |
| V10, W10, Y10, W11                      | PAT_DUTDATA_2[3:0] | O                         | LVC MOS25 | DUT Capture Data from Channel 2. Clocked by MCLK.  |
| B14, C14, A15, B15                      | PAT_DUTDATA_3[3:0] | O                         | LVC MOS25 | DUT Capture Data from Channel 3. Clocked by MCLK.  |

# ADATE207

| Pin No.                        | Mnemonic         | Input/Output <sup>1</sup> | Type                    | Description   |
|--------------------------------|------------------|---------------------------|-------------------------|---|
| D5                             | PAT_DATA_VALID   | I                         | LVC MOS25               | Indicates Pattern Bursting. When not asserted, edges are disabled and the drive and expect signals are static. Clocked by MCLK. |
| F3                             | PER_EARLY_T0EN   | I                         | LVC MOS25               | Indicates the Start of a T0 Period. Clocked by MCLK.  |
| E1                             | PER_EARLY_C0EN   | I                         | LVC MOS25               | Indicates the Start of a C0 Period. Clocked by MCLK.  |
| C4, D3, E4, D2, D1, E3, F4, E2 | INPUT_DELAY[7:0] | I                         | LVC MOS25               | Global Delay Input For All Edges. Clocked by MCLK.  |
| F18                            | TMU_ARM_P        | D, O                      | Differential open-drain | Differential Tristate Output. Noninverted TMU ARM multiplexer output. High-Z when not enabled.                                  |
| E20                            | TMU_ARM_N        | D, O                      | Differential open-drain | Differential Tristate Output. Inverted TMU ARM multiplexer output. High-Z when not enabled.                                     |
| E19                            | TMU_START_P      | D, O                      | Differential open-drain | Differential Tristate Output. Noninverted TMU START multiplexer output. High-Z when not enabled.                                |
| F17                            | TMU_START_N      | D, O                      | Differential open-drain | Differential Tristate Output. Inverted TMU START multiplexer output. High-Z when not enabled.                                   |
| E18                            | TMU_STOP_P       | D, O                      | Differential open-drain | Noninverted TMU STOP Multiplexer Output. Differential tristate output. High-Z when not enabled.                                 |
| D20                            | TMU_STOP_N       | D, O                      | Differential open-drain | Inverted TMU STOP Multiplexer Output. Differential tristate output. High-Z when not enabled.                                    |
| P2                             | DR_DATA_CH0_P    | D, O                      | Differential open-drain | Noninverted DCL Drive Data Signal for Channel 0.  |
| P1                             | DR_DATA_CH0_N    | D, O                      | Differential open-drain | Inverted DCL Drive Data Signal for Channel 0.   |
| G3                             | DR_DATA_CH1_P    | D, O                      | Differential open-drain | Noninverted DCL Drive Data Signal for Channel 1.  |
| H4                             | DR_DATA_CH1_N    | D, O                      | Differential open-drain | Inverted DCL Drive Data Signal for Channel 1.   |
| P19                            | DR_DATA_CH2_P    | D, O                      | Differential open-drain | Noninverted DCL Drive Data Signal for Channel 2.  |
| P20                            | DR_DATA_CH2_N    | D, O                      | Differential open-drain | Inverted DCL Drive Data Signal for Channel 2.   |
| G18                            | DR_DATA_CH3_P    | D, O                      | Differential open-drain | Noninverted DCL Drive Data Signal for Channel 3.  |
| H17                            | DR_DATA_CH3_N    | D, O                      | Differential open-drain | Inverted DCL Drive Data Signal for Channel 3.   |
| N3                             | DR_EN_CH0_P      | D, O                      | Differential open-drain | Noninverted DCL Drive Enable Signal for Channel 0.  |
| N2                             | DR_EN_CH0_N      | D, O                      | Differential open-drain | Inverted DCL Drive Enable Signal for Channel 0.   |
| G2                             | DR_EN_CH1_P      | D, O                      | Differential open-drain | Noninverted DCL Drive Enable Signal for Channel 1.  |
| G1                             | DR_EN_CH1_N      | D, O                      | Differential open-drain | Inverted DCL Drive Enable Signal for Channel 1.   |
| N18                            | DR_EN_CH2_P      | D, O                      | Differential open-drain | Noninverted DCL Drive Enable Signal for Channel 2.  |
| N19                            | DR_EN_CH2_N      | D, O                      | Differential open-drain | Inverted DCL Drive Enable Signal for Channel 2.   |
| G19                            | DR_EN_CH3_P      | D, O                      | Differential open-drain | Noninverted DCL Drive Enable Signal for Channel 3.  |



| Pin No. | Mnemonic     | Input/Output <sup>1</sup> | Type                          | Description   |
|---------|--------------|---------------------------|-------------------------------|---|
| G20     | DR_EN_CH3_N  | D, O                      | Differential open-drain       | Inverted DCL Drive Enable Signal for Channel 3.   |
| L20     | LJ_CLK_P     | D, I                      | Differential input            | Noninverted Low Jitter Clock Input. This pin can be multiplexed onto DR_DATA outputs for Channel 2 and Channel 3.                         |
| K19     | LJ_CLK_N     | D, I                      | Differential Input            | Inverted Low Jitter Clock Input. This pin can be multiplexed onto DR_DATA outputs for Channel 2 and Channel 3.                            |
| M3      | COMP_H_CH0_P | D, I                      | Differential input terminated | Noninverted DCL High Comparator Signal for Channel 0. Differential signal is Logic 1 when the DUT output is higher than V <sub>OH</sub> . |
| M2      | COMP_H_CH0_N | D, I                      | Differential input terminated | Inverted DCL High Comparator Signal for Channel 0.  |
| J4      | COMP_H_CH1_P | D, I                      | Differential input terminated | Noninverted DCL High Comparator Signal for Channel 1. Differential signal is Logic 1 when the DUT output is higher than V <sub>OH</sub> . |
| J3      | COMP_H_CH1_N | D, I                      | Differential input terminated | Inverted DCL High Comparator Signal for Channel 1.  |
| M18     | COMP_H_CH2_P | D, I                      | Differential input terminated | Noninverted DCL High Comparator Signal for Channel 2. Differential signal is Logic 1 when the DUT output is higher than V <sub>OH</sub> . |
| M19     | COMP_H_CH2_N | D, I                      | Differential input terminated | Inverted DCL High Comparator Signal for Channel 2.  |
| J17     | COMP_H_CH3_P | D, I                      | Differential input terminated | Noninverted DCL High Comparator Signal for Channel 3. Differential signal is Logic 1 when the DUT output is higher than V <sub>OH</sub> . |
| J18     | COMP_H_CH3_N | D, I                      | Differential input terminated | Inverted DCL High Comparator Signal for Channel 3.  |
| L3      | COMP_L_CH0_P | D, I                      | Differential input terminated | Noninverted DCL Low Comparator Signal for Channel 0. Differential signal is Logic 1 when the DUT output is higher than V <sub>OL</sub> .  |
| L4      | COMP_L_CH0_N | D, I                      | Differential input terminated | Inverted Low Comparator Signal for Channel 0.   |
| H1      | COMP_L_CH1_P | D, I                      | Differential input terminated | Noninverted DCL Low Comparator Signal for Channel 1. Differential signal is Logic 1 when the DUT output is higher than V <sub>OL</sub> .  |
| J2      | COMP_L_CH1_N | D, I                      | Differential input terminated | Inverted Low Comparator Signal for Channel 1.   |
| L18     | COMP_L_CH2_P | D, I                      | Differential input terminated | Noninverted DCL Low Comparator Signal for Channel 2. Differential signal is Logic 1 when the DUT output is higher than V <sub>OL</sub> .  |
| L17     | COMP_L_CH2_N | D, I                      | Differential Input terminated | Inverted Low Comparator Signal for Channel 2.   |
| H20     | COMP_L_CH3_P | D, I                      | Differential input terminated | Noninverted DCL Low Comparator Signal for Channel 3. Differential signal is Logic 1 when the DUT output is higher than V <sub>OL</sub> .  |
| J19     | COMP_L_CH3_N | D, I                      | Differential input terminated | Inverted Low Comparator Signal for Channel 3.   |
| M1      | COMP_L_CH0_T | A, I, O                   | Analog                        | Center Tap. Center tap of two 50 Ω resistor terminations for the low comparator differential inputs of Channel 0.                         |

# ADATE207

| Pin No.   | Mnemonic             | Input/Output <sup>1</sup> | Type                   | Description   |
|---|----------------------|---------------------------|------------------------|---|
| H2  | COMP_L_CH1_T         | A, I, O                   | Analog                 | Center Tap. Center tap of two 50 Ω resistor terminations for the low comparator differential inputs of Channel 1.                                 |
| M20   | COMP_L_CH2_T         | A, I, O                   | Analog                 | Center Tap. Center tap of two 50 Ω resistor terminations for the low comparator differential Inputs of Channel 2.                                 |
| H19   | COMP_L_CH3_T         | A, I, O                   | Analog                 | Center Tap. Center tap of two 50 Ω resistor terminations for the low comparator differential inputs of Channel 3.                                 |
| M4  | COMP_H_CH0_T         | A, I, O                   | Analog                 | Center Tap. Center tap of two 50 Ω resistor terminations for the high comparator differential inputs of Channel 0.                                |
| H3  | COMP_H_CH1_T         | A, I, O                   | Analog                 | Center Tap. Center tap of two 50 Ω resistor terminations for the high comparator differential inputs of Channel 1.                                |
| M17   | COMP_H_CH2_T         | A, I, O                   | Analog                 | Center Tap. Center tap of two 50 Ω resistor terminations for the high comparator differential inputs of Channel 2.                                |
| H18   | COMP_H_CH3_T         | A, I, O                   | Analog                 | Center Tap. Center tap of two 50 Ω resistor terminations for the high comparator differential inputs of Channel 3.                                |
| W15, V15, Y16, W16, Y17,<br>W17, U16, V17, U18, T17,<br>U19, U20, T19, T20, R18, R19<br>U13 | CS_AD[15:0]<br>CS_AS | I, O<br>I                 | LVC MOS25<br>LVC MOS25 | Bidirectional Multiplexed Address/Data Bus for CSR Register Access. Clocked by MCLK.<br>Address Strobe for the Address/Data Bus. Clocked by MCLK. |
| V14   | CS_RW_B              | I                         | LVC MOS25              | Read/Write Bar Signal for the Address Data Bus. High for reads. Clocked by MCLK.  |
| Y15   | CLKGEN_MD_EN         | I                         | LVC MOS25              | Mode Pin for Clock Generation. Tie to Logic low for normal operation.   |
| L1  | MCLK_P               | D, I                      | LVC MOS25              | Positive Portion of the Master Clock Signal.  |
| K2  | MCLK_N               | D, I                      | LVC MOS25              | Negative Portion of the Master Clock Signal.  |
| R4  | RESET_B              | I                         | LVC MOS25              | Reset Bar. Active low power-on reset signal.  |
| D19   | TDI                  | I                         | LVC MOS25              | Scan Chain Data In. Tie to Logic high for normal operation.   |
| C8  | TDO                  | O                         | LVC MOS25              | Scan Chain Data Out.  |
| A7  | TCK                  | I                         | LVC MOS25              | Scan Chain Clock. Tie to Logic high for normal operation.   |
| D18   | TMS                  | I                         | LVC MOS25              | Scan Chain Mode. Tie to Logic high for normal operation.  |
| E17   | TRST_B               | I                         | LVC MOS25              | Active Low Scan Chain Reset. Tie to Logic low for normal operation.   |
| R1  | REF_1K               | A, I, O                   | Analog                 | Controls the output current of the differential open drain outputs.   |
| P3  | T_DIODE              | A, I, O                   | Analog                 | Thermal Sensing Diode Anode. Force current and measure voltage to measure die temperature stability.  |
| T2  | TESTMODE             | I                         | LVC MOS25              | Must be connected to VSS.   |
| F2, F1, F19, F20, T1, R3, R2,<br>R20, N4, N17, P18  | NC                   |                           |                        | No Connect. Must be left unconnected.   |
| R17, U15, D9, D11, D12, D13,<br>U10, U9, V7, V5   | SHIELD<br>IOVSS      | A, I, O, P<br>P           | GND<br>GND             | Connect to VSS.<br>Power, 0.0 V.  |
| U8, U6, T18, V16  | IOVDD                | P                         | VDD                    | Power, 2.5 V.   |
| C9, C11, C13, C15, V11, V9  | IOVDD                | P                         |                        | Power, 2.5 V.   |
| A3 to A1  | VSS                  | P                         |                        | Power, 0.0 V  |

| <b>Pin No.</b>  | <b>Mnemonic</b> | <b>Input/Output<sup>1</sup></b> | <b>Type</b> | <b>Description</b> |
|---|-----------------|---------------------------------|-------------|--------------------|
| Y20 to Y18, Y12, Y11, Y8, Y3 to Y1, W20, W1, V20, V1, N20, N1, K20, K1, J20, J1, C20, C1, B20, B1, A20 to A18, A13, A10, A9                     | VSS             | P                               | GND         | Power, 0.0 V.      |
| W19, W18, W3, W2, V19, V18, V3, V2, U17, U14, U11, U7, U4, P17, P4, K17, K4, G17, G4, D17, D14, D10, D7, D4, C19, C18, C3, C2, B19, B18, B3, B2 | VDD             | P                               | VDD         | Power, 2.5 V.      |

<sup>1</sup> A = analog, D = differential, I = input, O = output, P = power.

## THEORY OF OPERATION

### WAVEFORM MEMORY

Pattern data is used to address the waveform memory and is eight bits wide per channel, supporting 256 unique waveforms. The data width of the waveform memory is 26 bits wide per event or 104 bits wide per pin. The waveform memory data bits are partitioned into two fields, a 22-bit wide delay field, and a 4-bit event code field. The waveform memory is dual port allowing CPU access during pattern bursting.

Pattern data is used as a pointer to one of the defined 256 waveforms, and can be partitioned into vector data and a time set pointer. Using three bits of vector data for the pin state, the other five bits can be used as 32 possible time sets. Supporting dual I/O per cycle, two sets of 3-bit vector data can be used in combination with two bits of a time set pointer providing four possible time sets. A straightforward trade off in time sets vs. device vectors per tester cycle is possible.

Pattern data is qualified with the input signal PAT\_DATA\_VALID. When asserted, the pattern data is evaluated. When not asserted, events and timing edges are disabled and the input pattern data is ignored.

### EVENT GENERATORS

Each channel has four programmable event generators. Each event generator inputs a delay, an event code from the waveform memory, and an 8-bit INPUT\_DELAY. The waveform delay and the 8-bit INPUT\_DELAY combine to produce programmable delays from T0 cycle starts. Each programmable delay can span up to 4 T0 periods and up to 163 μs with a nominal delay resolution of 39.06 ps. There are 16 possible events. These events are compatible with STIL waveform events, as shown in Table 8, to create all of the conventional drive and compare formats.

There is a programmable pipeline delay with 2.5 ns resolution between the drive events and the compare events allowing for round trip delay (RTD) compensation.

### DELAY GENERATION

Each of the four events per channel has an independent delay generator (D0, D1, D2, and D3). Each delay generator triggers from a period start using either T0 or C0 periods. A delay value is the sum of three values: the user programmed delay that is programmed in waveform memory, a calibration delay indexed by the selected event, and a global INPUT\_DELAY signal that is used across all channels. These delays are summed and triggered from the selected period start. The delays are generated using counts of 2.5 ns plus a 6-bit analog vernier delay. The analog vernier delay is expressed as a binary fractional value of 2.5 ns.

**Table 8. STIL-Compatible Events**

| Code | Action               | Description   |
|------|----------------------|---|
| N    | No action            | Default.  |
| 0    | Drive low            | Sets driver to low state.                                   |
| 1    | Drive high           | Sets driver to high state.                                  |
| Z    | Force off            | Disables the driver and enable the load.                    |
| U    | Force up             | Force Logic high. Enables the driver and disables the load. |
| D    | Force down           | Force Logic low. Enables the driver and disables the load.  |
| P    | Force prior          | Enable the driver.  |
| L    | Compare low          | Edge compare low.   |
| H    | Compare high         | Edge compare high.  |
| X    | Compare unknown      | Don't care. Can be used to close window compare.            |
| T    | Compare off          | Edge compare midband.                                       |
| V    | Compare valid        | Edge compare valid logic level.                             |
| l    | Compare low window   | Start window compare against Logic low.                     |
| h    | Compare high window  | Start window compare against Logic high.                    |
| t    | Compare off window   | Start window compare against midband.                       |
| v    | Compare valid window | Start window compare for valid logic level.                 |

The delay generator uses a value expressed as the binary value bbbbbbbbbbbbbbbb.vvvvvv where there are 16 bits (b) left of the binary point and 6 bits (v) right of the binary point. The b bits represent an integer number of counts of 2.5 ns and the v bits represent a fractional value of 2.5 ns with a resolution of 2.5 ns/64 or 39.06 ps.

### VERNIER RESOLUTION

The analog vernier delays are implemented using a modulo 60 algorithm and dividing 2.5 ns into 60 even parts. Because the delays are expressed using a binary representation, an internal mapping algorithm generates the delays. Ignoring analog timing errors, the actual delay produced for the six bits of vernier value (vvvvvv) is expressed as

$$Delay = (2.5 \text{ ns}/60) \times INT (.5 + (vvvvvv \times 60/64))$$

This mapping results in an inherent discontinuity in the linearity curve.

Figure 7 shows the linearity of a typical vernier. On certain delay codes, the vernier exhibits non-monotonicity. To obtain a monotonic delay curve, these code jumps should be ignored by the user.

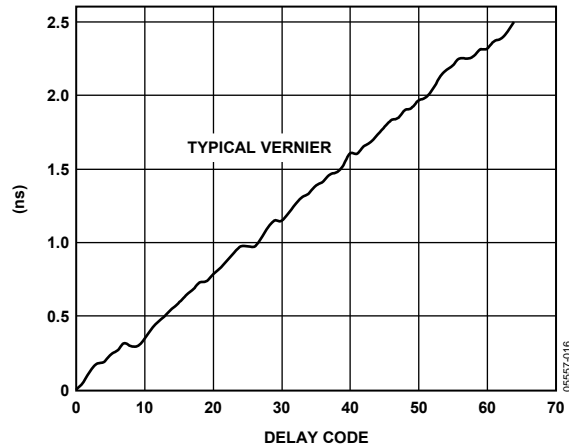


Figure 7. Delay Curve of a Typical Vernier

## DRIVE AND COMPARE LOGIC

The drive logic consists of two high speed differential reset/set flip flops controlling the drive data and drive enable signals. They are controlled from the four events per channel, enabled via decode of the event code. In addition, the flip flops can be controlled from an adjacent channel event in a multiplex mode. The four-channel device can be multiplexed such that there are either four pins with four events each, or two pins with eight events each.

The compare logic supports dual level comparators for voltage comparisons against  $V_{OL}$  and  $V_{OH}$  levels. The comparator outputs are checked against four possible states, low (less than  $V_{OL}$ ), high (greater than  $V_{OH}$ ), off or midband (between  $V_{OL}$  and  $V_{OH}$ ), and valid (either above  $V_{OH}$  or below  $V_{OL}$ ). The high comparator inputs (COMP\_H) are Logic 1 when the DUT output is greater than  $V_{OH}$ . The low comparator inputs (COMP\_L) are Logic 1 when the DUT output is greater than  $V_{OL}$ .

The compare logic supports both single edge and window comparisons and can support up to four comparisons per cycle using the four events. Each comparison can generate a fail, accumulating

per pin with individual fail counters. Fail outputs are resynchronized to T0 and output for fail processing.

Fails can be masked on a per edge basis and match mode is supported. Masking of failures prevents incrementing of the fail counter and the setting of the accumulated fail registers. It does not prevent the fail signals from reflecting the comparison state of the expect edge. Strobe comparison fails are associated with the timing edge that generates the strobe.

A pair of timing edges can be used to create a window of time over which to check the DUT output levels. Timing Edge D0 and Timing Edge D1 form a window with D0 opening the window and D1 closing the window. Timing Edge D2 and Timing Edge D3 are similarly employed for window comparisons. Window comparison fails are associated with the timing edge that generates the window close strobe. Window failures only come out on D1 or D3 edges. Table 9 shows the relationship between the edges on which the fails are detected and the bit position on the PAT\_FAIL pins.

Table 9. Edge and Window Fail Bit Descriptions

| Bit | Fail <sup>1</sup> | Description                        | Fail Mask Bit |
|-----|-------------------|------------------------------------|---------------|
| 3   | PAT_FAIL_x[3]     | Edge D3 Fail and Window D2/D3 Fail | PAT_MASK[3]   |
| 2   | PAT_FAIL_x[2]     | Edge D2 Fail                       | PAT_MASK[2]   |
| 1   | PAT_FAIL_x[1]     | Edge D1 Fail and Window D0/D1 Fail | PAT_MASK[1]   |
| 0   | PAT_FAIL_x[0]     | Edge D0 Fail                       | PAT_MASK[0]   |

<sup>1</sup> PAT\_FAIL\_x refers to Channel 0 to Channel 3.

PAT\_MASK inputs mask failures across the channels for four possible edges. Asserting PAT\_MASK[0] masks failures for Timing Edge D0. When failures are masked, the accumulated fail register is not asserted, and the fail counts are not incremented. The PAT\_FAIL\_x outputs remain asserted if the expected vector is not seen allowing for match mode applications.

# ADATE207

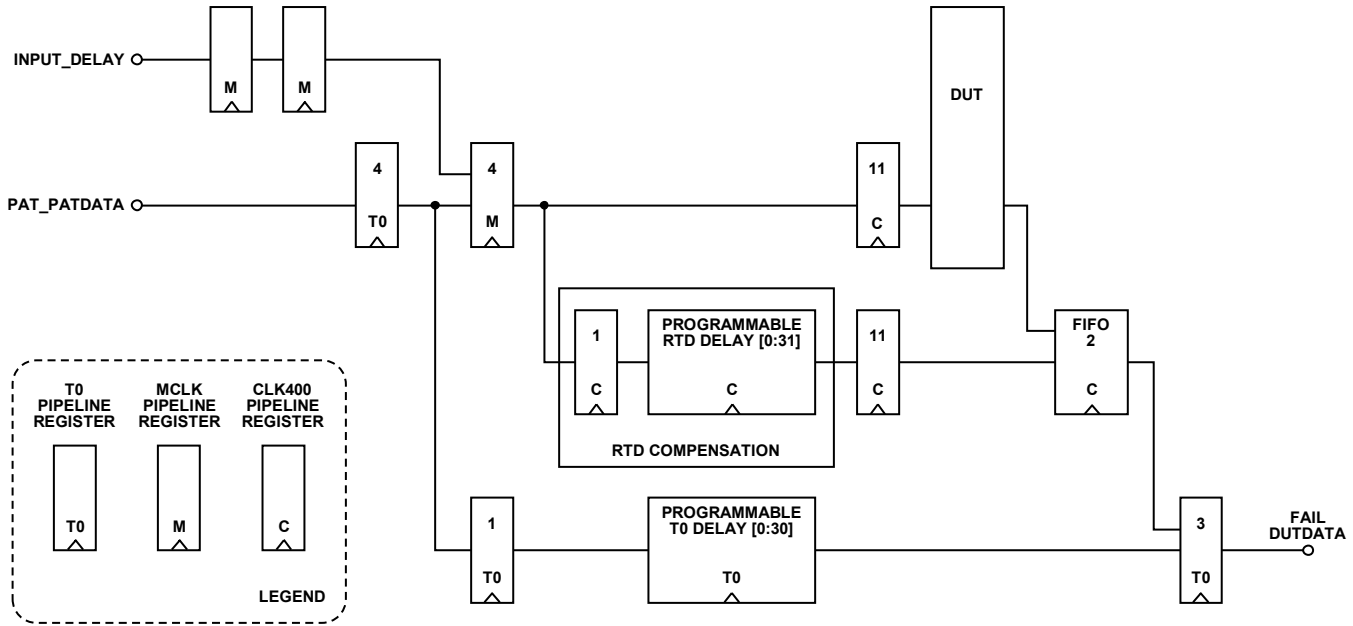


Figure 8. Pipeline Diagram

Dual comparator inputs of the even channels (0 and 2) are routed to the compare logic of adjacent channels to provide  $\times 2$  multiplexing. In  $\times 2$  multiplexing, Pin 0 and Pin 2 comparator inputs route to Pin 1 and Pin 3, respectively, providing up to eight compare events per cycle on the multiplexed channels.

## PIPELINE CONSIDERATIONS

For proper functionality, drive actions, compare events, and fail accumulation mask requirements need to be coordinated within the device by adjusting the internal delay paths. The ADATE207 provides two programmable delay paths, the RTD pipeline and the T0 alignment pipeline, as shown in Figure 8. The pattern input and output signals are synchronous with the MCLK and pipelined on T0 periods.

Figure 8 shows the pipeline diagram of the ADATE207. The T0 delay pipeline is programmable. It must be sufficiently deep to cover the round trip delay compensation, yet no deeper than the FIFO depth of the fail logic.

The minimum T0 alignment pipeline depth needed is dependent on the programmed RTD compensation. The programmed T0 alignment pipeline depth must conform to the values listed in Table 10. The maximum number of 30 can be used in any circumstance. Depending upon the MCLK rate and the programmed RTD compensation, a smaller pipeline depth can be used.

Table 10. T0 Pipeline Requirements

| T0 Alignment Pipelines |         |
|------------------------|---------|
| Minimum                | Maximum |
| $10.5 + \text{RTD}/4$  | 30      |

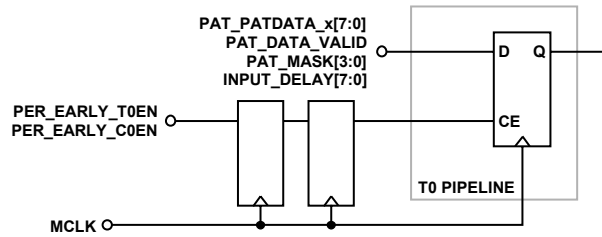


Figure 9. PER\_EARLY\_T0EN Pipelining

Figure 9 shows the pipelining of PER\_EARLY\_T0EN (the period start signal). It is pipelined with MCLK to control the T0 pipelines within the chip. It uses two MCLK pipelines within the chip to distribute the PER\_EARLY\_T0EN signal to all of the T0 pipeline registers.

PER\_EARLY\_T0EN and PER\_EARLY\_COEN, the period start signals, and the global INPUT\_DELAY signals are pipelined into the ADATE207 with different depths. The PER\_EARLY\_T0EN and PER\_EARLY\_COEN are pipelined with two MCLK pipelines prior to the enable pins of the T0 clocked pipelines. The INPUT\_DELAY signals are not pipelined on T0 clock pipelines, but have only two MCLK pipelines prior to use by the timing generators.

Figure 10 shows the relative pipelines for INPUT\_DELAY and the period enables.

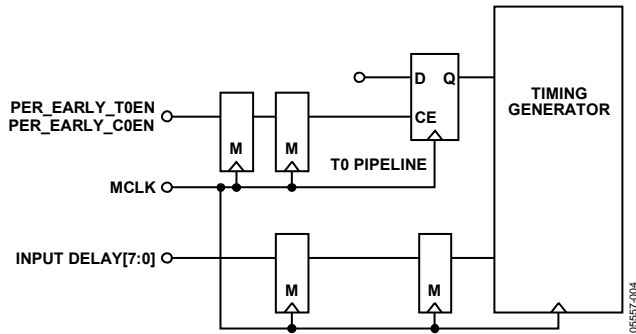


Figure 10. INPUT\_DELAY Pipeline

Figure 11 shows the timing of PER\_EARLY\_T0EN and the associated period delay offset, INPUT\_DELAY. The INPUT\_DELAY signal is added to each programmed delay across all channels. This input delay can change for each PER\_EARLY\_T0EN period.

The delay from the pattern inputs to the DUT is four T0 pipeline delays, plus four MCLK pipeline delays, plus approximately 27.5 ns of analog delay, plus any programmed delay as shown in Figure 8.

The delay from the pattern inputs to the fail outputs is eight PER\_EARLY\_T0EN periods plus the programmed T0 alignment pipeline depth.

**DUT CAPTURE**

Each compare event can strobe the state of the dual comparators signals for each pin. These are resynchronized to T0 periods and output for use in mixed signal capture applications. There are four DUT capture pins per channel, PAT\_DUTDATA\_x and each can be configured to output the high or low comparators of each of the four possible compare events.

**TMU MULTIPLEXER**

The ADATE207 supports time measurement via an external time measurement unit (TMU) in the following configurations:

- Connect the high comparator output of any pin to TMU\_ARM, TMU\_START, or TMU\_STOP.
- Connect the low comparator output of any pin to TMU\_ARM, TMU\_START, or TMU\_STOP.

The time measurement unit select logic provides time and frequency measurement capability from the high or low comparator outputs of any digital pin. To accomplish this task, independent multiplexers direct the high and low

comparator outputs of the digital pins to the time measurement unit signals, TMU\_ARM, TMU\_START, and TMU\_STOP. Off-chip control logic must select the appropriate TMU bus output signal from the ADATE207 and direct its selection to the TMU. The TMU outputs are high speed, differential 8 mA drivers and can be tristated for bus applications.

**LOW JITTER CLOCK DRIVER**

The ADATE207 has 2-to-1 multiplexers in the DR\_DATA\_CH3 and DR\_DATA\_CH2 output drivers to allow an external low jitter clock signal to drive the DCL. This feature is not available on the DR\_DATA\_CH0 and DR\_DATA\_CH1 outputs.

**CLOCK GENERATOR MODE**

The ADATE207 incorporates a clock generation mode to allow it to be used as a programmable clock generator. In this mode, it is possible for each of the four channels to produce an independently programmable clock.

To activate this mode, PER\_EARLY\_T0EN and the CLKGEN\_MD\_EN input need to be set high. In this mode, PAT\_DATA\_VALID has no effect. The pattern data signals (PAT\_PATDATA\_x) are interpreted as period offsets and the PAT\_MASK[x] inputs are used as period start enables. See Table 11 for details of signal mapping. The use model for this mode is

- Program drive high/drive low operations at Address 0 in the waveform memory. Depending on the delays, the value per edge, the duty cycle, and the start level can be adjusted per channel
- Four different clocks can be controlled by using PAT\_MASK[N] as equivalent period start signals for an individual Channel N.
- Skew/insertion delay of the clocks can be adjusted individually by using I\_PAT\_PATADATA\_N as an INPUT\_DELAY signal for Channel N.

**DEVICE RESET**

The ADATE207 has an internal PLL and FIFO that require reset upon power up and changes to the MCLK input. The device has three reset controls.

- RESET\_B input pin for hard resets.
- CPU writable control bit (Bit 00 in Register 0x19) for soft resets.
- CPU writable control bit (Bit 03 in Register 0x19) to reset errors and internal FIFOs.

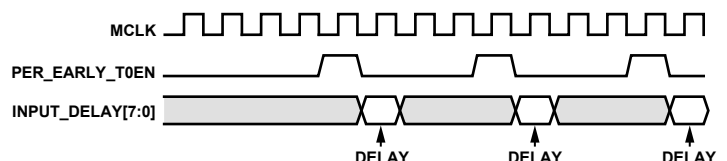


Figure 11. Timing Diagram for PER\_EARLY\_T0EN and INPUT\_DELAY

# ADATE207

After the power and MCLK inputs are stable, the device must be reset using the hard reset and error reset bits. The soft reset can be used to initialize registers at any time and does not reset the PLL or FIFOs.

There are six rules of reset.

Rule 1—on power up, keep the hard reset pin (RESET\_B) asserted.

Rule 2—if MCLK is unstable, keep the hard reset pin (RESET\_B) asserted.

Rule 3—after MCLK is stable, keep the hard reset pin (RESET\_B) asserted for at least 20  $\mu$ s.

Rule 4—after the 20  $\mu$ s of Rule 3 has elapsed, assert the error reset bit (Bit 03 in Register 0x19).

Rule 5—the hard reset signal (RESET\_B) can be asserted asynchronously to MCLK, but upon deassertion, must make setup and hold requirements upon the MCLK.

Rule 6—the minimum pulse width of RESET\_B must be at least three MCLK periods.

**Table 11. Comparison Between Normal Mode and Clock Generation Mode**

|                                  | <b>Normal Mode (CLKGEN_MD_EN=0)</b>  | <b>Clock Generator Mode (CLKGEN_MD_EN=1)</b>  |
|----------------------------------|--|---|
| <b>Period Start</b>              | A single signal for all four channels, I_PER_EARLY_T0EN.   | Four signals, one per channel; PAT_MASK[N] operates as a period start signal for channel N.                           |
| <b>Waveform Memory Selection</b> | Each channel N is selected via the I_PAT_PATDATA_N vector every rising edge of I_MCLK.           | Waveform memory location is fixed at Address 0.   |
| <b>Input Delay</b>               | A single vector adjust input delay for all channels, INPUT_DELAY.                                | Four vectors are available, one per channel. For each Channel N, PAT_PATDATA_N operates as INPUT_DELAY for Channel N. |
| <b>Fail Masking</b>              | Edge N for all channels can mask the fail operation every rising edge of I_MCLK via PAT_MASK[N]. | No masking of fail operations is available.   |



**TEMPERATURE DIODE**

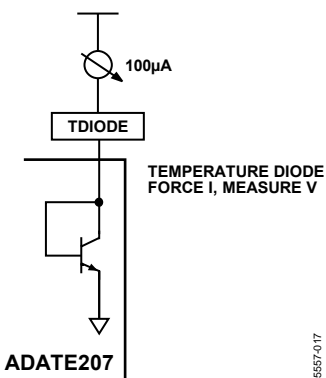


Figure 12. Block Diagram of Temperature Diode

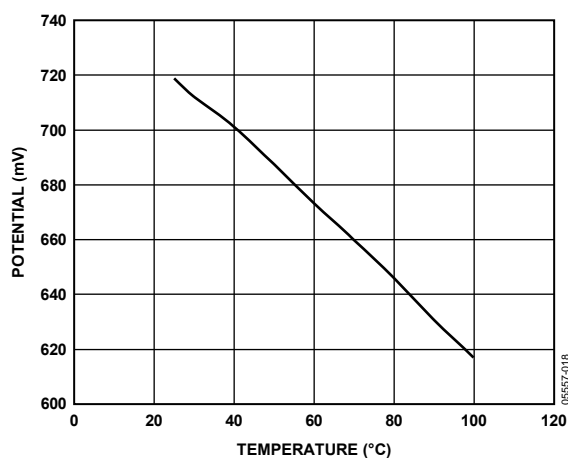


Figure 13. Characteristic of Temperature Diode

The block diagram of the temperature diode is shown in Figure 12, and its Output Voltage  $V_s$  temperature characteristic is shown in Figure 13. Note in Figure 12 that 100  $\mu$ A is forced into the diode.

**HIGH SPEED DIFFERENTIAL DCL INTERFACE**

The ADATE207 uses a differential interface for connections to the DCL. The comparator inputs have on-chip 50  $\Omega$  resistors for termination, configured to support either 50  $\Omega$  parallel termination or 100  $\Omega$  differential termination. The comparator inputs are compatible with LVPECL, LVDS, and most CML outputs. For PECL termination, connect the termination pin to  $V_{CC} - 2.0$  V or to an appropriate resistor to ground. For LVDS termination, do not connect the termination pin. For CML termination, either do not connect the termination pin or connect the termination pin to an appropriate supply.

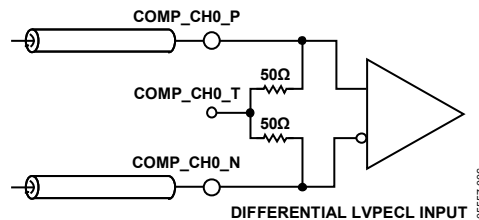


Figure 14. Differential Input with Termination Resistors

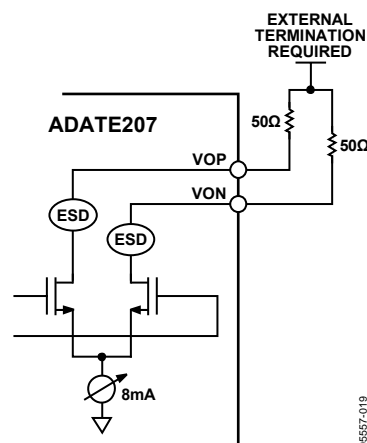


Figure 15. Differential Open Drain Output

The driver outputs are differential open-drain outputs. The outputs require termination through an external resistor to a positive supply and can be configured to be compatible with most PECL, and CML inputs.

Their output currents can be programmed with a bias resistor to ground on the REF\_1K pin. If the REF\_1K pin is left open (>100 k $\Omega$ ) then the drive current is a nominal 8 mA. If a resistor is tied from REF\_1K to ground, then the drive current is adjustable with the resistance value. A 1 k $\Omega$  resistor yields a nominal 8 mA output current swing. Less resistance results in greater current. The relationship of drive current to resistance is given approximately by

$$Drive\_Current = 8 V / R_{EXT}$$

Best practice suggests limiting the external resistance value between 800  $\Omega$  and 2500  $\Omega$ .

## CONTROL AND STATUS REGISTER INTERFACE

The ADATE207 uses a general-purpose, 16-bit bidirectional, multiplexed address data bus for computer access of the control and status registers of the part. All bus activity is registered at the interface synchronous to the master clock (MCLK), which is also used by the part for delay timing. Operations the bus supports include random access reads and writes, as well as the ability to access blocks of registers in burst.

A description of each register is contained in the Control and Status Registers section of this document.

### READ/WRITE FUNCTION

The control and status register (CSR) bus interface supports the following functionalities:

- The ability to enable groups of channels for write operations, allowing simultaneous programming across all the designated channels.
- The ability to select any single channel, or group of channels, to poll (read) status (where the return value is the bitwise logical OR of the status returned from each of the designated channels).
- The ability to read or write in a single burst operation to a sequential block of registers significantly reducing the time required to program the internal memories.

In multiplexing the address and data on the bus, each operation takes at least two cycles to complete. In all cases, read or write, the first cycle provides the 16-bit address. This cycle is followed

by one or more data cycles. The quantity of data cycles is dependent on the activity on the CS\_AD and CS\_RW\_B lines, which determine the type of operation to perform.

The 16-bit address provided in the first cycle is comprised of two 5-bit address fields and an additional control field of 6-bits as shown in Table 12. The control field extends the associated 5-bit register address in use by steering the address and data to one or more banks of registers within the part.

Register address space consists of five identifiable banks or groups of register implementations. These include one set of registers for each of the four channels and a fifth or common register space. Five bits of addressing are available to all five address spaces. The bank of registers for each channel duplicates the other in function and address, allowing a single write operation to be steered to multiple channels for simultaneous programming. The fifth bank of registers provides shared functions, common to all four channels, whose address range is mapped outside of the register address space used by the individual channel functions.

All single register, random access operations are performed with the burst bit of the control field disabled. For these types of transactions, the 5-bit stop address field is ignored, and the 5-bit start address field is used as the register address of the operation.

**Table 12. Address Bus Decoding**

| Address Bits | Description   |
|--------------|---|
| Bit 15       | Burst Enable.<br>1 = initiate burst mode operation.<br>0 = enable normal read or write transactions.  |
| Bit 14       | Common Enable. When set to 1, enables reads or writes to the common registers. This enable is valid in either normal or burst modes.  |
| Bit 13       | Channel 3 Enable. When set to 1, enables reads or writes to Channel 3. This enable is valid in either normal or burst modes.  |
| Bit 12       | Channel 2 Enable. When set to 1, enables reads or writes to Channel 2. This enable is valid in either normal or burst modes.  |
| Bit 11       | Channel 1 Enable. When set to 1, enables reads or writes to Channel 1. This enable is valid in either normal or burst modes.  |
| Bit 10       | Channel 0 Enable. When set to 1, enables reads or writes to Channel 0. This enable is valid in either normal or burst modes.  |
| Bits[09:05]  | Burst Stop Address. Used to set the last CSR address to read to, or write from, before looping back to the burst start address. This address is only valid when burst enable is set to 1.   |
| Bits[04: 00] | CSR Address (Burst Enable = 0). Used to set the CSR address for reading or writing.<br>Burst Start Address (Burst Enable = 1). Used to set the first CSR address to read to, or write from, when bursting data. Burst writes or reads incrementally access successive registers up to, and including, the burst stop address. |

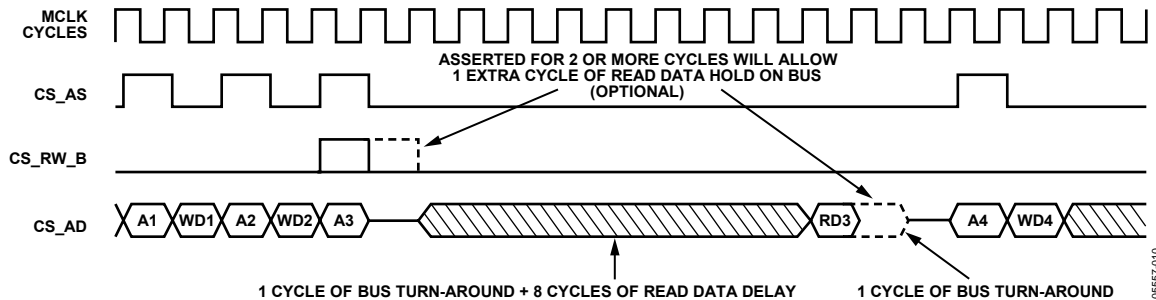


Figure 16. Bus Interface Function Timing Diagram

Figure 16 shows the bus functional timing while performing both read and write operations. Highlights include

- The bus implements a synchronous protocol, where read and write transactions are slotted into MCLK cycles.
- The CS\_AD bus lines, 2.5 V CMOS signals, can be tri-stated. To implement a multidrop bus, strict adherence to proper bus turnaround from reads to writes (and vice versa) is required.
- The initial bus turn around time for a read operation is indicative of the internal path length inside the ADATE207.
- After accepting a read transaction, the ADATE207 waits one MCLK cycle for bus turnaround, and then turns on its bus drivers to precharge the bus.
- There must be at least one MCLK cycle between a read followed by a write transaction, and between the address and read data cycles due to bus turnaround. The ADATE207 tristates the bus on the MCLK after it has finished driving the read data.
- A write transaction can be followed immediately by a read transaction. Likewise, a series of write transactions can be grouped together with no dead time in between transactions.
- To ease board timing, holding the CS\_RW\_B signal high allows the read data to stay on the bus one extra MCLK cycle. One application allows two clock cycles for read data to propagate to its destination. Note that holding CS\_RW\_B high for more than two cycles has no effect.

All external bus signals come into the ADATE207 and are registered by the MCLK. Then, the registered signals are used to interface to the four channel-specific register banks and the common block. Each register bank receives an address, data, the read/write signal, and a block select. Even though some portions of the internal timing circuitry run at a high rate than the master clock, all of the register blocks run at the master clock, MCLK, rate.

When a block is selected, a read or write operation is performed. For read operations, data is enabled onto the read data bus of a block, and that data is OR'ed with four other block-specific RDATA busses to form the read data that is sent from the

ADATE207. Note that the read data takes more than one clock cycle. The bus interface state machine controls the output enable accordingly.

The write data is reregistered (retimed) to require only one MCLK cycle to write the data into the targeted register (or registers, in the case where multiple channels are selected).

### Burst Mode

Burst mode is a special mode that allows for successive reads or writes with a predetermined addressing scheme. Figure 17 shows the burst mode operation of the bus. The primary purpose of burst mode is to allow fast writes into the waveform memory for each channel. Burst mode is initiated and completely controlled via the bus interface pins of the ADATE207.

Burst mode is initiated with a special address cycle, as defined in Table 12. Burst mode cycles are shown in Figure 17 through Figure 19 and incorporate the following conditions:

- The completion of burst mode is controlled by the address strobe signal. If address strobe is deasserted in a particular MCLK cycle, that becomes the last cycle of the burst.
- Only a series of burst writes or reads can occur. There can be no mixing of reads and writes in a burst sequence.
- The bus interface state machine takes over the internal register address only and the read/write selection signal.
- The CSR blocks and channel-specific memory accesses operate the same in burst mode as they do in the normal read/write transactions.
- There must be at least two MCLK cycles between a read burst followed by another read or write transaction, and between the address and read data cycles due to bus turnaround. The ADATE207 tristates the bus on the MCLK after it is finished driving read data, as shown in Figure 18.
- When extended read data hold mode is selected during a read burst, the internal address bus increments every other cycle, causing read data on the CS\_AD bus to change every other cycle, as shown in Figure 19.

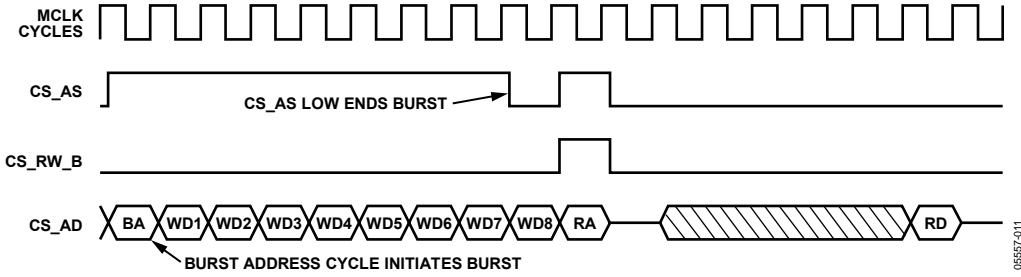


Figure 17. Write Burst Mode Functional Timing

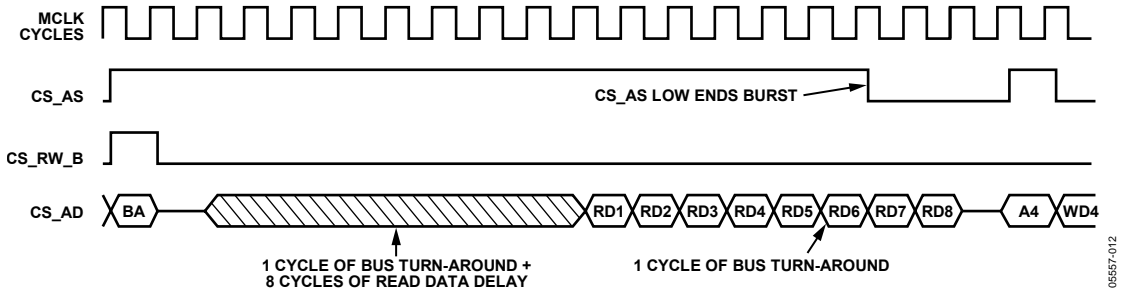


Figure 18. Read Burst Mode Functional Timing

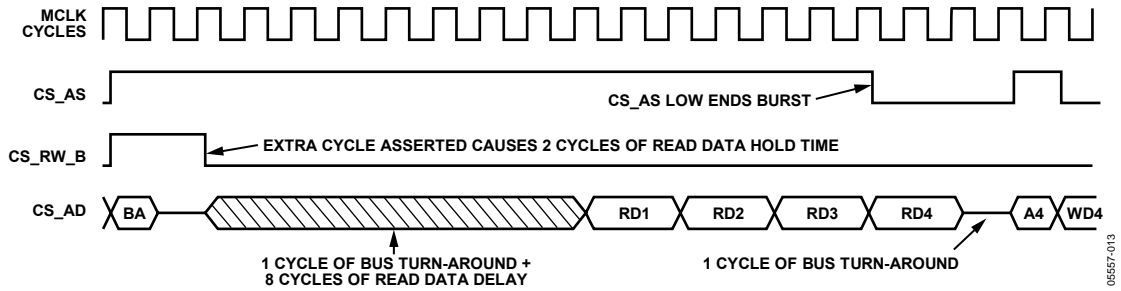


Figure 19. Read Burst Mode with Read Data Hold Functional Timing

## CONTROL AND STATUS REGISTERS

This section details the breakdown of the configuration and status registers in the ADATE207. An address map provides the locations of all registers, and the detailed descriptions that follow show how each register is used.

**Table 13. Address Map**

| Chip Address | Register Description  |
|--------------|---|
| 0x00         | Comparator and Fail Status. Channel-specific address space. |
| 0x01         | Fail Counter Low.   |
| 0x02         | Fail Counter High.  |
| 0x03         | Static Configuration.                                       |
| 0x04         | Dynamic Configuration.                                      |
| 0x05         | Waveform/Calibration Memory Address.                        |
| 0x06         | Waveform D0 Vernier Delay and Action.                       |
| 0x07         | Waveform D0 Course Delay.                                   |
| 0x08         | Waveform D1 Vernier Delay and Action.                       |
| 0x09         | Waveform D1 Course Delay.                                   |
| 0x0A         | Waveform D2 Vernier Delay and Action.                       |
| 0x0B         | Waveform D2 Course Delay.                                   |
| 0x0C         | Waveform D3 Vernier Delay and Action.                       |
| 0x0D         | Waveform D3 Course Delay.                                   |
| 0x0E         | Calibration Memory D0.                                      |
| 0x0F         | Calibration Memory D1.                                      |
| 0x10         | Calibration Memory D2.                                      |
| 0x11         | Calibration Memory D3.                                      |
| 0x12         | DUT Data Selection.   |
| 0x13 to 0x18 | Unused. Reserved.   |
| 0x19         | Software Resets. Common register address space.             |
| 1x1A         | Round Trip Delay Value.                                     |
| 0x1B         | T0 Alignment Pipeline Depth.                                |
| 0x1C         | TMU Channel Select.   |
| 0x1D         | Channel Multiplex Enable.                                   |
| 0x1E         | Channel Status.   |
| 0x1F         | Chip Information.   |

## CHANNEL SPECIFIC AND COMMON REGISTERS

Detailed register descriptions divided into channel-specific and common registers.

### Channel Specific Registers

**Name:** Comparator and Fail Status

**Address:** 0x00

**Type:** Read

**Table 14. Comparator and Fail Status**

| Position    | Description  | Reset State |
|-------------|--|-------------|
| Bits[15:08] | Not used.  | 0x00        |
| Bit 07      | Edge Error: Edges Longer Than 4 T0 Cycles. This occurs when the edge delay counters are reloaded before they complete counting down, thus, causing a missing edge.   | 0x0         |
| Bit 06      | Edge Error: Out of Order Edge Strokes. This occurs when one or more edge delay counters complete counting out of order (wrong action code is paired with an edge), or two edge delay counters complete counting at the same CLK400 edge (causing a missing edge).  | 0x0         |
| Bit 05      | Edge Error: Adder Overflow. This occurs when the residue or calibration constant adders overflow causing edge delays to wrap around. This results in incorrect edge timing.  | 0x0         |
| Bit 04      | Edge Error: Two Edges Too Close. This occurs when either the drive or compare verniers receive nonincreasing delay values in back-to-back CLK400 cycles. The verniers become unsynchronized and cause incorrect edge timing thereafter.  | 0x0         |
| Bits[03:00] | Accumulated Fail Registers. These four data bits provide up to four possible DUT failures—one for each edge delay. The bits are decoded as follows:<br>Bit 00 = D0 edge or window failures.<br>Bit 01 = D1 edge failure or D0/D1 window failures.<br>Bit 02 = D2 edge or window failures.<br>Bit 03 = D3 edge failure or a D3/D2 window failure. | 0x0         |

**Name:** Fail Counter Low

**Address:** 0x01

**Type:** Read/Write

**Table 15. Fail Counter Low**

| Position    | Description  | Reset State |
|-------------|--|-------------|
| Bits[15:00] | Fail Counter Data Low Order Bits. This field contains the 16 LSBs of the fail counter. This register and the fail counter data high register represent a binary encoded, 32-bit, number of fail events (up to 4 fail events per T0 period) detected during the last pattern burst.<br>The CPU reads this register while the pattern is bursting, capturing a snapshot of the fail count at the time of reading the low register. Writes during pattern burst can produce indeterminate results if fails are occurring during the write cycle.<br>The CPU must read the contents of the counter by performing sequential reads from the fail counter low register followed by a read from the fail counter high register. Reading from the fail counter low register performs the transfer of data from the counter to a temporary holding register. Reading from the fail counter high register reads solely from the temporary holding register.<br>For diagnostics, the CPU can preload the contents of the counter by performing sequential writes to the Fail Counter CHx data low register followed by a write to the Fail Counter Chx data high register. Writing to the Fail Counter Chx data high register performs the transfer of data from temporary holding registers to the 32-bit counter. | 0x0000      |

**Name:** Fail Counter High

**Address:** 0x02

**Type:** Read/Write

**Table 16. Fail Counter High**

| Position    | Description   | Reset State |
|-------------|---|-------------|
| Bits[15:00] | Fail Counter Data High. This field contains the 16 MSBs of the fail counter. See Table 15, the fail counter low register, for more information. | 0x0000      |

**Name:** Static Configuration

**Address:** 0x03

**Type:** Read/Write

**Table 17. Static Configuration**

| Position    | Description   | Reset State |
|-------------|---|-------------|
| Bits[15:04] | Not Used.   | 0x000       |
| Bit 03      | Ch_Data_Low.<br>A high with edges disabled produces a low level output from the drive data (DR_DATA) signal regardless of pattern data.<br>Pulsing this bit allows the data to be preset to a low level output prior to bursting a pattern.<br>Control of the drive data is pattern data dependent when a pattern is burst.<br>If both Data_High and Data_Low are high, the data is indeterminate.                          | 0           |
| Bit 02      | Ch_Data_High.<br>A high with edges disabled produces a high level output from the drive data (DR_DATA) signal regardless of pattern data<br>Pulsing this bit allows the data to be preset to a high level output prior to bursting a pattern.<br>Control of the drive data is pattern data dependent when a pattern is burst.   | 0           |
| Bit 01      | Ch_Driver_Off.<br>A high with edges disabled produces a low level output from the drive enable (DR_EN) signal, tristating the driver regardless of pattern data.<br>Pulsing this bit allows the driver to tristate prior to bursting a pattern.<br>Control of the driver is pattern data dependent when a pattern is burst.<br>If both Driver_On and Driver_Off are high, the drive enable signal (DR_EN) is indeterminate. | 0           |
| Bit 00      | Ch_Driver_On.<br>A high with edges disabled produces high level output from the drive enable (DR_EN) signal, enabling the driver regardless of pattern data.<br>Pulsing this bit enables the driver prior to bursting a pattern.<br>Control of the driver is pattern data dependent when a pattern is burst.  | 0           |

# ADATE207

**Name:** Dynamic Configuration

**Address:** 0x04

**Type:** Read/Write

**Table 18. Dynamic Configuration**

| Position    | Description  | Reset State |
|-------------|--|-------------|
| Bits[15:05] | Not Used.  | 0x000       |
| Bit 04      | Edge Generation Enable.<br>Low turns off the channel's edge delay generators.<br>High turns on the channel's edge delay generators.  |             |
| Bit 03      | T0 and C0 Select.<br>Low selects T0 as the pattern cycle clock for the edge delay generators.<br>High selects C0 as the pattern cycle clock for the edge delay generators.<br>When in C0 mode, compare events are illegal and treated as no action.  | 0           |
| Bit 02      | Fail Mask.<br>High statically disables channel failures by the Accumulated Fail registers and the fail counter.<br>Low allows use of the pattern fail mask signals.  | 0           |
| Bit 01      | Low Jitter Clock Enable.<br>High statically enables the low jitter clock input onto the channel's drive data output.<br>Low disables the low jitter clock for the channel. This feature only applies to Channel 2 and Channel 3.<br>The low jitter clock signal is not available on Channel 0 and Channel 1. | 0           |
| Bit 00      | Fail Counter Increment.<br>Writing a 1 to this bit creates a pulse to increment the fail counter.<br>Writing a 0 has no effect.  | 0           |

## **Waveform and Calibration Memory Addresses**

To gain access to the timing set memory, the timing set memory address must be programmed to the desired address.

**Name:** Waveform/Calibration Memory Address

**Address:** 0x05

**Type:** Read/Write

**Table 19. Waveform/Calibration Memory Address**

| Position    | Description   | Reset State |
|-------------|---|-------------|
| Bits[15:10] | Not Used.   | 0x00        |
| Bits[09:08] | Waveform Memory Address Auto-Increment. Sets the address to auto-increment on a read from, or write to, the following registers, based on the value programmed into this field:<br>0 = Waveform D0 Course Delay or Calibration Memory D0.<br>1 = Waveform D1 Course Delay or Calibration Memory D1.<br>2 = Waveform D2 Course Delay or Calibration Memory D2.<br>3 = Waveform D3 Course Delay or Calibration Memory D3. | 0           |
| Bits[07:00] | Waveform Memory Programming Address. Sets the address into either the waveform memory or calibration memory.<br>Writing to, or reading from, the Waveform Dx course delay, Waveform Dx vernier delay and action, or calibration memory data registers uses the address value programmed into this register.<br>Reads of this register reflect the current state of the auto-incremented address.                        | 0           |



**Name:** Waveform D0 Vernier Delay and Action

**Address:** 0x06

**Type:** Read/Write

**Table 20. Waveform D0 Vernier Delay and Action**

| Position    | Description  | Reset State |
|-------------|--|-------------|
| Bits[15:10] | D0 Vernier Delay. The vernier delay is represented in binary by the equation, $vvvvvv \times (2.5 \text{ ns}/64)$ .  | Undefined   |
| Bits[09:04] | Not Used.  | 0x00        |
| Bits[03:00] | D0 Action. A binary encoded data field.<br>0x0 = no action.<br>0x1 = drive low.<br>0x2 = drive high.<br>0x3 = force off.<br>0x4 = force on.<br>0x5 = force down.<br>0x6 = force up.<br>0x7 = edge compare low.<br>0x8 = edge compare high.<br>0x9 = edge compare off.<br>0xA = edge compare valid.<br>0xB = open window low.<br>0xC = open window high.<br>0xD = open window high-Z.<br>0xE = open window valid.<br>0xF = compare unknown. | Undefined   |

**Name:** Waveform D0 Vernier Delay and Action

**Address:** 0x07

**Type:** Read/Write

**Table 21. Waveform D0 Course Delay**

| Position    | Description  | Reset State |
|-------------|--|-------------|
| Bits[15:00] | D0 Course Delay. Number of 2.5 ns clock periods to count. When this count is completed, the vernier delay (defined by the D0 vernier value programmed into the Waveform D0 vernier delay and action register) is added to the D0 course delay to place an edge in time. Waveform D0 vernier delay and action must be written immediately before this register for the waveform memory to be written correctly. | Undefined   |

# ADATE207

**Name:** Waveform D1 Vernier Delay and Action

**Address:** 0x08

**Type:** Read/Write

**Table 22. Waveform D1 Vernier Delay and Action**

| Position    | Description   | Reset State |
|-------------|---|-------------|
| Bits[15:10] | D1 Vernier Delay. The vernier delay is represented in binary by the equation, $vvvvv \times (2.5 \text{ ns}/64)$ .  | Undefined   |
| Bits[09:04] | Not Used.   | 0x00        |
| Bits[03:00] | D1 Action. A binary encoded data field.<br>0x0 = no action.<br>0x1 = drive low.<br>0x2 = drive high.<br>0x3 = force off.<br>0x4 = force on.<br>0x5 = force down.<br>0x6 = force up.<br>0x7 = edge compare low.<br>0x8 = edge compare high.<br>0x9 = edge compare off.<br>0xA = edge compare valid.<br>0xF = close window/compare unknown. | Undefined   |

**Name:** Waveform D1Course Delay

**Address:** 0x09

**Type:** Read/Write

**Table 23. Waveform D1 Course Delay**

| Position    | Description   | Reset State |
|-------------|---|-------------|
| Bits[15:00] | D1 Course Delay. Number of 2.5 ns clock periods to count.<br>When this count is completed, add the vernier delay (defined by the D1 vernier value programmed into the waveform D1 vernier delay and action register) to the D1 course delay to place an edge in time.<br>Waveform D1 vernier delay and action must be written immediately before this register for the waveform memory to be correctly written. | Undefined   |

**Name:** Waveform D2 Vernier Delay and Action

**Address:** 0x0A

**Type:** Read/Write

**Table 24. Waveform D2 Vernier Delay and Action**

| Position    | Description  | Reset State |
|-------------|--|-------------|
| Bits[15:10] | D2 Vernier Delay: The vernier delay is represented in binary by the equation,<br>$vvvvvv \times (2.5 \text{ ns}/64)$   | Undefined   |
| Bits[09:04] | Not Used.  | 0x00        |
| Bits[03:00] | D2 Action. A binary encoded data field.<br>0x0 = no action.<br>0x1 = drive low.<br>0x2 = drive high.<br>0x3 = force off.<br>0x4 = force on.<br>0x5 = force down.<br>0x6 = force up.<br>0x7 = edge compare low.<br>0x8 = edge compare high.<br>0x9 = edge compare off.<br>0xA = edge compare valid.<br>0xB = open window low.<br>0xC = open window high.<br>0xD = open window high-Z.<br>0xE = open window valid.<br>0xF = compare unknown. | Undefined   |

**Name:** Waveform D2 Course Delay

**Address:** 0x0B

**Type:** Read/Write

**Table 25. Waveform D2 Course Delay**

| Position    | Description   | Reset State |
|-------------|---|-------------|
| Bits[15:00] | D2 Course Delay. Number of 2.5 ns clock periods to count.<br>When this count is completed, the vernier delay (defined by the D2 vernier value programmed into the waveform D2 vernier delay and action register) is added to the D2 course delay to place an edge in time<br>Waveform D2 vernier delay and action must be written immediately before this register for the waveform memory to be correctly written. | Undefined   |

# ADATE207

**Name:** Waveform D3 Vernier Delay and Action

**Address:** 0x0C

**Type:** Read/Write

**Table 26. Waveform D3 Vernier Delay and Action**

| Position                  | Description   | Reset State |
|---------------------------|---|-------------|
| Bits[5:10]<br>Bits[09:04] | D3 Vernier Delay: The vernier delay is represented in binary by the equation, $vvvvv \times (2.5 \text{ ns}/64)$<br>Not Used.   | Undefined   |
| Bits[03:00]               | D3 Action: A binary encoded data field.<br>0x0 = no action.<br>0x1 = drive low.<br>0x2 = drive high.<br>0x3 = force off.<br>0x4 = force on.<br>0x5 = force down.<br>0x6 = force up.<br>0x7 = edge compare low.<br>0x8 = edge compare high.<br>0x9 = edge compare off.<br>0xA = edge compare valid.<br>0xF = close window/compare unknown. | Undefined   |

**Name:** Waveform D3 Course Delay

**Address:** 0x0D

**Type:** Read/Write

**Table 27. Waveform D3 Course Delay**

| Position    | Description  | Reset State |
|-------------|--|-------------|
| Bits[15:00] | D3 Course Delay. Number of 2.5 ns clock periods to count.<br>When this count is completed, the vernier delay (defined by the D3 vernier value programmed into the waveform D3 vernier delay and action register) is added to the D3 course delay to place an edge in time.<br>Waveform D3 vernier delay and action must be written immediately before this register for the waveform memory to be correctly written. | Undefined   |

**Name:** Calibration Memory D0

**Address:** 0x0E

**Type:** Read/Write

**Table 28. Calibration Memory D0**

| Position    | Description  | Reset State |
|-------------|--|-------------|
| Bits[15:08] | Not Used.  | 0x000       |
| Bits[07:00] | D0 Calibration Constant (CCCCCCCC). The calibration delay is represented in binary by the equation $CCCCCCCC \times (2.5 \text{ ns}/64)$ . | Undefined   |

**Name:** Calibration Memory D1

**Address:** 0x0F

**Type:** Read/Write

**Table 29. Calibration Memory D1**

| Position    | Description  | Reset State |
|-------------|--|-------------|
| Bits[15:08] | Not Used.  | 0x000       |
| Bits[07:00] | D1 Calibration Constant (CCCCCCCC). The calibration delay is represented in binary by the equation $CCCCCCCC \times (2.5 \text{ ns}/64)$ | Undefined   |

**Name:** Calibration Memory D2

**Address:** 0x10

**Type:** Read/Write

**Table 30. Calibration Memory D2**

| Position    | Description  | Reset State |
|-------------|--|-------------|
| Bits[15:08] | Not Used.  | 0x000       |
| Bits[07:00] | D2 Calibration Constant (CCCCCCCC). The calibration delay is represented in binary by the equation $CCCCCCCC \times (2.5 \text{ ns}/64)$ | Undefined   |

**Name:** Calibration Memory D2

**Address:** 0x11

**Type:** Read/Write

**Table 31. Calibration Memory D3**

| Position    | Description  | Reset State |
|-------------|--|-------------|
| Bits[15:08] | Not Used.  | 0x000       |
| Bits[07:00] | D3 Calibration Constant (CCCCCCCC). The calibration delay is represented in binary by the equation $CCCCCCCC \times (2.5 \text{ ns}/64)$ . | Undefined   |

**DUT Data Selection**

**Name:** DUT Data Selection

**Address:** 0x12

**Type:** Read/Write

**Table 32. DUT Data Selection**

| Position    | Description   | Reset State |
|-------------|---|-------------|
| Bit 15      | Not Used.   | 0           |
| Bits[14:12] | PAT_DUTDATA3 Select. A binary encoded data field that selects which edge and which comparator to drive out of the ADATE207 PAT_DUTDATAx[3] pin.<br>0x0 = Edge D0 low comparator.<br>0x1 = Edge D0 high comparator.<br>0x2 = Edge D1 low comparator.<br>0x3 = Edge D1 high comparator.<br>0x4 = Edge D2 low comparator.<br>0x5 = Edge D2 high comparator.<br>0x6 = Edge D3 low comparator.<br>0x7 = Edge D3 high comparator. | 0x00        |
| Bit 11      | Not Used.   | 0           |

# ADATE207

| Position    | Description   | Reset State |
|-------------|---|-------------|
| Bits[10:08] | PAT_DUTDATA2 Select. A binary encoded data field that selects which edge and which comparator to drive out of the ADATE207 PAT_DUTDATAx[2] pin.<br>0x0 = Edge D0 low comparator.<br>0x1 = Edge D0 high comparator.<br>0x2 = Edge D1 low comparator.<br>0x3 = Edge D1 high comparator.<br>0x4 = Edge D2 low comparator.<br>0x5 = Edge D2 high comparator.<br>0x6 = Edge D3 low comparator.<br>0x7 = Edge D3 high comparator. | 0x0         |
| Bit 07      | Not Used  | 0           |
| Bits[06:04] | PAT_DUTDATA1 Select. A binary encoded data field that selects which edge and which comparator to drive out of the ADATE207 PAT_DUTDATAx[1] pin.<br>0x0 = Edge D0 low comparator.<br>0x1 = Edge D0 high comparator.<br>0x2 = Edge D1 low comparator.<br>0x3 = Edge D1 high comparator.<br>0x4 = Edge D2 low comparator.<br>0x5 = Edge D2 high comparator.<br>0x6 = Edge D3 low comparator.<br>0x7 = Edge D3 high comparator. | 0x0         |
| Bit 03      | Not Used  | 0           |
| Bits[02:00] | PAT_DUTDATA0 Select. A binary encoded data field that selects which edge and which comparator to drive out of the ADATE207 PAT_DUTDATAx[0] pin.<br>0x0 = Edge D0 low comparator.<br>0x1 = Edge D0 high comparator.<br>0x2 = Edge D1 low comparator.<br>0x3 = Edge D1 high comparator.<br>0x4 = Edge D2 low comparator.<br>0x5 = Edge D2 high comparator.<br>0x6 = Edge D3 low comparator.<br>0x7 = Edge D3 high comparator. | 0x0         |

## CHIP-SPECIFIC (COMMON) REGISTERS

**Name:** Software Resets

**Address:** 0x19

**Type:** Write

**Table 33. Software Resets**

| Position    | Description   | Reset State |
|-------------|---|-------------|
| Bit 15      | DLL Ready. Indicates that the internal PLL and DLL are stable after a reset and/or MCLK change.   | Dynamic     |
| Bits[14:04] | Not Used.   | 0x000       |
| Bit 03      | Error Registers Clear.<br>Writing a 1 to this bit creates a pulse to clear all the delay generation errors for all channels and resets the edge generation logic.<br>Writing a 0 has no affect. | 0x0         |
| Bit 02      | Accumulated Fail Registers Clear.<br>Writing a 1 to this bit creates a pulse to clear the accumulated fail registers for all channels.<br>Writing a 0 has no affect.                            | 0x0         |

| Position | Description   | Reset State |
|----------|---|-------------|
| Bit 01   | Fail Counters Clear.<br>Writing a 1 to this bit creates a pulse to clear the fail counters for all channels.<br>Writing a 0 has no affect.  | 0x0         |
| Bit 00   | Soft Reset. Writing this register bit to a Logic 1 causes the ADATE207 to generate a software reset. This is logically equivalent to a hard reset via the I_RESET_B pin. All logic and registers are reset. | 0x0         |

**Name:** Round Trip Delay Value

**Address:** 0x1A

**Type:** Read/Write

**Table 34. Round Trip Delay Value**

| Position    | Description   | Reset State |
|-------------|---|-------------|
| Bits[15:05] | Not Used.   | 0x000       |
| Bits[4:00]  | Round Trip Delay Value. Programs the round-trip delay from the ADATE207 drive to compare pins, in units of 2.5 ns. The maximum delay is 80 ns (value = 31) and the minimum delay is 2.5 ns (value = 0). | 0x0         |

**Name:** T0 Alignment Pipeline Depth

**Address:** 0x1B

**Type:** Read/Write

**Table 35. T0 Alignment Pipeline Depth**

| Position    | Description   | Reset State |
|-------------|---|-------------|
| Bits[15:05] | Not Used.   | 0x000       |
| Bits[04:00] | T0 Alignment Pipeline Depth. This pipeline value matches the edge generation delay for compare edges thereby correctly aligning compare fails and DUT data to the T0 pipeline. It should be programmed no higher than 30 and $\geq 10.5 + \text{RTD}/4$ . | 0x0         |

### **TMU Channel Select**

This register selects one of four channels to independently direct to the TMU arm, start, and stop buses.

**Name:** TMU Channel Select

**Address:** 0x1C

**Type:** Read/Write

**Table 36. TMU Channel Select**

| Position    | Description  | Reset State |
|-------------|--|-------------|
| Bits[15:12] | Not Used.  | 0x00        |
| Bit 11      | TMU Stop Enable. A zero tristates the TMU stop output.   | 0           |
| Bits[10:08] | TMU Stop, Channel Select Multiplexer. A binary encoded data field.<br>0x0 selects Channel 0 comparator high.<br>0x1 selects Channel 0 comparator low.<br>0x2 selects Channel 1 comparator high.<br>0x3 selects Channel 1 comparator low.<br>0x4 selects Channel 2 comparator high.<br>0x5 selects Channel 2 comparator low.<br>0x6 selects Channel 3 comparator high.<br>0x7 selects Channel 3 comparator low. | 0x00        |
| Bit 07      | TMU Start Enable. A zero tristates the TMU stop output.  | 0           |
| Bits[06:04] | TMU Start, Channel Select Multiplexer. A binary encoded data field.  | 0x00        |

# ADATE207

| Position    | Description   | Reset State |
|-------------|---|-------------|
| Bit 03      | 0x0 selects Channel 0 comparator high.<br>0x1 selects Channel 0 comparator low.<br>0x2 selects Channel 1 comparator high.<br>0x3 selects Channel 1 comparator low.<br>0x4 selects Channel 2 comparator high.<br>0x5 selects Channel 2 comparator low.<br>0x6 selects Channel 3 comparator high.<br>0x7 selects Channel 3 comparator low.  | 0           |
| Bits[02:00] | TMU Arm Enable. A zero tristates the TMU Stop output.<br>TMU Arm Channel Select Multiplexer. A binary encoded data field.<br>0x0 selects Channel 0 comparator high.<br>0x1 selects Channel 0 comparator low.<br>0x2 selects Channel 1 comparator high.<br>0x3 selects Channel 1 comparator low.<br>0x4 selects Channel 2 comparator high.<br>0x5 selects Channel 2 comparator low.<br>0x6 selects Channel 3 comparator high.<br>0x7 selects Channel 3 comparator low. | 0x00        |

**Name:** Channel Multiplex Enable

**Address:** 0x1D

**Type:** Read/Write

**Table 37. Channel Multiplex Enable**

| Position    | Description  | Reset State |
|-------------|--|-------------|
| Bits[15:02] | Not Used.  | 0x0000      |
| Bit 01      | CH2 Multiplex Enable. This channel can be 2-way multiplexed. Setting this bit to 1 enables Channel 3 to be multiplexed on Channel 2. | 0           |
| Bit 00      | CH0 Multiplex Enable. This channel can be 2-way multiplexed. Setting this bit to 1 enables Channel 1 to be multiplexed on Channel 0. | 0           |

**Name:** Channel Status

**Address:** 0x1E

**Type:** Read

**Table 38. Channel Status**

| Position | Description   | Reset State |
|----------|---|-------------|
| Bit 15   | Channel 3 Failure. This indicates that the channel had a failure. This signal is the Logic OR of the accumulated fail registers (AFRs) of the channel. More details of the fail can be found by reading the AFRs or fail counter for Channel 3. | 0x0         |
| Bit 14   | Channel 2 Failure. This indicates that the channel had a failure. This signal is the Logic OR of the accumulated fail registers (AFRs) of the channel. More details of the fail can be found by reading the AFRs or fail counter for Channel 2. | 0x0         |
| Bit 13   | Channel 1 Failure. This indicates that the channel had a failure. This signal is the Logic OR of the accumulated fail registers (AFRs) of the channel. More details of the fail can be found by reading the AFRs or fail counter for Channel 1. | 0x0         |
| Bit 12   | Channel 0 Failure. This indicates that the channel had a failure. This signal is the Logic OR of the accumulated fail registers (AFRs) of the channel. More details of the fail can be found by reading the AFRs or fail counter for Channel 0. | 0x0         |
| Bit 11   | Channel 3 Timing Error. This indicates that the channel had a timing error. This signal is the Logic OR of the timing error flags of the channel. More details of the error can be found by reading the error flags for Channel 3.              | 0x0         |



| Position | Description  | Reset State |
|----------|--|-------------|
| Bit 10   | Channel 2 Timing Error. This indicates that the channel had a timing error. This signal is the Logic OR of the timing error flags of the channel. More details of the error can be found by reading the error flags for Channel 2. | 0x0         |
| Bit 09   | Channel 1 Timing Error. This indicates that the channel had a timing error. This signal is the Logic OR of the timing error flags of the channel. More details of the error can be found by reading the error flags for Channel 1. | 0x0         |
| Bit 08   | Channel 0 Timing Error. This indicates that the channel had a timing error. This signal is the Logic OR of the timing error flags of the channel. More details of the error can be found by reading the error flags for Channel 0. | 0x0         |
| Bit 07   | Channel 3 High Comparator Output. This indicates the state of the high comparator. When high, the DUT logic output is higher than the $V_{OH}$ . When low, the DUT output is lower than the $V_{OH}$ .                             | Undefined   |
| Bit 06   | Channel 3 Low Comparator Output. This indicates the state of the low comparator. When low, the DUT logic output is lower than the $V_{OL}$ . When high, the DUT output is higher than the $V_{OL}$ .                               | Undefined   |
| Bit 05   | Channel 2 High Comparator Output. This indicates the state of the high comparator. When high, the DUT logic output is higher than the $V_{OH}$ . When low, the DUT output is lower than the $V_{OH}$ .                             | Undefined   |
| Bit 04   | Channel 2 Low Comparator Output. This indicates the state of the low comparator. When low, the DUT logic output is lower than the $V_{OL}$ . When high, the DUT output is higher than the $V_{OL}$ .                               | Undefined   |
| Bit 03   | Channel 1 High Comparator Output. This indicates the state of the high comparator. When high, the DUT logic output is higher than the $V_{OH}$ . When low, the DUT output is lower than the $V_{OH}$ .                             | Undefined   |
| Bit 02   | Channel 1 Low Comparator Output. This indicates the state of the low comparator. When low, the DUT logic output is lower than the $V_{OL}$ . When high, the DUT output is higher than the $V_{OL}$ .                               | Undefined   |
| Bit 01   | Channel 0 High Comparator Output. This indicates the state of the high comparator. When high, the DUT logic output is higher than the $V_{OH}$ . When low, the DUT output is lower than the $V_{OH}$ .                             | Undefined   |
| Bit 00   | Channel 0 Low Comparator Output. This indicates the state of the low comparator. When low, the DUT logic output is lower than the $V_{OL}$ . When high, the DUT output is higher than the $V_{OL}$ .                               | Undefined   |

**Name:** Chip Information

**Address:** 0x1F

**Type:** Read

**Table 39. Chip Information**

| Position    | Description | Reset State |
|-------------|-------------|-------------|
| Bits[15:00] | Reserved.   | N/A         |

## APPLICATION INFORMATION

### TIME MEASUREMENT SUPPORT

The ADATE207 contains support for time measurement through an external time measurement unit (TMU) in the following ways:

- Connect the high comparator output of any channel to TMU arm, TMU start, or TMU stop.
- Connect the low comparator output of any channel to TMU arm, TMU start, or TMU stop.
- Tristate the TMU multiplexer outputs using an enable control bit.

The time measurement unit select logic provides time and frequency measurement capability from any digital pin high or low comparator output. To accomplish this task, independent multiplexers are employed for directing the high or low comparator outputs of the digital pins to the (three) time measurement unit signals, TMU\_ARM, TMU\_START, and TMU\_STOP. Off-chip control logic must select the appropriate TMU bus output signal from the ADATE207 devices on the board and direct its selection to the TMU.



**A DATE207**

**NOTES**

# Mouser Electronics

Authorized Distributor

Click to View Pricing, Inventory, Delivery & Lifecycle Information:

[Analog Devices Inc.:](#)

[ADATE207BBPZ](#)