

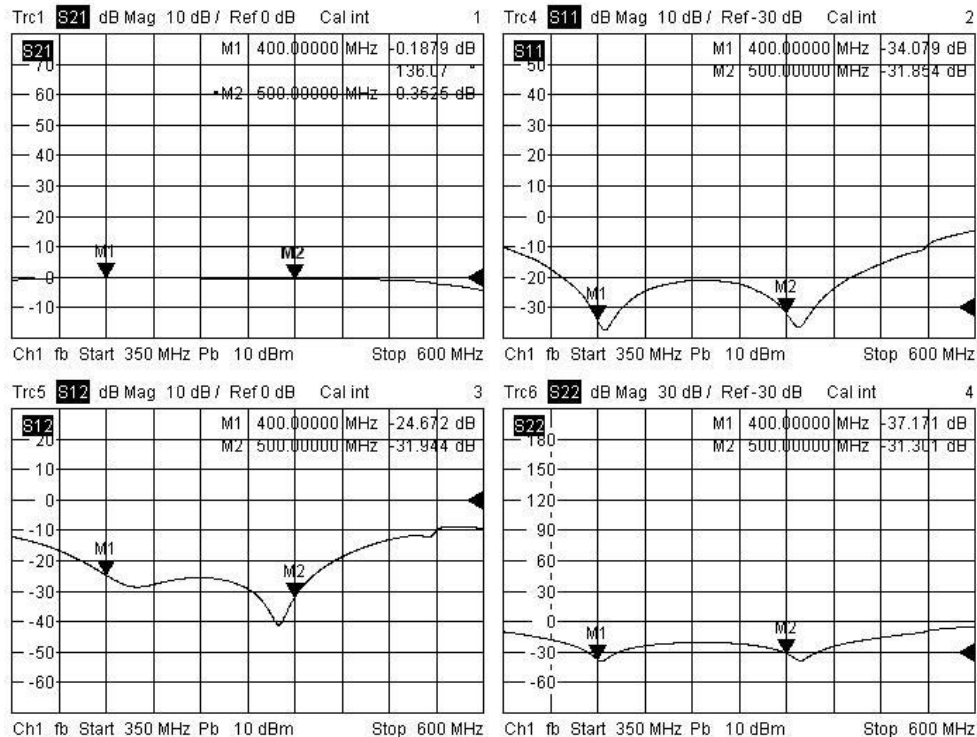


Ultra Wide Band Coaxial Isolator 400-500MHz



- High power handle capability up to 100W
- Wide band operation
- High isolation within operational band
- Low Insertion loss
- Low temperature coefficient ferrite material offer stable performance over temperature
- Aerospace and military application
- LMDS multi-carrier operation
- High peak to average handle capability
- All specifications can be modified upon request

Parameter	Min	Type	Max	Units
Frequency Range		400-500		MHz
Insertion Loss		0.4		dB
Isolation (Note 1)		20		dB
VSWR			1.25	:1
Forward Power (CW)			100	W
Reverse Power(CW)			10	W
Rotation	Clockwise (Standard) Count			
Input /Output Connector	SMA-Female/N-Female			
Finishing	Nickel Plated			
Impedance	50			
Material	Copper			



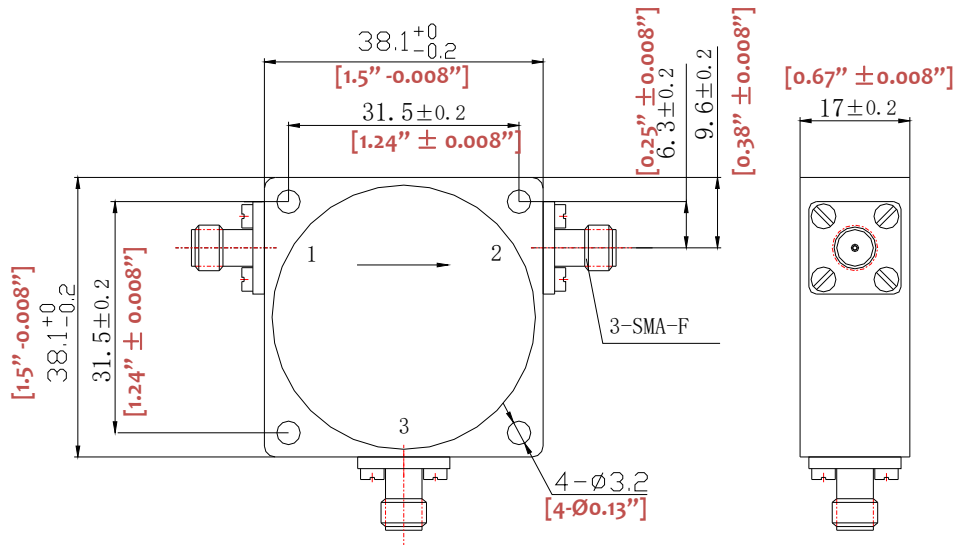
6/25/2016, 2:25 AM

Ultra Wide Band Coaxial Isolator 400-500MHz



Outline Drawing:

All Dimensions are in mm [inch]



Important Notice

The information contained herein is believed to be reliable. RF-Lambda makes no warranties regarding the information contained herein. RF-Lambda assumes no responsibility or liability whatsoever for any of the information contained herein. RF-Lambda assumes no responsibility or liability whatsoever for the use of the information contained herein. The information contained herein is provided "AS IS, WHERE IS" and with all faults, and the entire risk associated with such information is entirely with the user. All information contained herein is subject to change without notice. Customers should obtain and verify the latest relevant information before placing orders for RF-Lambda products. The information contained herein or any use of such information does not grant, explicitly or implicitly, to any party any patent rights, licenses, or any other intellectual property rights, whether with regard to such information itself or anything described by such information.

RF-Lambda products are not warranted or authorized for use as critical components in medical, life-saving, or life sustaining applications, or other applications where a failure would reasonably be expected to cause severe personal injury or death.