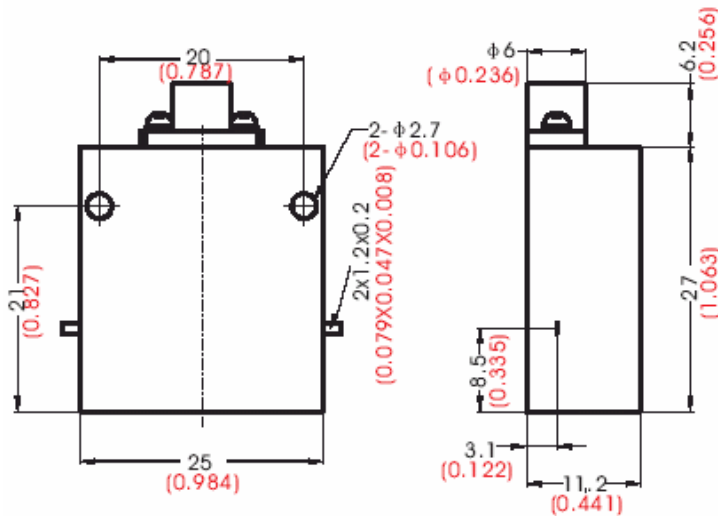


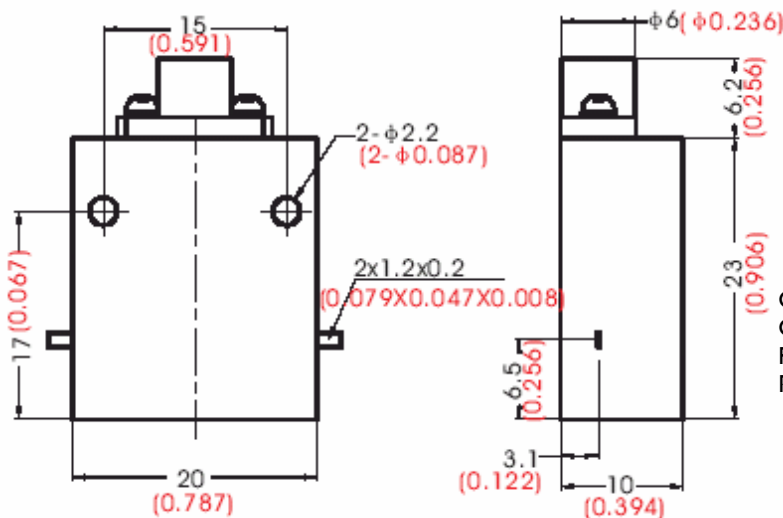


RFLI-203					
Part Number	Frequency (GHz)	Bandwidth (MHz)	Insert. Loss (dB)	Isolation (dB)	VSWR
RFLI-203-1	0.75~1.7	50	0.3	25	1.15
RFLI-203-2		100	0.4	23	1.20
RFLI-203-3		200	0.5	20	1.25



Case Type: Drop-in
 Operating Temperature: -55~+85°C
 Forward Power: 10/30W(CW)
 Reverse Power: 1W (CW)

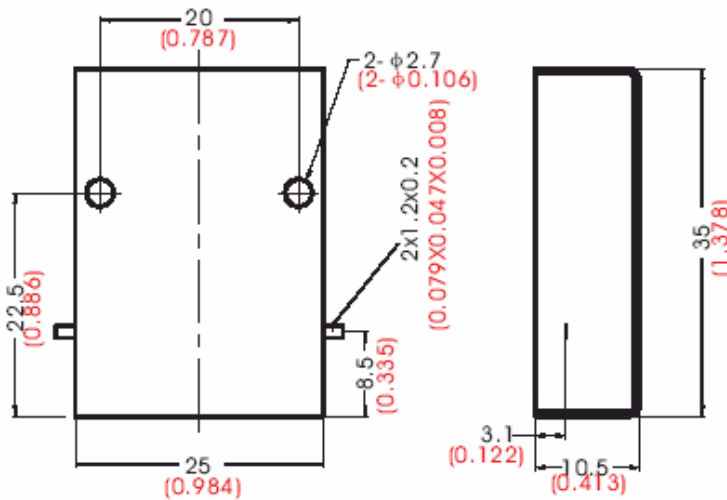
RFLI-204					
Part Number	Frequency (GHz)	Bandwidth (MHz)	Insert. Loss (dB)	Isolation (dB)	VSWR
RFLI-204-1	1.0~1.7	50	0.4	23	1.20
RFLI-204-2		100	0.5	20	1.25



Case Type: Drop-in
 Operating Temperature: -55~+85°C
 Forward Power: 10/30W(CW)
 Reverse Power: 1W (CW)

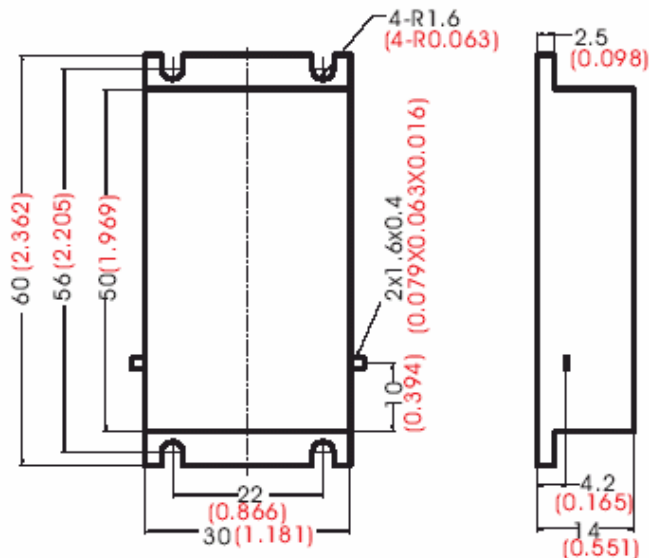


RFLI-205					
Part Number	Frequency (GHz)	Bandwidth (MHz)	Insert. Loss (dB)	Isolation (dB)	VSWR
RFLI-205-1	0.9~1.7	50	0.3	25	1.15
RFLI-205-2		100	0.4	23	1.20
RFLI-205-3		250	0.5	20	1.25



Case Type: Drop-in
 Operating Temperature: -55~+85°C
 Forward Power: 10/50/100W(CW)
 Reverse Power: 10/30/100W(CW)

RFLI-210					
Part Number	Frequency (GHz)	Bandwidth (MHz)	Insert. Loss (dB)	Isolation (dB)	VSWR
RFLI-210-1	0.8~1.7	50	0.3	25	1.15
RFLI-210-2	0.8~1.7	100	0.4	23	1.20
RFLI-210-3	0.8~1.7	200	0.5	20	1.25



Case Type: Drop-in
 Operating Temperature: -55~+85°C
 Forward Power: 200W (CW)
 Reverse Power: 200W (CW)