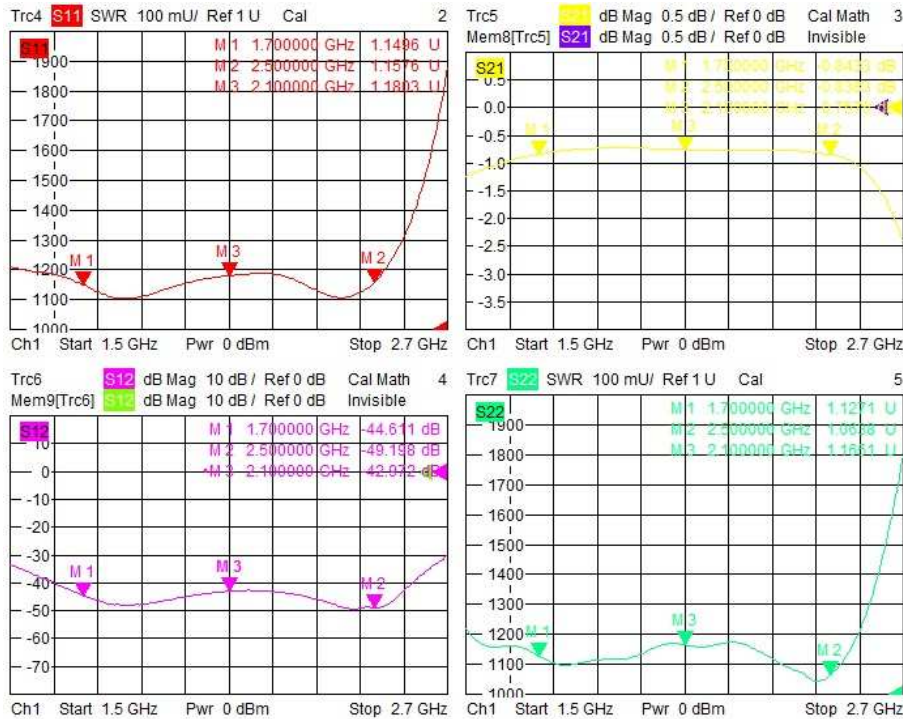
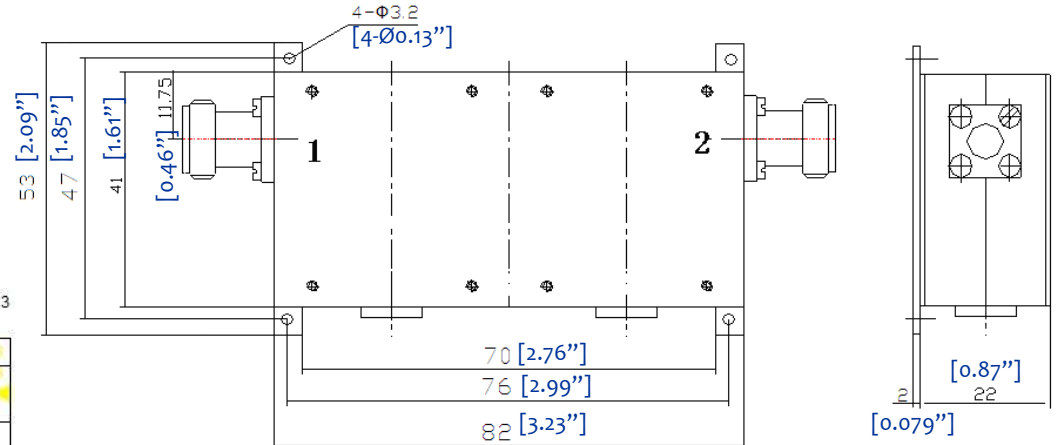


# ULTRA WIDE BAND 1.7-2.5GHz ISOLATOR RFLI316G17G25

1.0 Mechanical Specifications		
1.1	Coaxial Connector	N-F
1.2	External Body Finish	Nickle Plated
1.3	Rotation	Clockwise / Counter-clockwise



2.0 Environment specifications		
2.1	Opt. Temp.	-20°C~+70°C
2.2	Storage Temp.	-40°C~+85°C
2.3	Altitude	45000 ft
2.4	Vibration	10g rms (15 degree 2KHz)
2.5	Humidity	100% RH at 35c, 95%RH at 40 deg c
2.6	Shock	20G for 11msc



PN	Frequency (GHz)	Insertion loss (dB)	Isolation (dB) min	VSWR (max)	Average Power F/R(CW)
RFLI316G17G25	1.7~2.5	1.0	40	1.25	30/3

PAGE 1 OF 1	DATE JAN 8 <sup>th</sup> 2003
<small>PROPRIETARY INFORMATION THE INFORMATION CONTAINED IN THIS DOCUMENT IS THE PROPERTY OF RF-LAMBDA EXCEPT AS SPECIFICALLY AUTHORIZED IN WRITING BY RF-LAMBDA. THE HOLDER OF THIS DOCUMENT SHALL KEEP ALL INFORMATION CONTAINED HEREIN CONFIDENTIAL AND SHALL PROTECT SAME IN THE WHOLE OR IN PART FROM DISCLOSURE AND DISSEMINATION OF ALL THIRD PARTIES AND SHALL USE SAME FOR OPERATING AND MAINTENANCE PURPOSES ONLY</small>	
DESIGN RFPC	
RF-LAMBDA RFPC	
CAD MODEL REVISION 02-1	
ASSEMBLY REVISION VS23	
ASSEMBLY NAME RFLVR54	
DRAWING NUMBER D02-12	
<b>RFLI316G17G25</b> <b>ULTRA WIDE BAND ISOLATOR</b>	
www.rflambda.com	
RF-LAMBDA	SIZE LT SHEETS 1 OF 1