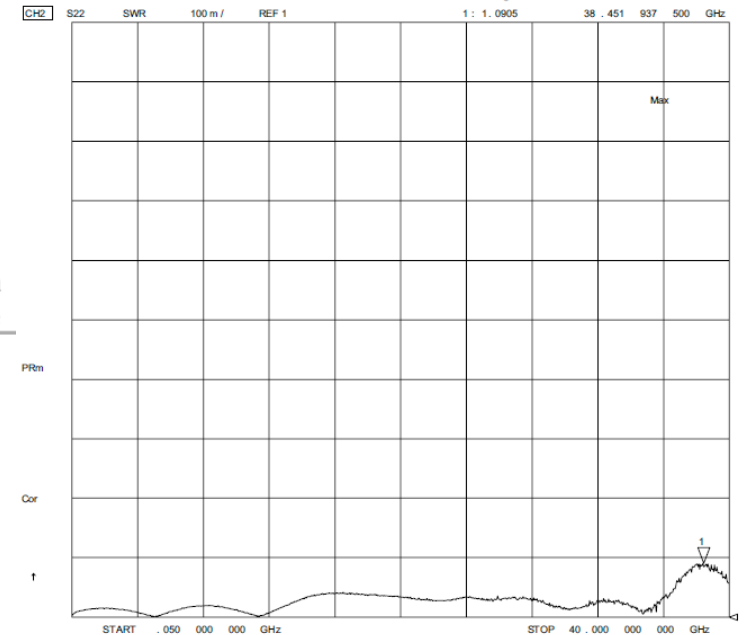
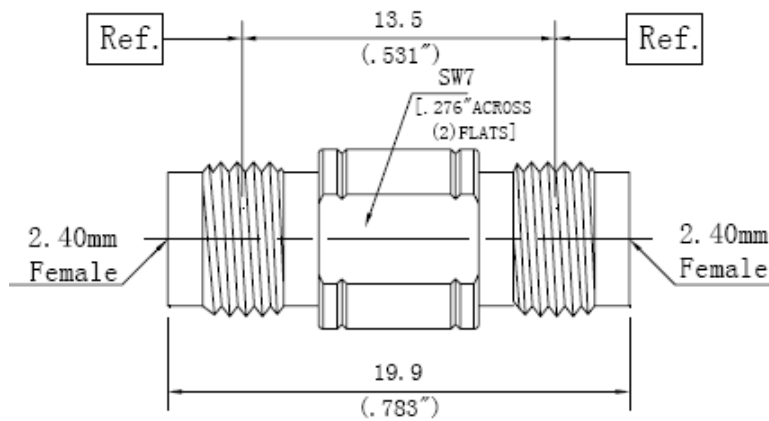



# Coaxial Adapter 2.4 mm Female to 2.4 mm Female



| 2.0 Environment specifications |   |
|--------------------------------|---|
| 2.1                            | Opt. Temp. -55°C~+165°C                 |
| 2.2                            | Storage Temp. -60°C~+185°C              |
| 2.3                            | Altitude 45000 ft                       |
| 2.4                            | Vibration 10g rms (15 degree 2KHz)      |
| 2.5                            | Humidity 100% RH at 35c, 95%RH at 40 °c |
| 2.6                            | Shock 20G for 11msc                     |

| 1.0 Mechanical Specifications |                    |
|-------------------------------|--------------------|
| 1.1                           | 2.4mm STD 287-2007 |
| 1.2                           | 2.4mm STD 287-2007 |
| 1.3                           | MIL MIL-G-45204    |

| PN         | Frequency (GHz) | Impedance (Ω) | VSWR (max) | Insulate material | Material              | Center PIN              |
|------------|-----------------|---------------|------------|-------------------|-----------------------|-------------------------|
| RFCARAWFWF | DC-50           | 50            | 1.20       | PEI               | Stainless Steel SU303 | Brass with Gold plating |

|   |                               |
|---|-------------------------------|
| PAGE 1 OF 1   | DATE JAN 8 <sup>th</sup> 2003 |
| <small>PROPRIETARY INFORMATION THE INFORMATION CONTAINED IN THIS DOCUMENT IS THE PROPERTY OF RF-LAMBDA EXCEPT AS SPECIFICALLY AUTHORIZED IN WRITING BY RF-LAMBDA. THE HOLDER OF THIS DOCUMENT SHALL KEEP ALL INFORMATION CONTAINED HEREIN CONFIDENTIAL AND SHALL PROTECT SAME IN THE WHOLE OR IN PART FROM DISCLOSURE AND DISSEMINATION OF ALL THIRD PARTIES AND SHALL USE SAME FOR OPERATING AND MAINTENANCE PURPOSES ONLY</small> | DESIGN RFCPC                  |
|   | RF-LAMBDA RFCPC               |
|   | CAD MODEL REVISION 02-1       |
|   | ASSEMBLY REVISION VS23        |
|  <b>COAXIAL ADAPTER RFCARAWFWF</b>   | ASSEMBLY NAME RFLVR54         |
|   | DRAWING NUMBER D02-12         |
| www.rflambda.com  | SIZE LT SHEETS 1 OF 1         |