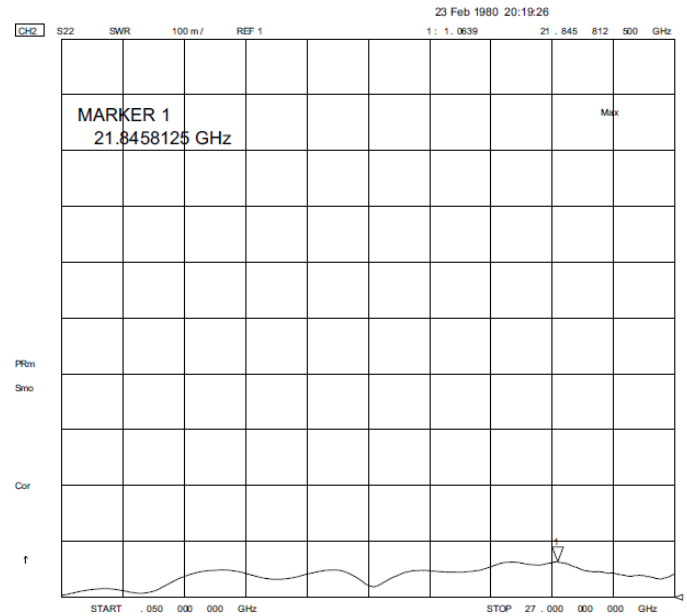
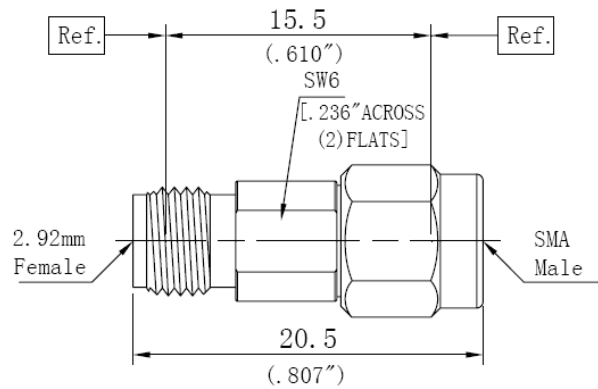



Coaxial Adapter 2.92mm Female to SMA Male



2.0 Environment specifications	
2.1	Opt. Temp. -55°C~+165°C
2.2	Storage Temp. -60°C~+185°C
2.3	Altitude 45000 ft
2.4	Vibration 10g rms (15 degree 2KHz)
2.5	Humidity 100% RH at 35c, 95%RH at 40 °c
2.6	Shock 20G for 11msc

1.0 Mechanical Specifications	
1.1	2.92mm MIL-STD-348A
1.2	SMA MIL-STD-348A
1.3	MIL MIL-G-45204

PN	Frequency (GHz)	Impedance (Ω)	VSWR (max)	Insulate material	Material	Center PIN
RFCAERKFSM	DC-27	50	1.15	PEI&PTFE	Stainless Steel SU303	Brass with Gold plating

PAGE 1 OF 1	DATE JAN 8 th 2003
PROPRIETARY INFORMATION THE INFORMATION CONTAINED IN THIS DOCUMENT IS THE PROPERTY OF RF-LAMBDA EXCEPT AS SPECIFICALLY AUTHORIZED IN WRITING BY RF-LAMBDA. THE HOLDER OF THIS DOCUMENT SHALL KEEP ALL INFORMATION CONTAINED HEREIN CONFIDENTIAL AND SHALL PROTECT SAME IN THE WHOLE OR IN PART FROM DISCLOSURE AND DISSEMINATION OF ALL THIRD PARTIES AND SHALL USE SAME FOR OPERATING AND MAINTENANCE PURPOSES ONLY.	DESIGN RFPC
	RF-LAMBDA RFPC
COAXIAL ADAPTER RFCAERKFSM	CAD MODEL REVISION 02-1
www.rflambda.com	ASSEMBLY REVISION VS23
RF-LAMBDA	ASSEMBLY NAME RFLVRS4
SIZE LT	DRAWING NUMBER D02-12
SHEETS 1 OF 1	