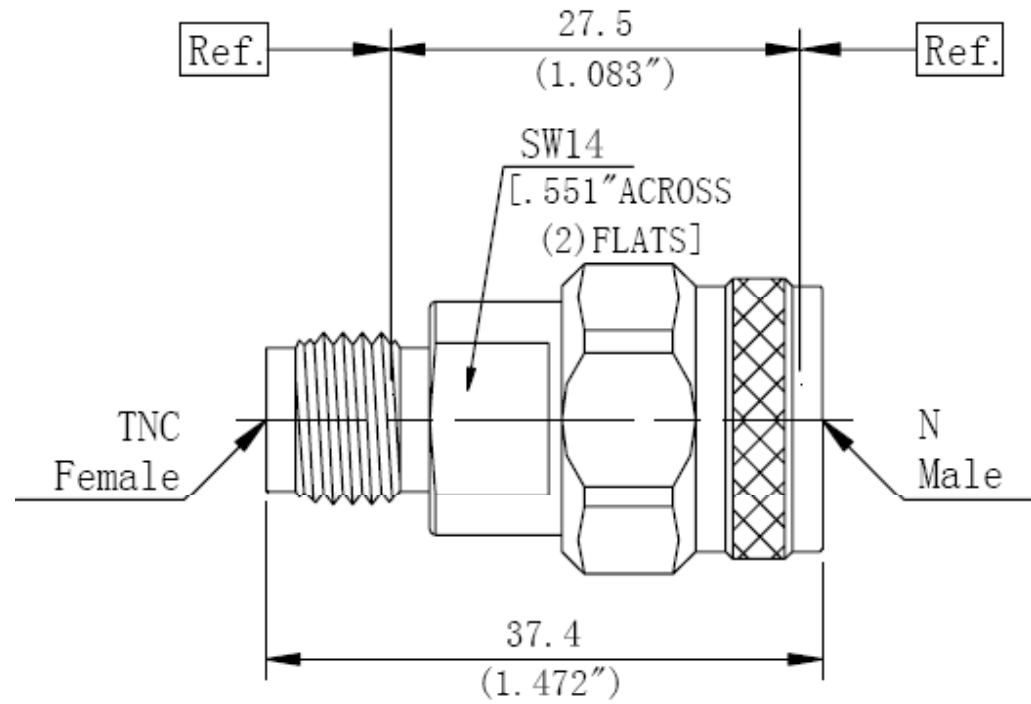


Coaxial Adapter N Male to TNC Female



| 2.0 Environment specifications | | |
|--------------------------------|---------------|--------------------------------|
| 2.1 | Opt. Temp. | -55°C~+165°C |
| 2.2 | Storage Temp. | -60°C~+185°C |
| 2.3 | Altitude | 45000 ft |
| 2.4 | Vibration | 10g rms (15 degree 2KHz) |
| 2.5 | Humidity | 100% RH at 35c, 95%RH at 40 °c |
| 2.6 | Shock | 20G for 11msc |

| 1.0 Mechanical Specifications | | |
|-------------------------------|-----|--------------|
| 1.1 | N | MIL-STD-348A |
| 1.2 | TNC | MIL-STD-348A |
| 1.3 | MIL | MIL-G-45204 |

| PN | Frequency (GHz) | Impedance (Ω) | VSWR (max) | Insulate material | Material | Center PIN |
|-------------|-----------------|---------------|------------|-------------------|-----------------------|-------------------------|
| RFC AERNMTF | DC-11 | 50 | 1.15 | PEI | Stainless Steel SU303 | Brass with Gold plating |

| | |
|--|----------------------------------|
| PAGE 1 OF 1 | DATE JAN 8 th 2003 |
| <small>PROPRIETARY INFORMATION THE INFORMATION CONTAINED IN THIS DOCUMENT IS THE PROPERTY OF RF-LAMBDA EXCEPT AS SPECIFICALLY AUTHORIZED IN WRITINGS BY RF-LAMBDA. THE HOLDER OF THIS DOCUMENT SHALL KEEP ALL INFORMATION CONTAINED HEREIN CONFIDENTIAL AND SHALL PROTECT SAME IN THE WHOLE OR IN PART FROM DISCLOSURE AND DISSEMINATION OF ALL THIRD PARTIES AND SHALL USE SAME FOR OPERATING AND MAINTENANCE PURPOSES ONLY</small> | |
| DESIGN RFPC | |
| RF-LAMBDA RFPC | |
| CAD MODEL REVISION 02-1 | |
| ASSEMBLY REVISION VS23 | |
| ASSEMBLY NAME RFLVR54 | |
| DRAWING NUMBER D02-32 | |
| www.rflambda.com | |
| RF-LAMBDA | SIZE LT SHEETS 1 OF 1 |