

# ADS7138 Small, 8-Channel, 12-Bit ADC With I<sup>2</sup>C Interface, GPIOs, and CRC

## 1 Features

- Small package size:
  - 3-mm × 3-mm WQFN
- 8 channels configurable as any combination of:
  - Up to 8 analog inputs, digital inputs, or digital outputs
- GPIOs for I/O expansion:
  - Open-drain, push-pull digital outputs
- Analog watchdog:
  - Programmable thresholds per channel
  - Event counter for transient rejection
- Wide operating ranges:
  - AVDD: 2.35 V to 5.5 V
  - DVDD: 1.65 V to 5.5 V
  - –40°C to +125°C temperature range
- CRC for read/write operations:
  - CRC on data read/write
  - CRC on power-up configuration
- I<sup>2</sup>C interface:
  - Up to 3.4 MHz (high speed)
  - 8 configurable I<sup>2</sup>C addresses
- Programmable averaging filters:
  - Programmable sample size for averaging
  - Averaging with internal conversions
  - 16-bit resolution for average output

## 2 Applications

- Supervisory functions
- Portable instrumentation
- Telecommunication infrastructure
- Power-supply monitoring

## 3 Description

The ADS7138 is an easy-to-use, 8-channel, multiplexed, 12-bit, successive approximation register analog-to-digital converter (SAR ADC). The eight channels can be independently configured as either analog inputs, digital inputs, or digital outputs. The device has an internal oscillator for ADC conversion processes.

The ADS7138 communicates via an I<sup>2</sup>C-compatible interface and operates in either autonomous or single-shot conversion mode. The ADS7138 implements analog watchdog function by event-triggered interrupts per channel using a digital window comparator with programmable high and low thresholds, hysteresis, and an event counter. The ADS7138 has a built-in cyclic redundancy check (CRC) for data read/write operations and the power-up configuration.

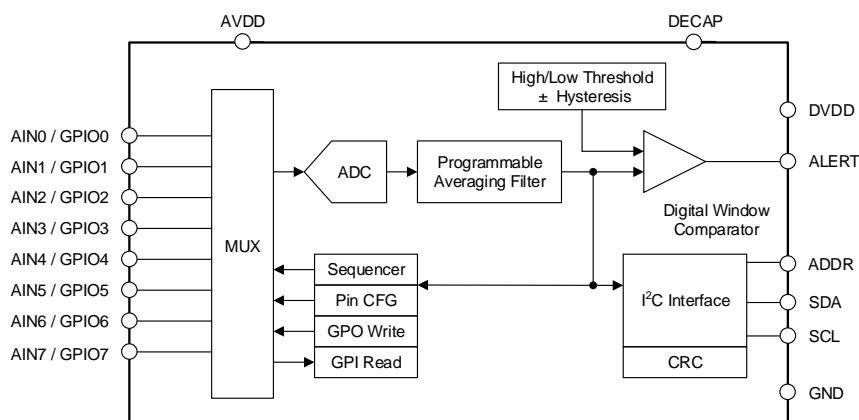
### Device Information<sup>(1)</sup>

| PART NAME | PACKAGE   | BODY SIZE (NOM)   |
|-----------|-----------|-------------------|
| ADS7138   | WQFN (16) | 3.00 mm × 3.00 mm |

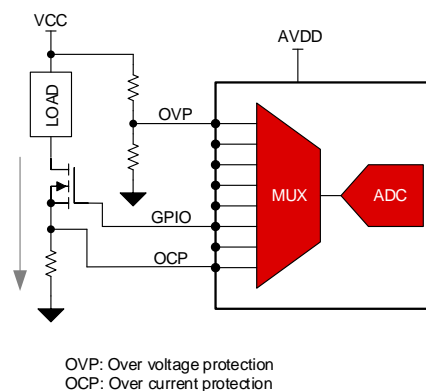
(1) For all available packages, see the orderable addendum at the end of the datasheet.

## ADS7138 Block Diagram and Applications

Device Block Diagram



Example System Architecture



## Table of Contents

|                                                     |          |                                                                  |           |
|-----------------------------------------------------|----------|------------------------------------------------------------------|-----------|
| <b>1 Features</b> .....                             | <b>1</b> | 8.3 Feature Description.....                                     | <b>10</b> |
| <b>2 Applications</b> .....                         | <b>1</b> | 8.4 Device Functional Modes.....                                 | <b>18</b> |
| <b>3 Description</b> .....                          | <b>1</b> | 8.5 Programming.....                                             | <b>22</b> |
| <b>4 Revision History</b> .....                     | <b>2</b> | 8.6 ADS7138 Registers.....                                       | <b>25</b> |
| <b>5 Device Comparison Table</b> .....              | <b>3</b> | <b>9 Application and Implementation</b> .....                    | <b>65</b> |
| <b>6 Pin Configuration and Functions</b> .....      | <b>4</b> | 9.1 Application Information.....                                 | <b>65</b> |
| <b>7 Specifications</b> .....                       | <b>5</b> | 9.2 Typical Applications .....                                   | <b>65</b> |
| 7.1 Absolute Maximum Ratings .....                  | <b>5</b> | <b>10 Power Supply Recommendations</b> .....                     | <b>67</b> |
| 7.2 ESD Ratings.....                                | <b>5</b> | 10.1 AVDD and DVDD Supply Recommendations.....                   | <b>67</b> |
| 7.3 Recommended Operating Conditions.....           | <b>5</b> | <b>11 Layout</b> .....                                           | <b>68</b> |
| 7.4 Thermal Information .....                       | <b>5</b> | 11.1 Layout Guidelines .....                                     | <b>68</b> |
| 7.5 Electrical Characteristics.....                 | <b>6</b> | 11.2 Layout Example .....                                        | <b>68</b> |
| 7.6 I <sup>2</sup> C Timing Requirements.....       | <b>7</b> | <b>12 Device and Documentation Support</b> .....                 | <b>69</b> |
| 7.7 Timing Requirements.....                        | <b>7</b> | 12.1 Receiving Notification of Documentation Updates             | <b>69</b> |
| 7.8 I <sup>2</sup> C Switching Characteristics..... | <b>7</b> | 12.2 Community Resources.....                                    | <b>69</b> |
| 7.9 Switching Characteristics .....                 | <b>8</b> | 12.3 Trademarks .....                                            | <b>69</b> |
| <b>8 Detailed Description</b> .....                 | <b>9</b> | 12.4 Electrostatic Discharge Caution.....                        | <b>69</b> |
| 8.1 Overview .....                                  | <b>9</b> | 12.5 Glossary .....                                              | <b>69</b> |
| 8.2 Functional Block Diagram .....                  | <b>9</b> | <b>13 Mechanical, Packaging, and Orderable Information</b> ..... | <b>69</b> |

## 4 Revision History

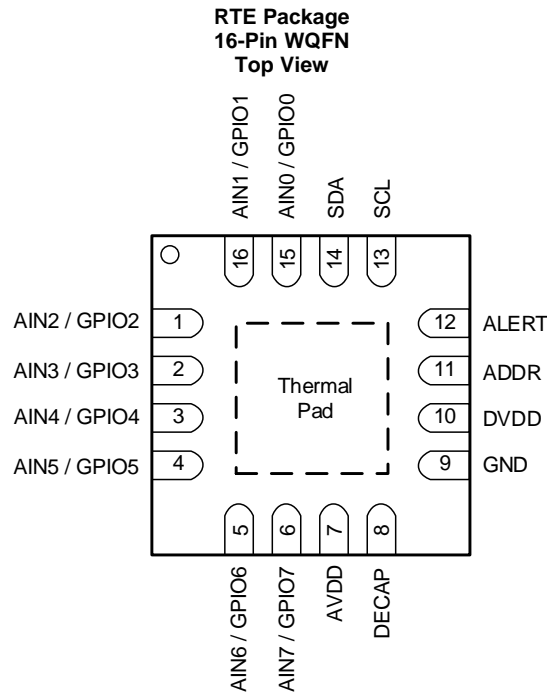
NOTE: Page numbers for previous revisions may differ from page numbers in the current version.

| DATE     | REVISION | NOTES            |
|----------|----------|------------------|
| May 2019 | *        | Initial release. |

## 5 Device Comparison Table

| PART NUMBER | DESCRIPTION                                                     | CRC MODULE | ZERO-CROSSING-DETECT (ZCD) MODULE | ROOT-MEAN-SQUARE (RMS) MODULE |
|-------------|-----------------------------------------------------------------|------------|-----------------------------------|-------------------------------|
| ADS7128     | 8-channel, 12-bit ADC with I <sup>2</sup> C interface and GPIOs | Yes        | Yes                               | Yes                           |
| ADS7138     |                                                                 | Yes        | No                                | No                            |
| ADS7138-Q1  |                                                                 | Yes        | No                                | No                            |

## 6 Pin Configuration and Functions



**Pin Functions**

| PIN        |     | FUNCTION <sup>(1)</sup> | DESCRIPTION                                                                                                                                         |
|------------|-----|-------------------------|-----------------------------------------------------------------------------------------------------------------------------------------------------|
| NAME       | NO. |                         |                                                                                                                                                     |
| AIN0/GPIO0 | 15  | AI, DI, DO              | Channel 0; configurable as either an analog input (default) or a general-purpose input/output (GPIO)                                                |
| AIN1/GPIO1 | 16  | AI, DI, DO              | Channel 1; configurable as either an analog input (default) or a GPIO                                                                               |
| AIN2/GPIO2 | 1   | AI, DI, DO              | Channel 2; configurable as either an analog input (default) or a GPIO                                                                               |
| AIN3/GPIO3 | 2   | AI, DI, DO              | Channel 3; configurable as either an analog input (default) or a GPIO                                                                               |
| AIN4/GPIO4 | 3   | AI, DI, DO              | Channel 4; configurable as either an analog input (default) or a GPIO                                                                               |
| AIN5/GPIO5 | 4   | AI, DI, DO              | Channel 5; configurable as either an analog input (default) or a GPIO                                                                               |
| AIN6/GPIO6 | 5   | AI, DI, DO              | Channel 6; configurable as either an analog input (default) or a GPIO                                                                               |
| AIN7/GPIO7 | 6   | AI, DI, DO              | Channel 7; configurable as either an analog input (default) or a GPIO                                                                               |
| ADDR       | 11  | AI                      | Input for selecting the device I <sup>2</sup> C address. Connect a resistor to this pin from DECAP pin or GND to select one of the eight addresses. |
| ALERT      | 12  | Digital output          | Open-drain (default) or push-pull output for the digital comparator                                                                                 |
| AVDD       | 7   | Supply                  | Analog supply input, also used as the reference voltage to the ADC; connect a 1-μF decoupling capacitor to GND                                      |
| DECAP      | 8   | Supply                  | Connect a decoupling capacitor to this pin for the internal power supply                                                                            |
| DVDD       | 10  | Supply                  | Digital I/O supply voltage; connect a 1-μF decoupling capacitor to GND                                                                              |
| GND        | 9   | Supply                  | Ground for the power supply; all analog and digital signals are referred to this pin voltage                                                        |
| SDA        | 14  | DI, DO                  | Serial data input or output for the I <sup>2</sup> C interface                                                                                      |
| SCL        | 13  | DI                      | Serial clock for the I <sup>2</sup> C interface                                                                                                     |

(1) AI = analog input, DI = digital input, and DO = digital output.

## 7 Specifications

### 7.1 Absolute Maximum Ratings

over operating ambient temperature range (unless otherwise noted)<sup>(1)</sup>

|                                                           | MIN       | MAX        | UNIT |
|-----------------------------------------------------------|-----------|------------|------|
| DVDD to GND                                               | -0.3      | 5.5        | V    |
| AVDD to GND                                               | -0.3      | 5.5        | V    |
| AINx/GPOx <sup>(2)</sup>                                  | GND - 0.3 | AVDD + 0.3 | V    |
| ADDR                                                      | GND - 0.3 | 2.1        | V    |
| Digital inputs                                            | GND - 0.3 | 5.5        | V    |
| Current through any pin except supply pins <sup>(3)</sup> | -10       | 10         | mA   |
| Junction temperature, T <sub>J</sub>                      | -40       | 125        | °C   |
| Storage temperature, T <sub>stg</sub>                     | -60       | 150        | °C   |

- (1) Stresses beyond those listed under *Absolute Maximum Rating* may cause permanent damage to the device. These are stress ratings only, which do not imply functional operation of the device at these or any other conditions beyond those indicated under *Recommended Operating Condition*. Exposure to absolute-maximum-rated conditions for extended periods may affect device reliability.
- (2) AINx/GPIOx refers to pins 1, 2, 3, 4, 5, 6, 15, and 16.
- (3) Pin current must be limited to 10mA or less.

### 7.2 ESD Ratings

|                    |                         |                                                                                          | VALUE | UNIT |
|--------------------|-------------------------|------------------------------------------------------------------------------------------|-------|------|
| V <sub>(ESD)</sub> | Electrostatic discharge | Human body model (HBM), per ANSI/ESDA/JEDEC JS-001, all pins <sup>(1)</sup>              | ±2000 | V    |
|                    |                         | Charged device model (CDM), per JEDEC specification JESD22-C101, all pins <sup>(2)</sup> | ±500  |      |

- (1) JEDEC document JEP155 states that 500-V HBM allows safe manufacturing with a standard ESD control process.
- (2) JEDEC document JEP157 states that 250-V CDM allows safe manufacturing with a standard ESD control process.

### 7.3 Recommended Operating Conditions

over operating free-air temperature range (unless otherwise noted)

| PARAMETER                |                        | TEST CONDITIONS                       | MIN  | TYP | MAX        | UNIT |
|--------------------------|------------------------|---------------------------------------|------|-----|------------|------|
| <b>POWER SUPPLY</b>      |                        |                                       |      |     |            |      |
| AVDD                     | Analog supply voltage  |                                       | 2.35 | 3.3 | 5.5        | V    |
| DVDD                     | Digital supply voltage |                                       | 1.65 | 3.3 | 5.5        | V    |
| <b>ANALOG INPUTS</b>     |                        |                                       |      |     |            |      |
| FSR                      | Full-scale input range | AIN <sub>x</sub> <sup>(1)</sup> - GND | 0    |     | AVDD       | V    |
| V <sub>IN</sub>          | Absolute input voltage | AIN <sub>x</sub> - GND                | -0.1 |     | AVDD + 0.1 | V    |
| <b>TEMPERATURE RANGE</b> |                        |                                       |      |     |            |      |
| T <sub>A</sub>           | Ambient temperature    |                                       | -40  | 25  | 125        | °C   |

- (1) AINx refers to AIN0, AIN1, AIN2, AIN3, AIN4, AIN5, AIN6, and AIN7.

### 7.4 Thermal Information

| THERMAL METRIC <sup>(1)</sup> |                                              | ADS7138    | UNIT |
|-------------------------------|----------------------------------------------|------------|------|
|                               |                                              | RTE (WQFN) |      |
|                               |                                              | 16 PINS    |      |
| R <sub>θJA</sub>              | Junction-to-ambient thermal resistance       | 49.7       | °C/W |
| R <sub>θJC(top)</sub>         | Junction-to-case (top) thermal resistance    | 53.4       | °C/W |
| R <sub>θJB</sub>              | Junction-to-board thermal resistance         | 24.7       | °C/W |
| Ψ <sub>JT</sub>               | Junction-to-top characterization parameter   | 1.3        | °C/W |
| Ψ <sub>JB</sub>               | Junction-to-board characterization parameter | 24.7       | °C/W |
| R <sub>θJC(bot)</sub>         | Junction-to-case (bottom) thermal resistance | 9.3        | °C/W |

- (1) For more information about traditional and new thermal metrics, see the [Semiconductor and IC Package Thermal Metrics](#) application report.

## 7.5 Electrical Characteristics

at AVDD = 5 V, DVDD = 1.65 V to 5.5 V, and maximum throughput (unless otherwise noted); minimum and maximum values at TA = –40°C to +125°C; typical values at TA = 25°C.

| PARAMETER                              |                                    | TEST CONDITIONS                                                          | MIN        | TYP   | MAX        | UNIT   |
|----------------------------------------|------------------------------------|--------------------------------------------------------------------------|------------|-------|------------|--------|
| <b>ANALOG INPUTS</b>                   |                                    |                                                                          |            |       |            |        |
| C <sub>SH</sub>                        | Sampling capacitance               |                                                                          |            | 12    |            | pF     |
| <b>DC PERFORMANCE</b>                  |                                    |                                                                          |            |       |            |        |
|                                        | Resolution                         | No missing codes                                                         |            | 12    |            | bits   |
| DNL                                    | Differential nonlinearity          |                                                                          | –0.9       | ±0.2  | 0.9        | LSB    |
| INL                                    | Integral nonlinearity              |                                                                          | –2         | ±0.5  | 2          | LSB    |
| V <sub>(OS)</sub>                      | Input offset error                 | Post offset calibration                                                  | –2         | ±0.3  | 2          | LSB    |
|                                        | Input offset thermal drift         | Post offset calibration                                                  |            | ±5    |            | ppm/°C |
|                                        | Offset error match                 |                                                                          | –1         | ±0.5  | 1          | LSB    |
| G <sub>E</sub>                         | Gain error                         |                                                                          | –0.1       | ±0.05 | 0.1        | %FSR   |
|                                        | Gain error thermal drift           |                                                                          |            | ±5    |            | ppm/°C |
|                                        | Gain error match                   |                                                                          | –0.05      | ±0.01 | 0.05       | %FSR   |
| <b>AC PERFORMANCE</b>                  |                                    |                                                                          |            |       |            |        |
| SINAD                                  | Signal-to-noise + distortion ratio | AVDD = 5 V, f <sub>IN</sub> = 2 kHz                                      | 68.5       | 71.5  |            | dB     |
|                                        |                                    | AVDD = 3 V, f <sub>IN</sub> = 2 kHz                                      | 67.5       | 70.5  |            |        |
| SNR                                    | Signal-to-noise ratio              | AVDD = 5 V, f <sub>IN</sub> = 2 kHz                                      | 69         | 72    |            | dB     |
|                                        |                                    | AVDD = 3 V, f <sub>IN</sub> = 2 kHz                                      | 68         | 71    |            |        |
| THD                                    | Total harmonic distortion          | f <sub>IN</sub> = 2 kHz                                                  |            | –85   |            | dB     |
| SFDR                                   | Spurious-free dynamic range        | f <sub>IN</sub> = 2 kHz                                                  |            | 91    |            | dB     |
|                                        | Crosstalk                          | 100-kHz signal applied on any OFF channel and measured on ON the channel |            | –100  |            | dB     |
| <b>DECAP Pin</b>                       |                                    |                                                                          |            |       |            |        |
|                                        | Decoupling capacitor on DECAP pin  |                                                                          | 0.22       | 1     |            | μF     |
| <b>DIGITAL INPUT/OUTPUT (SCL, SDA)</b> |                                    |                                                                          |            |       |            |        |
| V <sub>IH</sub>                        | Input high logic level             | All I <sup>2</sup> C modes                                               | 0.7 x DVDD |       | DVDD       | V      |
| V <sub>IL</sub>                        | Input low logic level              | All I <sup>2</sup> C modes                                               | –0.3       |       | 0.3 x DVDD | V      |
| V <sub>OL</sub>                        | Output low logic level             | Sink current = 2 mA, DVDD > 2 V                                          | 0          |       | 0.4        | V      |
|                                        |                                    | Sink current = 2 mA, DVDD ≤ 2 V                                          | 0          |       | 0.2 x DVDD |        |
| I <sub>OL</sub>                        | Low-level output current (sink)    | V <sub>OL</sub> = 0.4 V, standard and fast Mode                          |            |       | 3          | mA     |
|                                        |                                    | V <sub>OL</sub> = 0.6 V, fast mode                                       |            |       | 6          |        |
|                                        |                                    | V <sub>OL</sub> = 0.4 V, fast mode plus                                  |            |       | 20         |        |
| <b>GPIOs</b>                           |                                    |                                                                          |            |       |            |        |
| V <sub>IH</sub>                        | Input high logic level             |                                                                          | 0.7 x AVDD |       | AVDD + 0.3 | V      |
| V <sub>IL</sub>                        | Input low logic level              |                                                                          | –0.3       |       | 0.3 x AVDD | V      |
|                                        | Input leakage current              | GPIO configured as input                                                 |            | 10    | 100        | nA     |
| V <sub>OH</sub>                        | Output high logic level            | GPO_DRIVE_CFG = push-pull, I <sub>SOURCE</sub> = 2 mA                    | 0.8 x AVDD |       | AVDD       | V      |
| V <sub>OL</sub>                        | Output low logic level             | I <sub>SINK</sub> = 2 mA                                                 | 0          |       | 0.2 x AVDD | V      |
| I <sub>OH</sub>                        | Output high source current         | V <sub>OH</sub> > 0.7 x AVDD                                             |            |       | 5          | mA     |
| I <sub>OL</sub>                        | Output low sink current            | V <sub>OL</sub> < 0.3 x AVDD                                             |            |       | 5          | mA     |
| <b>DIGITAL OUTPUT (ALERT)</b>          |                                    |                                                                          |            |       |            |        |
| V <sub>OH</sub>                        | Output high logic level            | GPO_DRIVE_CFG = push-pull, I <sub>SOURCE</sub> = 2 mA                    | 0.8 x DVDD |       | DVDD       | V      |
| V <sub>OL</sub>                        | Output low logic level             | I <sub>SINK</sub> = 2 mA                                                 | 0          |       | 0.2 x DVDD | V      |

## Electrical Characteristics (continued)

at AVDD = 5 V, DVDD = 1.65 V to 5.5 V, and maximum throughput (unless otherwise noted); minimum and maximum values at T<sub>A</sub> = –40°C to +125°C; typical values at T<sub>A</sub> = 25°C.

| PARAMETER                    |                          | TEST CONDITIONS                              | MIN | TYP | MAX | UNIT |
|------------------------------|--------------------------|----------------------------------------------|-----|-----|-----|------|
| I <sub>OH</sub>              | Output high sink current | V <sub>OH</sub> > 0.7 x DVDD                 |     |     | 5   | mA   |
| I <sub>OL</sub>              | Output low sink current  | V <sub>OL</sub> < 0.3 x DVDD                 |     |     | 5   | mA   |
| <b>POWER SUPPLY CURRENTS</b> |                          |                                              |     |     |     |      |
| I <sub>AVDD</sub>            | Analog supply current    | I <sup>2</sup> C high-speed mode, AVDD = 5 V |     | 260 | 430 | μA   |
|                              |                          | I <sup>2</sup> C fast mode plus, AVDD = 5 V  |     | 83  | 140 |      |
|                              |                          | I <sup>2</sup> C fast mode, AVDD = 5 V       |     | 35  | 57  |      |
|                              |                          | I <sup>2</sup> C standard mode, AVDD = 5 V   |     | 10  | 20  |      |
|                              |                          | No conversion, AVDD = 5 V                    |     | 5   | 15  |      |

## 7.6 I<sup>2</sup>C Timing Requirements

|                    |                                               | MODE      |     |                 |     | UNIT |
|--------------------|-----------------------------------------------|-----------|-----|-----------------|-----|------|
|                    |                                               | FAST MODE |     | HIGH-SPEED MODE |     |      |
|                    |                                               | MIN       | MAX | MIN             | MAX |      |
| f <sub>SCL</sub>   | SCL clock frequency <sup>(1)</sup>            |           | 1   |                 | 3.4 | MHz  |
| t <sub>SUSTA</sub> | START condition setup time for repeated start | 260       |     | 160             |     | ns   |
| t <sub>HDSTA</sub> | Start condition hold time                     | 260       |     | 160             |     | ns   |
| t <sub>LOW</sub>   | Clock low period                              | 500       |     | 160             |     | ns   |
| t <sub>HIGH</sub>  | Clock high period                             | 260       |     | 60              |     | ns   |
| t <sub>SUDAT</sub> | Data in setup time                            | 50        |     | 10              |     | ns   |
| t <sub>HDDAT</sub> | Data in hold time                             | 0         |     | 0               |     | ns   |
| t <sub>R</sub>     | SCL rise time                                 |           | 120 |                 | 80  | ns   |
| t <sub>F</sub>     | SCL fall time                                 |           | 120 |                 | 80  | ns   |
| t <sub>SUSTO</sub> | STOP condition hold time                      | 260       |     | 60              |     | ns   |
| t <sub>BUF</sub>   | Bus free time before new transmission         | 500       |     | 300             |     | ns   |

(1) Bus load (C<sub>B</sub>) consideration; C<sub>B</sub> ≤ 400 pF for f<sub>SCL</sub> ≤ 1 MHz; C<sub>B</sub> < 100 pF for f<sub>SCL</sub> = 3.4 MHz.

## 7.7 Timing Requirements

at AVDD = 2.35 V to 5 V, DVDD = 1.65 V to 5.5 V, and maximum throughput (unless otherwise noted); minimum and maximum values at T<sub>A</sub> = –40°C to +125°C; typical values at T<sub>A</sub> = 25°C.

|                  |                  | MIN | MAX | UNIT |
|------------------|------------------|-----|-----|------|
| t <sub>ACQ</sub> | Acquisition time | 300 |     | ns   |

## 7.8 I<sup>2</sup>C Switching Characteristics

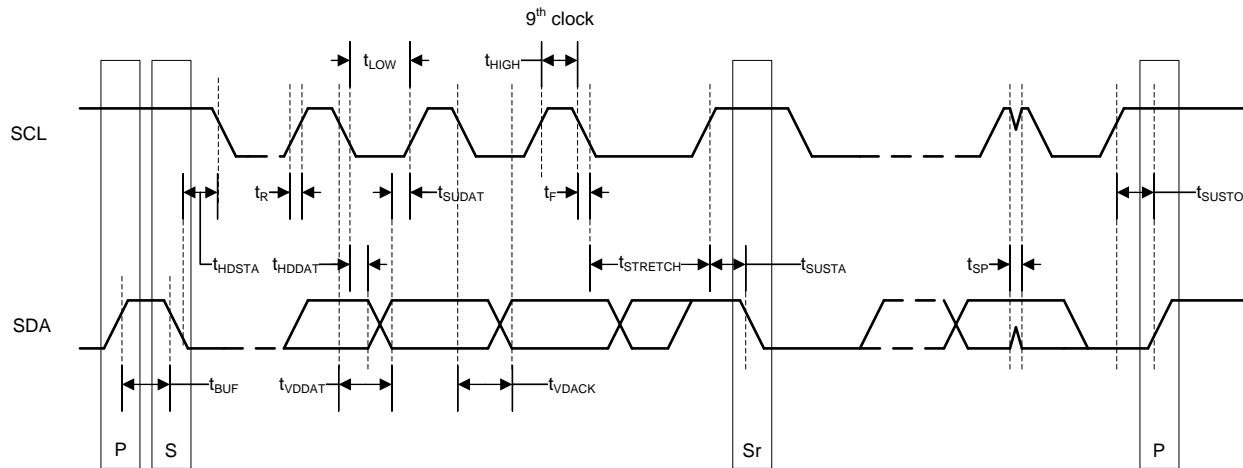
|                      |                                                                       | MODE      |      |                 |     | UNIT |
|----------------------|-----------------------------------------------------------------------|-----------|------|-----------------|-----|------|
|                      |                                                                       | FAST MODE |      | HIGH-SPEED MODE |     |      |
|                      |                                                                       | MIN       | MAX  | MIN             | MAX |      |
| t <sub>VDDATA</sub>  | SCL low to SDA data out valid                                         |           | 450  |                 | 200 | ns   |
| t <sub>VDACK</sub>   | SCL low to SDA acknowledge time                                       |           | 450  |                 | 200 | ns   |
| t <sub>STRETCH</sub> | Clock stretch time in one-shot conversion mode; during ADC conversion |           | 1200 |                 | 950 | ns   |
| t <sub>SP</sub>      | Noise suppression time constant on SDA and SCL                        |           | 50   |                 | 10  | ns   |

### 7.9 Switching Characteristics

at AVDD = 2.35 V to 5 V, DVDD = 1.65 V to 5.5 V, and maximum throughput (unless otherwise noted); minimum and maximum values at TA = -40°C to +125°C; typical values at TA = 25°C.

| PARAMETER               | TEST CONDITIONS                                                  | MIN                            | MAX                  | UNIT |    |
|-------------------------|------------------------------------------------------------------|--------------------------------|----------------------|------|----|
| <b>CONVERSION CYCLE</b> |                                                                  |                                |                      |      |    |
| t <sub>CONV</sub>       | ADC conversion time                                              | Manual and auto sequence modes | t <sub>STRETCH</sub> | ns   |    |
|                         |                                                                  | Autonomous mode                | 550                  | ns   |    |
| <b>RESET AND ALERT</b>  |                                                                  |                                |                      |      |    |
| t <sub>PU</sub>         | Power-up time for device                                         | AVDD ≥ 2.35 V                  | 5                    | ms   |    |
| t <sub>RST</sub>        | Delay time; RST bit = 1b to device reset complete <sup>(1)</sup> |                                | 5                    | ms   |    |
| t <sub>ALERT_HI</sub>   | ALERT high period                                                | ALERT_LOGIC[1:0] = 1x          | 85                   | 105  | ns |
| t <sub>ALERT_LO</sub>   | ALERT low period                                                 | ALERT_LOGIC[1:0] = 1x          | 85                   | 105  | ns |

(1) RST bit is automatically reset to 0b after t<sub>RST</sub>.



NOTE: S = start, Sr = repeated start, and P = stop.

Figure 1. I<sup>2</sup>C Timing Diagram

ADVANCE INFORMATION



## 8 Detailed Description

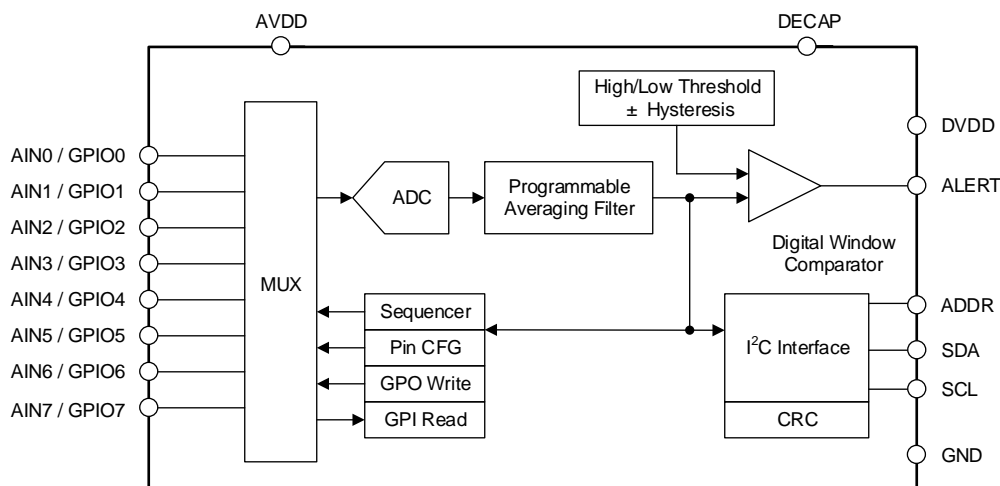
### 8.1 Overview

The ADS7138 is a small, eight-channel, multiplexed, 12-bit, analog-to-digital converter (ADC) with an I<sup>2</sup>C-compatible serial interface. The eight channels of the ADS7138 can be individually configured as either analog inputs, digital inputs, or digital outputs. The device includes a digital comparator with a dedicated alert pin that can be used to interrupt the host when a programmed high or low threshold is crossed on any input channel. The device uses an internal oscillator for conversion. The ADC can be used in the manual mode for reading ADC data over the I<sup>2</sup>C interface or in autonomous mode for monitoring the analog inputs without an active I<sup>2</sup>C interface.

The device features a programmable averaging filter that outputs a 16-bit result for enhanced resolution.

The I<sup>2</sup>C serial interface supports standard-mode, fast-mode, fast-mode plus, and high-speed mode. The device also features an 8-bit cyclic redundancy check (CRC) for the serial communication interface.

### 8.2 Functional Block Diagram

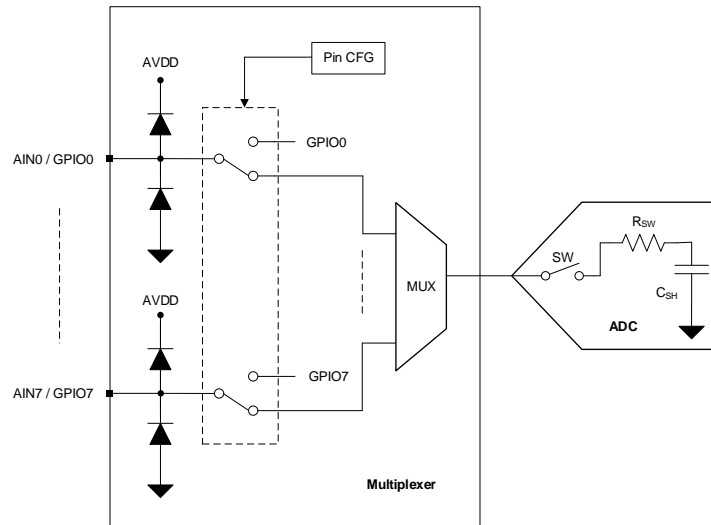


## 8.3 Feature Description

### 8.3.1 Multiplexer and ADC

The eight channels of the multiplexer can be independently configured as ADC inputs or general-purpose inputs/outputs (GPIOs). [Figure 2](#) shows that each input pin has electrostatic discharge (ESD) protection diodes to AVDD and GND. On power-up or after device reset, all eight multiplexer channels are configured as analog inputs.

[Figure 2](#) shows an equivalent circuit for pins configured as analog inputs. The ADC sampling switch is represented by an ideal switch (SW) in series with the resistor,  $R_{SW}$  (typically 150  $\Omega$ ), and the sampling capacitor,  $C_{SH}$  (typically 12 pF).



**Figure 2. Analog Inputs, GPIOs, and ADC Connections**

During acquisition, the SW switch is closed to allow the signal on the selected analog input channel to charge the internal sampling capacitor. During conversion, the SW switch is opened to disconnect the analog input channel from the sampling capacitor.

The multiplexer channels can be configured as GPIOs in the PIN\_CFG register. The direction of a GPIO (either as an input or an output) can be set in the GPIO\_CFG register. The logic level on the channels configured as digital inputs can be read from the GPI\_VALUE register. The digital outputs can be accessed by writing to the GPO\_OUTPUT\_VALUE register. The digital outputs can be configured as either open-drain or push-pull in the GPO\_DRIVE\_CFG register.

### 8.3.2 Reference

The device uses the analog supply voltage (AVDD) as a reference for the analog-to-digital conversion process. TI recommends connecting a 1- $\mu$ F, low-equivalent series resistance (ESR) ceramic decoupling capacitor between the AVDD and GND pins.

### 8.3.3 ADC Transfer Function

The ADC output is in straight binary format. [Equation 1](#) computes the ADC resolution:

$$1 \text{ LSB} = V_{REF} / 2^N$$

where:

- $V_{REF} = AVDD$
- $N = 12$

(1)

[Figure 3](#) and [Table 1](#) detail the transfer characteristics for the device.

Feature Description (continued)

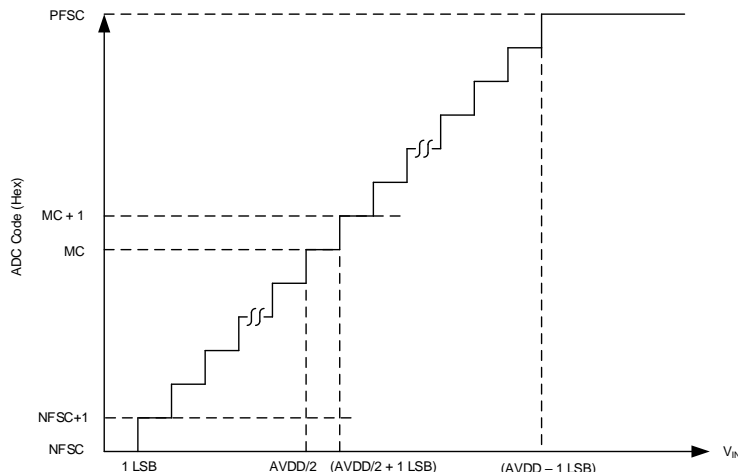


Figure 3. Ideal Transfer Characteristics

Table 1. Transfer Characteristics

| INPUT VOLTAGE                                | CODE     | DESCRIPTION              | IDEAL OUTPUT CODE |
|----------------------------------------------|----------|--------------------------|-------------------|
| $\leq 1$ LSB                                 | NFSC     | Negative full-scale code | 000               |
| 1 LSB to 2 LSBs                              | NFSC + 1 | —                        | 001               |
| $(AVDD / 2)$ to $(AVDD / 2) + 1$ LSB         | MC       | Mid code                 | 800               |
| $(AVDD / 2) + 1$ LSB to $(AVDD / 2) + 2$ LSB | MC + 1   | —                        | 801               |
| $\geq AVDD - 1$ LSB                          | PFSC     | Positive full-scale code | FFF               |

8.3.4 ADC Offset Calibration

The variation in ADC offset error resulting from changes in temperature or AVDD can be calibrated by setting the CAL bit in the GENERAL\_CFG register. The CAL bit is reset to 0 after calibration. The host can poll the CAL bit to check the ADC offset calibration completion status.

8.3.5 I<sup>2</sup>C Address Selector

The I<sup>2</sup>C address for the device is determined by connecting external resistors on the ADDR pin. The device address is determined at power-up based on the resistor values. The device retains this address until the next power-up event, until the next device reset, or until the device receives a command to program its own address. Figure 4 shows a connection diagram for the ADDR pin and Table 2 lists the resistor values for selecting different addresses of the device.

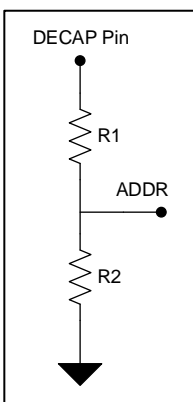


Figure 4. External Resistor Connection Diagram for the ADDR Pin

ADVANCE INFORMATION

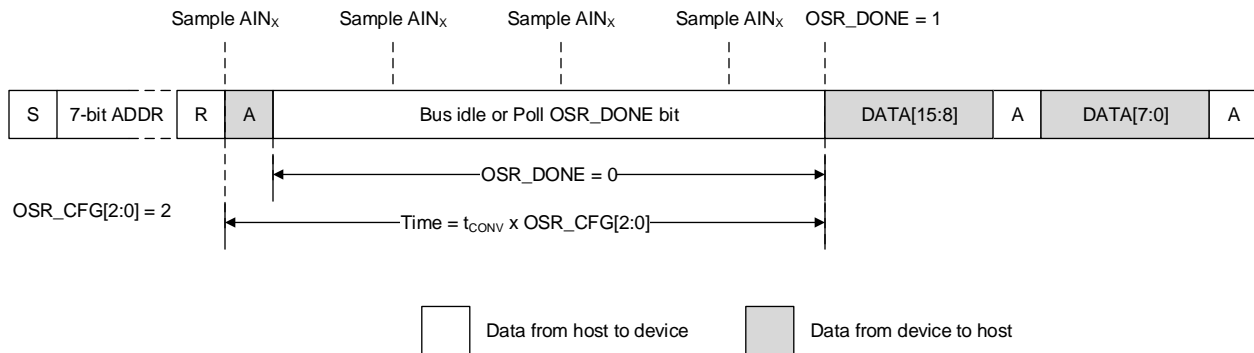
**Table 2. I<sup>2</sup>C Address Selection**

| RESISTORS          |                           | ADDRESS         |
|--------------------|---------------------------|-----------------|
| R1 <sup>(1)</sup>  | R2 <sup>(1)</sup>         |                 |
| 0 Ω                | DNP <sup>(2)</sup>        | 001 0111b (17h) |
| 11 kΩ              | DNP <sup>(2)</sup>        | 001 0110b (16h) |
| 33 kΩ              | DNP <sup>(2)</sup>        | 001 0101b (15h) |
| 100 kΩ             | DNP <sup>(2)</sup>        | 001 0100b (14h) |
| DNP <sup>(2)</sup> | 0 Ω or DNP <sup>(2)</sup> | 001 0000b (10h) |
| DNP <sup>(2)</sup> | 11 kΩ                     | 001 0001b (11h) |
| DNP <sup>(2)</sup> | 33 kΩ                     | 001 0010b (12h) |
| DNP <sup>(2)</sup> | 100 kΩ                    | 001 0011b (13h) |

- (1) Tolerance for R1, R2 ≤ ±5%.
- (2) DNP = Do not populate.

### 8.3.6 Programmable Averaging Filter

The ADS7138 features a built-in oversampling (OSR) function that can be used to average several samples. The averaging filter can be enabled by programming the OSR[2:0] bits in the OSR\_CFG register. The averaging filter configuration is common to all analog input channels. Figure 5 shows that the averaging filter module output is 16 bits long. In the manual conversion mode and auto-sequence mode, only the first conversion for the selected analog input channel must be initiated by the host; see the *Manual Mode* and *Auto-Sequence Mode* sections. As shown in Figure 5, any remaining conversions for the selected averaging factor are generated internally. The time required to complete the averaging operation is determined by the sampling speed and number of samples to be averaged. As shown in Figure 5, the 16-bit result can be read out after the averaging operation completes.



**Figure 5. Averaging Example**

In Figure 5, SCL is stretched by the device after the start of conversions until the averaging operation is complete.

If SCL stretching is not required during averaging, enable the statistics registers by setting STATS\_EN to 1b and initiate conversions by writing 1b to the CNVST bit. The OSR\_DONE bit in the SYSTEM\_STATUS register can be polled to check the averaging completion status. When using the CNVST bit to initiate conversion, the result can be read in the RECENT\_CHx\_LSB and RECENT\_CHx\_MSB registers.

In the autonomous mode of operation, samples from the analog input channels that are enabled in the AUTO\_SEQ\_CH\_SEL register are averaged sequentially; see the *Autonomous Mode* section. The digital window comparator compares the top 12 bits of the 16-bit average result with the thresholds.

Equation 2 provides the LSB value of the 16-bit average result.

$$1 \text{ LSB} = \frac{AVDD}{2^{16}} \tag{2}$$

### 8.3.7 CRC on Data Interface

The ADS7138 features a cyclic redundancy check (CRC) module for checking the integrity of the data bits exchanged over the I<sup>2</sup>C interface. The CRC module is bidirectional and appends an 8-bit CRC to every byte read from the device while also evaluating the CRC of every incoming byte over the I<sup>2</sup>C interface. The CRC module uses the CRC-8-CCITT polynomial ( $x^8 + x^2 + x + 1$ ) for CRC computation.

To enable the CRC module, set the CRC\_EN bit in the GENERAL\_CFG register. [Table 3](#) shows how a CRC error can be detected when configuring the ADS7138.

**Table 3. Configuration Notifications When a CRC Error is Detected**

| CRC ERROR NOTIFICATION | CONFIGURATION       | DESCRIPTION                                                                                                      |
|------------------------|---------------------|------------------------------------------------------------------------------------------------------------------|
| ALERT pin              | ALERT_CRCIN = 1b    | ALERT pin is asserted if a CRC error is detected by the device.                                                  |
| Status flags           | APPEND_STATUS = 10b | 4-bit status flags are appended to the ADC data; see the <a href="#">Output Data Format</a> section for details. |
| Register read          | —                   | Read the CRC_ERR_IN bit to check if a CRC error is detected.                                                     |

When the ADS7138 detects a CRC error, the erroneous data are ignored and the CRC\_ERR\_IN bit is set. [Table 3](#) describes the additional notifications that can be enabled. Further register writes are disabled until the CRC\_ERR\_IN bit is cleared by writing 1b to it. When using autonomous mode, further conversions can be disabled on the CRC error by setting CONV\_ON\_ERR to 1b; see the [Autonomous Mode](#) section.

### 8.3.8 General-Purpose I/Os (GPIOs)

The eight channels of the ADS7138 can be independently configured as analog inputs, digital inputs, or digital outputs. [Table 4](#) describes how the PIN\_CFG and GPIO\_CFG registers can be used to configure the channels.

**Table 4. Configuring Channels as Analog Inputs or GPIOs**

| PIN_CFG[7:0] | GPIO_CFG[7:0] |  | GPO_DRIVE_CF G[7:0] | CHANNEL CONFIGURATION             |
|--------------|---------------|--|---------------------|-----------------------------------|
| 0            | x             |  | x                   | Analog input (default)            |
| 1            | 0             |  | x                   | Digital input                     |
| 1            | 1             |  | 0                   | Digital output; open-drain driver |
| 1            | 1             |  | 1                   | Digital output; push-pull driver  |

The digital outputs can be configured to logic 1 or 0 by writing to the GPO\_OUTPUT\_VALUE register. Reading the GPI\_VALUE register returns the logic level for all channels configured as digital inputs.

### 8.3.9 Oscillator and Timing Control

The device uses an internal oscillator for conversions. When using the averaging module, the host initiates the first conversion and all subsequent conversions are generated internally by the device. [Table 5](#) shows that when the device generates the start of the conversion, the sampling rate is controlled by the OSC\_SEL and CLK\_DIV[3:0] register fields.

**Table 5. Configuring Sampling Rate for Internal Conversion Start Control**

| CLK_DIV[3:0] | OSC_SEL = 0                                   |                                                  | OSC_SEL = 1                                   |                                                  |
|--------------|-----------------------------------------------|--------------------------------------------------|-----------------------------------------------|--------------------------------------------------|
|              | SAMPLING FREQUENCY, $f_{\text{CYCLE}}$ (kSPS) | CYCLE TIME, $t_{\text{CYCLE}}$ ( $\mu\text{s}$ ) | SAMPLING FREQUENCY, $f_{\text{CYCLE}}$ (kSPS) | CYCLE TIME, $t_{\text{CYCLE}}$ ( $\mu\text{s}$ ) |
| 0000b        | 1000                                          | 1                                                | 31.25                                         | 32                                               |
| 0001b        | 666.7                                         | 1.5                                              | 20.83                                         | 48                                               |
| 0010b        | 500                                           | 2                                                | 15.63                                         | 64                                               |
| 0011b        | 333.3                                         | 3                                                | 10.42                                         | 96                                               |
| 0100b        | 250                                           | 4                                                | 7.81                                          | 128                                              |
| 0101b        | 166.7                                         | 6                                                | 5.21                                          | 192                                              |
| 0110b        | 125                                           | 8                                                | 3.91                                          | 256                                              |
| 0111b        | 83                                            | 12                                               | 2.60                                          | 384                                              |
| 1000b        | 62.5                                          | 16                                               | 1.95                                          | 512                                              |
| 1001b        | 41.7                                          | 24                                               | 1.3                                           | 768                                              |
| 1010b        | 31.3                                          | 32                                               | 0.98                                          | 1024                                             |
| 1011b        | 20.8                                          | 48                                               | 0.65                                          | 1536                                             |
| 1100b        | 15.6                                          | 64                                               | 0.49                                          | 2048                                             |
| 1101b        | 10.4                                          | 96                                               | 0.33                                          | 3072                                             |

The conversion time of the device (see  $t_{\text{CONV}}$  in the [Switching Characteristics](#) table) is independent of the OSC\_SEL and CLK\_DIV[3:0] configuration.

### 8.3.10 Output Data Format

[Figure 6](#) illustrates various I<sup>2</sup>C frames for reading data.

- Read the ADC conversion result: Two 8-bit I<sup>2</sup>C packets are required (frame A).
- Read the averaged conversion result: Two 8-bit I<sup>2</sup>C packets are required (frame B).
- Read data with the channel ID appended: The 4-bit channel ID can be appended to the 12-bit ADC result by configuring the APPEND\_STATUS field in the GENERAL\_CFG register. When the channel ID is appended to the 12-bit ADC data, two I<sup>2</sup>C packets are required (frame C). If the channel ID is appended to the 16-bit average result, three I<sup>2</sup>C frames are required (frame D).

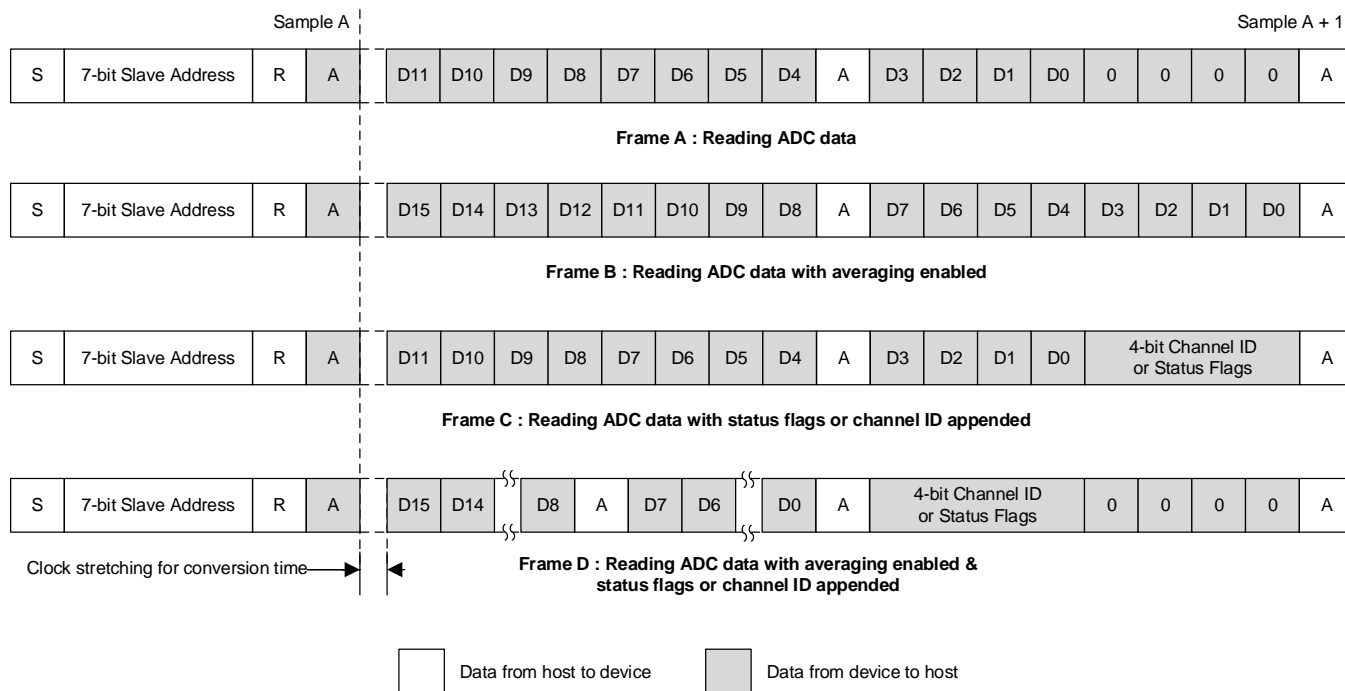


Figure 6. Data Frames for Reading Data

When status flags are enabled, APPEND\_STATUS is set to 10b and four bits are appended to the ADC output. The device outputs status flags in this order: {1b, 0b, CRCERR\_IN, ALERT}. The level transitions on the digital interface, resulting from the fixed 1b and 0b in the status flags, can be used to detect if the digital outputs are shorted to a fixed register voltage in the system. The CRCERR\_IN flag reflects the corresponding bit in the GENERAL\_CFG register. The ALERT flag is the output of the logical OR of the bits in the EVENT\_FLAG register.

### 8.3.11 Digital Window Comparator

The internal digital window comparator (DWC) is available in all functional modes of the device (see the [Device Functional Modes](#) section for details). The digital window comparator controls output of the ALERT pin buffer. The ALERT pin can be configured as open-drain (default) or push-pull output using the ALERT\_DRIVE bit in the ALERT\_PIN\_CFG register. [Figure 7](#) shows a block diagram for the digital window comparator.

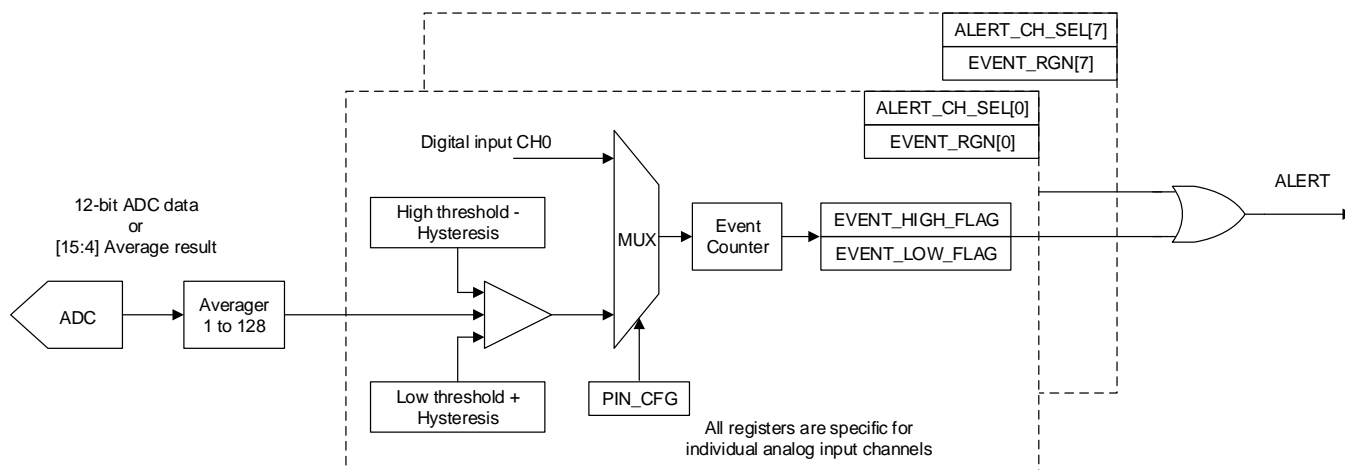
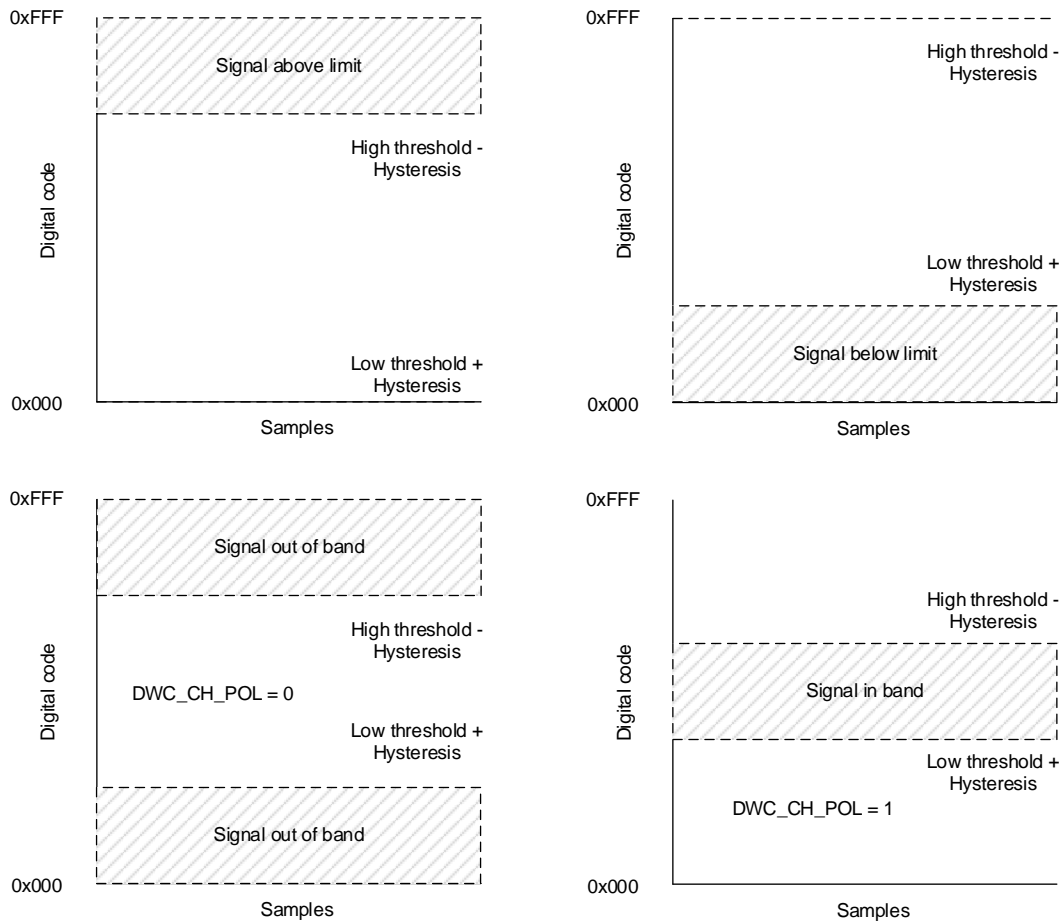


Figure 7. Digital Window Comparator Block Diagram

ADVANCE INFORMATION

The low-side threshold, high-side threshold, event counter, and hysteresis parameters are independently programmable for each input channel. Figure 8 shows the events that can be monitored for every analog input channel by the window comparator.



**Figure 8. Event Monitoring With the Window Comparator**

To enable the digital window comparator, set the `DWC_EN` bit in the `GENERAL_CFG` register. By default, hysteresis is 0, the high threshold is 0xFFFF, and the low threshold is 0x000. A 12-bit straight binary code cannot be higher than 0xFFFF or lower than 0x000, thus the thresholds have no effect unless set to different values. Figure 8 shows the various types of event that can be detected by adjusting the thresholds. For detecting when a signal is in-band, the `EVENT_RGN` register must be configured. In each of the cases shown in Figure 8, either or both `EVENT_HIGH_FLAG` and `EVENT_LOW_FLAG` can be set.

The programmable event counter counts consecutive thresholds violations before alert flags can be set. The event count can be set to a higher value to avoid transients in the input signal setting the alert flags.

In order to assert the `ALERT` pin when the alert flag is set for a particular analog input channel, set the corresponding bit in the `ALERT_CH_SEL` register. Alert flags are set regardless of the `ALERT_CH_SEL` configuration if `DWC_EN` is 1 and the high or low thresholds are exceeded.



### 8.3.11.1 Interrupts From Digital Inputs

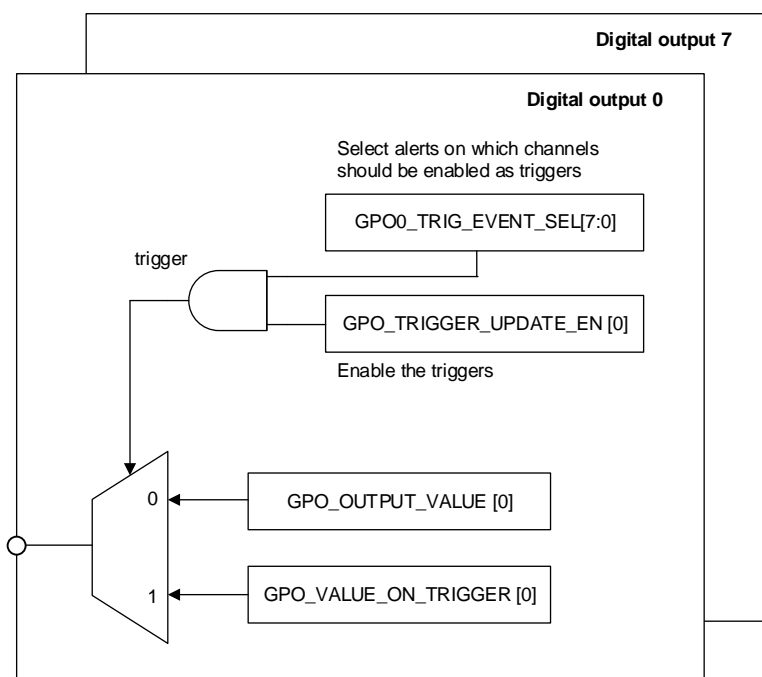
Logic 1 or logic 0 events can be detected on channels configured as digital inputs, as shown in Table 6, by enabling the corresponding ALERT\_CH\_SEL bit.

**Table 6. Configuring Interrupts From Digital Inputs**

| PIN_CFG[7:0] | GPIO_CFG[7:0] | ALERT_CH_SEL[7:0] | EVENT_RGN [7:0] | EVENT DESCRIPTION                                                |
|--------------|---------------|-------------------|-----------------|------------------------------------------------------------------|
| 1            | 0             | 1                 | 0               | EVENT_HIGH_FLAG is set when digital input channel is at logic 1. |
| 1            | 0             | 1                 | 1               | EVENT_LOW_FLAG is set when digital input channel is at logic 0.  |

### 8.3.11.2 Changing Digital Outputs on Alert

Figure 9 shows how digital outputs can be updated in response to alerts from individual channels.



**Figure 9. Block Diagram for the Digital Output Logic**

#### 8.3.11.2.1 Changing Digital Outputs on Alerts

Any given digital output can be updated in response to an alert condition on one or more analog inputs and digital inputs. To update the digital output in response to alert conditions, the trigger must be configured and the value must be launched on the trigger.

### 8.3.11.2.1.1 Trigger

The following events can act as triggers for updating the value on the digital output:

- An alert occurs on one or more analog input channels. The digital window comparator must be enabled for these channels.
- An alert occurs on one or more digital input channels. The digital window comparator must be enabled for these channels.

Configure the GPOx\_TRIG\_EVENT\_SEL register to select which channels, analog inputs, or digital inputs can trigger an update on the digital output pin. After configuring the triggers for updating a digital output, the logic can be enabled by configuring the corresponding bit in the GPO\_TRIGGER\_UPDATE\_EN register.

### 8.3.11.2.1.2 Output Value

The digital outputs can be set to logic 1 or logic 0 in response to the triggers. The value to be updated on the digital output when a trigger event occurs can be configured in the GPO\_VALUE\_ON\_TRIGGER register.

## 8.3.12 Minimum, Maximum, and Latest Data Registers

The ADS7138 can record the minimum, maximum, and latest code (statistics registers) for every analog input channel. To enable or re-enable recording statistics, set the STATS\_EN bit in the GENERAL\_CFG register. Writing 1 to the STATS\_EN bit reinitializes the statistics module, after which results from new conversions are recorded in the statistics registers. Until a new conversion result is available, previous values can be read from the statistics registers. Before reading the statistics registers, set STATS\_EN to 0 to prevent any updates to this register block.

## 8.3.13 I<sup>2</sup>C Protocol Features

### 8.3.13.1 General Call

On receiving a general call (00h), the device provides an acknowledge (ACK).

### 8.3.13.2 General Call With Software Reset

On receiving a general call (00h) followed by a software reset (06h), the device resets itself.

### 8.3.13.3 General Call With a Software Write to the Programmable Part of the Slave Address

On receiving a general call (00h) followed by 04h, the device reevaluates its own I<sup>2</sup>C address configured by the ADDR pin. During this operation, the device does not respond to other I<sup>2</sup>C commands except the general-call command.

### 8.3.13.4 Configuring the Device for High-Speed I<sup>2</sup>C Mode

The device can be configured in high-speed I<sup>2</sup>C mode by providing an I<sup>2</sup>C frame with one of these codes: 0x09, 0x0B, 0x0D, or 0x0F.

After receiving one of these codes, the device sets the I2C\_HIGH\_SPEED bit in the SYSTEM\_STATUS register and remains in high-speed I<sup>2</sup>C mode until a STOP condition is received in an I<sup>2</sup>C frame.

## 8.4 Device Functional Modes

Table 7 lists the functional modes supported by the ADS7138.

**Table 7. Functional Modes**

| FUNCTIONAL MODE | CONVERSION CONTROL            | MUX CONTROL                   | CONV_MODE[1:0] | SEQ_MODE[1:0] |
|-----------------|-------------------------------|-------------------------------|----------------|---------------|
| Manual          | 9th falling edge of SCL (ACK) | Register write to MANUAL_CHID | 00b            | 00b           |
| Auto-sequence   | 9th falling edge of SCL (ACK) | Channel sequencer             | 00b            | 01b           |
| Autonomous      | Internal to the device        | Channel sequencer             | 01b            | 01b           |

The device powers up in manual mode (see the [Manual Mode](#) section) and can be configured into any mode listed in [Table 7](#) by writing the configuration registers for the desired mode.

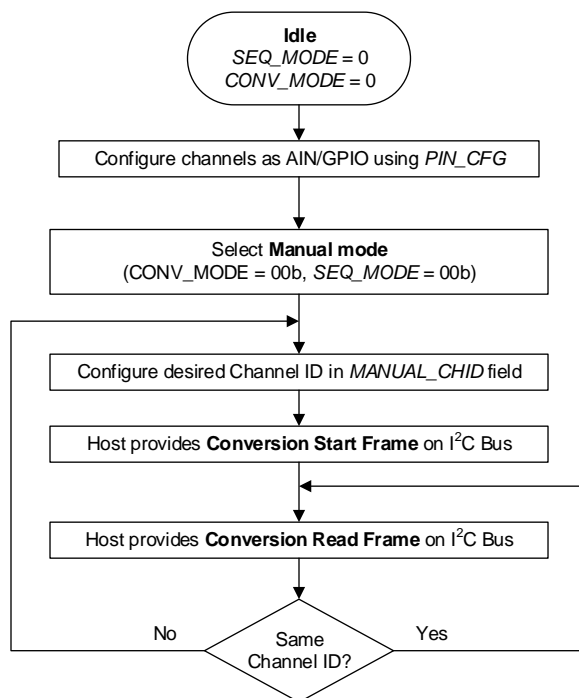
### 8.4.1 Device Power-Up and Reset

On power-up, the device calculates the address from the resistors connected on the ADDR pin and the BOR bit is set, thus indicating a power-cycle or reset event.

The device can be reset by an I<sup>2</sup>C general call (00h) followed by a software reset (06h), by setting the RST bit, or by recycling the power on the AVDD pin.

### 8.4.2 Manual Mode

Manual mode allows the external host processor to directly select the analog input channel. [Figure 10](#) lists the steps for operating the device in manual mode.



Manual mode with channel selection using register write

Figure 10. Device Operation in Manual Mode

Provide an I<sup>2</sup>C start or restart frame to initiate a conversion, as shown in the conversion start frame of [Figure 11](#), after configuring the device registers. ADC data can be read in subsequent I<sup>2</sup>C frames. The number of I<sup>2</sup>C frames required to read conversion data depends on the output data frame size; see the [Output Data Format](#) section for more details. A new conversion is initiated on the ninth falling edge of SCL (ACK bit) when the last byte of output data is read.

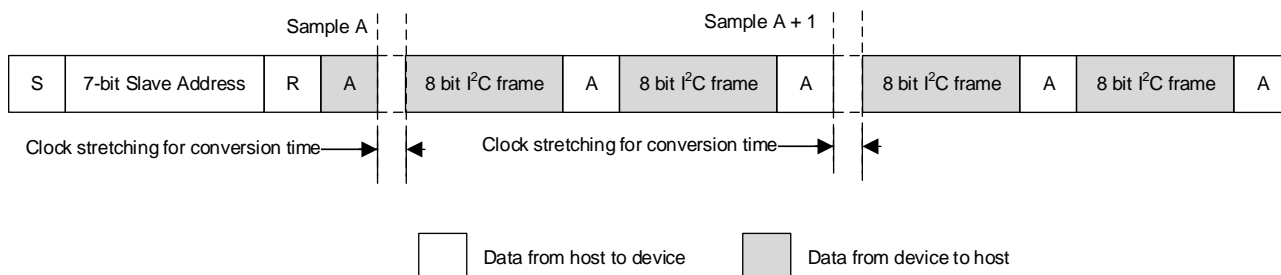
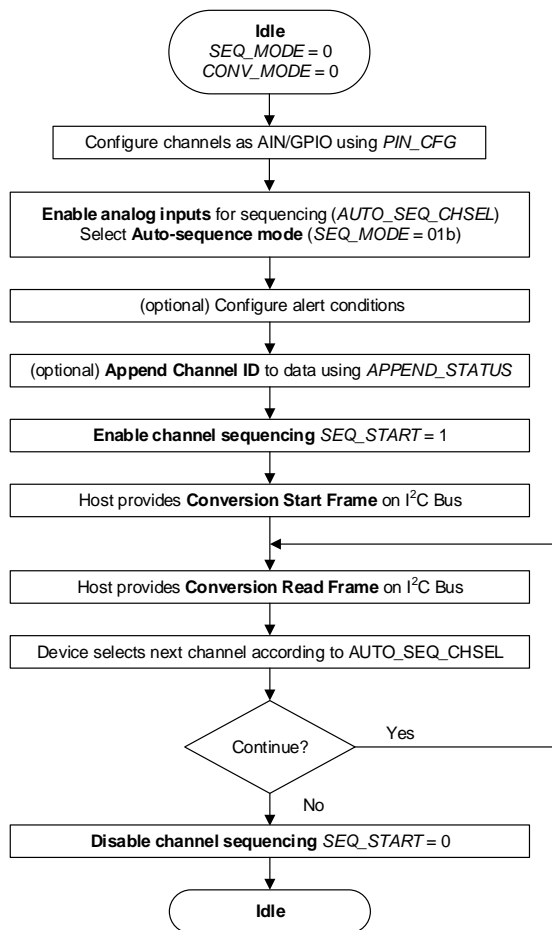


Figure 11. Starting a Conversion and Reading Data in Manual Mode

### 8.4.3 Auto-Sequence Mode

In auto-sequence mode, the internal channel sequencer switches the multiplexer to the next analog input channel after every conversion. The desired analog input channels can be configured for sequencing in the `AUTO_SEQ_CHSEL` register. To enable the channel sequencer, set `SEQ_START` to 1b. After every conversion, the channel sequencer switches the multiplexer to the next analog input in ascending order. To stop the channel sequencer from selecting channels, set `SEQ_START` to 0b. Figure 12 lists the conversion start and read frames for auto-sequence mode.

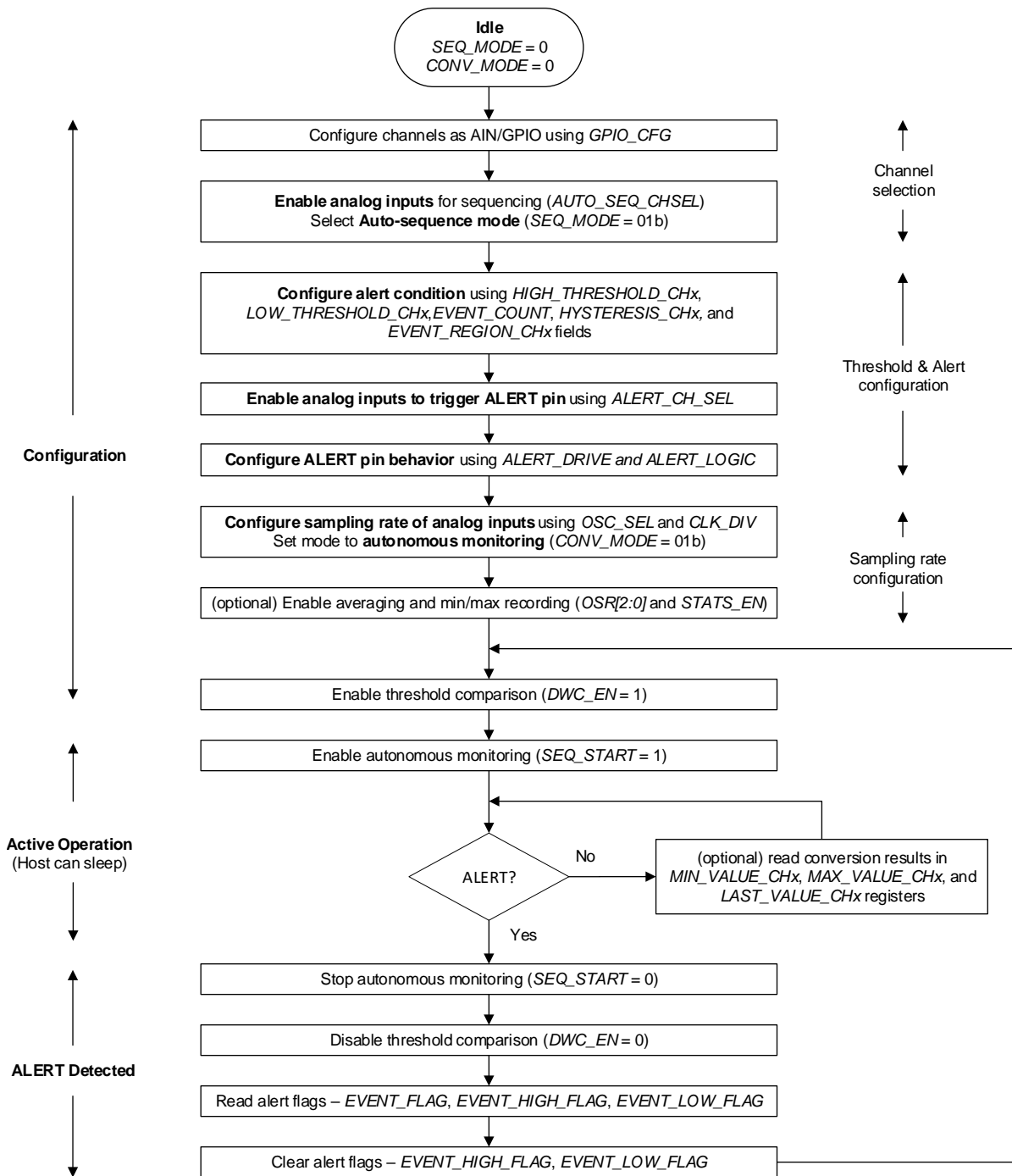


**Figure 12. Device Operation in Auto-Sequence Mode**

### 8.4.4 Autonomous Mode

In autonomous mode, the device can be programmed to monitor the voltage applied on the analog input pins of the device and generate a signal on the ALERT pin when the programmable high or low threshold values are crossed. In this mode, the device generates the start of conversion using the internal oscillator. The first start of conversion must be provided by the host and the device then generates the subsequent start of conversions.

Figure 13 shows the steps for configuring the operation mode to autonomous mode. Abort the ongoing sequence by setting `SEQ_START` to 0b before changing the functional mode or device configuration.



ADVANCE INFORMATION

Figure 13. Configuring the Device in Autonomous Mode

## 8.5 Programming

Table 8 provides the acronyms for different conditions in an I<sup>2</sup>C frame. Table 9 lists the various command opcodes.

**Table 8. I<sup>2</sup>C Frame Acronyms**

| SYMBOL | DESCRIPTION                                      |
|--------|--------------------------------------------------|
| S      | Start condition for the I <sup>2</sup> C frame   |
| Sr     | Restart condition for the I <sup>2</sup> C frame |
| P      | Stop condition for the I <sup>2</sup> C frame    |
| A      | ACK (low)                                        |
| N      | NACK (high)                                      |
| R      | Read bit (high)                                  |
| W      | Write bit (low)                                  |

**Table 9. Opcodes for Commands**

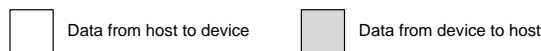
| OPCODE     | COMMAND DESCRIPTION                     |
|------------|-----------------------------------------|
| 0001 0000b | Single register read                    |
| 0000 1000b | Single register write                   |
| 0001 1000b | Set bit                                 |
| 0010 0000b | Clear bit                               |
| 0011 0000b | Reading a continuous block of registers |
| 0010 1000b | Writing a continuous block of registers |

### 8.5.1 Reading Registers

The I<sup>2</sup>C master can either read a single register or a continuous block registers from the device, as described in the *Single Register Read* and *Reading a Continuous Block of Registers* sections.

#### 8.5.1.1 Single Register Read

To read a single register from the device, the I<sup>2</sup>C master must provide an I<sup>2</sup>C command with three frames to set the register address for reading data. Table 9 lists the opcodes for different commands. After this command is provided, the I<sup>2</sup>C master must provide another I<sup>2</sup>C frame (as shown in Figure 14) containing the device address and the read bit. After this frame, the device provides the register data. The device provides the same register data even if the host provides more clocks. To end the register read command, the master must provide a STOP or a RESTART condition in the I<sup>2</sup>C frame.

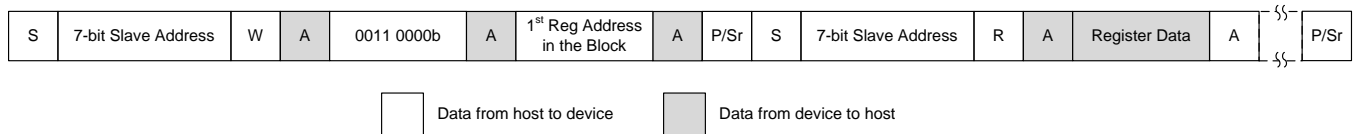


NOTE: S = start, Sr = repeated start, and P = stop.

**Figure 14. Reading Register Data**

### 8.5.1.2 Reading a Continuous Block of Registers

To read a continuous block of registers, the I<sup>2</sup>C master must provide an I<sup>2</sup>C command to set the register address. The register address is the address of the first register in the block that must be read. After this command is provided, the I<sup>2</sup>C master must provide another I<sup>2</sup>C frame, as shown in Figure 15, containing the device address and the read bit. After this frame, the device provides the register data. The device provides data for the next register when more clocks are provided. When data are read from addresses that do not exist in the register map of the device, the device returns zeros. If the device does not have any further registers to provide data on, the device provide zeros. To end the register read command, the master must provide a STOP or a RESTART condition in the I<sup>2</sup>C frame.



NOTE: S = start, Sr = repeated start, and P = stop.

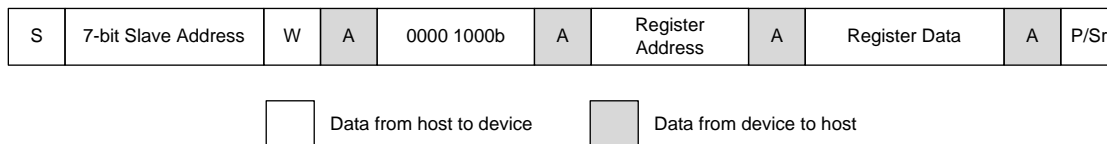
Figure 15. Reading a Continuous Block of Registers

## 8.5.2 Writing Registers

The I<sup>2</sup>C master can either write a single register or a continuous block of registers to the device, set a few bits in a register, or clear a few bits in a register.

### 8.5.2.1 Single Register Write

To write a single register from the device, as shown in Figure 16, the I<sup>2</sup>C master must provide an I<sup>2</sup>C command with four frames. The register address is the address of the register that must be written and the register data is the value that must be written. Table 9 lists the opcodes for different commands. To end the register write command, the master must provide a STOP or a RESTART condition in the I<sup>2</sup>C frame.



NOTE: S = start, Sr = repeated start, and P = stop.

Figure 16. Writing a Single Register

### 8.5.2.2 Set Bit

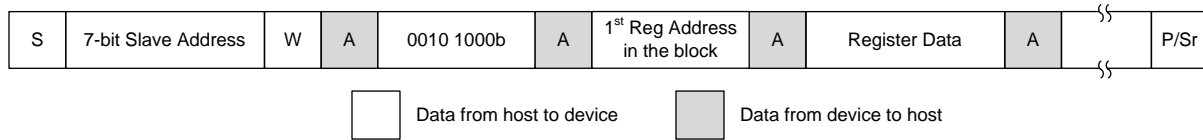
The I<sup>2</sup>C master must provide an I<sup>2</sup>C command with four frames, as shown in Figure 16, to set bits in a register without changing the other bits. The register address is the address of the register that the bits must set and the register data is the value representing the bits that must be set. Bits with a value of 1 in the register data are set and bits with a value of 0 in the register data are not changed. Table 9 lists the opcodes for different commands. To end this command, the master must provide a STOP or RESTART condition in the I<sup>2</sup>C frame.

### 8.5.2.3 Clear Bit

The I<sup>2</sup>C master must provide an I<sup>2</sup>C command with four frames, as shown in Figure 16, to clear bits in a register without changing the other bits. The register address is the address of the register that the bits must clear and the register data is the value representing the bits that must be cleared. Bits with a value of 1 in the register data are cleared and bits with a value of 0 in the register data are not changed. Table 9 lists the opcodes for different commands. To end this command, the master must provide a STOP or a RESTART condition in the I<sup>2</sup>C frame.

### 8.5.2.4 Writing a Continuous Block of Registers

The I<sup>2</sup>C master must provide an I<sup>2</sup>C command, as shown in Figure 17, to write a continuous block of registers. The register address is the address of the first register in the block that must be written. The I<sup>2</sup>C master must provide data for registers in subsequent I<sup>2</sup>C frames in an ascending order of register addresses. Writing data to addresses that do not exist in the register map of the device have no effect. Table 9 lists the opcodes for different commands. If the data provided by the I<sup>2</sup>C master exceeds the address space of the device, the device ignores the data beyond the address space. To end the register write command, the master must provide a STOP or a RESTART condition in the I<sup>2</sup>C frame.



NOTE: S = start, Sr = repeated start, and P = stop.

**Figure 17. Writing a Continuous Block of Registers**



## 8.6 ADS7138 Registers

Table 10 lists the ADS7138 registers. All register offset addresses not listed in Table 10 should be considered as reserved locations and the register contents should not be modified.

**Table 10. ADS7138 Registers**

| Address | Acronym          | Register Name                                           | Section |
|---------|------------------|---------------------------------------------------------|---------|
| 0x0     | SYSTEM_STATUS    | SYSTEM_STATUS Register (Address = 0x0) [reset = 0x81]   |         |
| 0x1     | GENERAL_CFG      | GENERAL_CFG Register (Address = 0x1) [reset = 0x0]      |         |
| 0x2     | DATA_CFG         | DATA_CFG Register (Address = 0x2) [reset = 0x0]         |         |
| 0x3     | OSR_CFG          | OSR_CFG Register (Address = 0x3) [reset = 0x0]          |         |
| 0x4     | OPMODE_CFG       | OPMODE_CFG Register (Address = 0x4) [reset = 0x0]       |         |
| 0x5     | PIN_CFG          | PIN_CFG Register (Address = 0x5) [reset = 0x0]          |         |
| 0x7     | GPIO_CFG         | GPIO_CFG Register (Address = 0x7) [reset = 0x0]         |         |
| 0x9     | GPO_DRIVE_CFG    | GPO_DRIVE_CFG Register (Address = 0x9) [reset = 0x0]    |         |
| 0xB     | GPO_OUTPUT_VALUE | GPO_OUTPUT_VALUE Register (Address = 0xB) [reset = 0x0] |         |
| 0xD     | GPI_VALUE        | GPI_VALUE Register (Address = 0xD) [reset = 0x0]        |         |
| 0x10    | SEQUENCE_CFG     | SEQUENCE_CFG Register (Address = 0x10) [reset = 0x0]    |         |
| 0x11    | CHANNEL_SEL      | CHANNEL_SEL Register (Address = 0x11) [reset = 0x0]     |         |
| 0x12    | AUTO_SEQ_CH_SEL  | AUTO_SEQ_CH_SEL Register (Address = 0x12) [reset = 0x0] |         |
| 0x14    | ALERT_CH_SEL     | ALERT_CH_SEL Register (Address = 0x14) [reset = 0x0]    |         |
| 0x16    | ALERT_MAP        | ALERT_MAP Register (Address = 0x16) [reset = 0x0]       |         |
| 0x17    | ALERT_PIN_CFG    | ALERT_PIN_CFG Register (Address = 0x17) [reset = 0x0]   |         |
| 0x18    | EVENT_FLAG       | EVENT_FLAG Register (Address = 0x18) [reset = 0x0]      |         |
| 0x1A    | EVENT_HIGH_FLAG  | EVENT_HIGH_FLAG Register (Address = 0x1A) [reset = 0x0] |         |
| 0x1C    | EVENT_LOW_FLAG   | EVENT_LOW_FLAG Register (Address = 0x1C) [reset = 0x0]  |         |
| 0x1E    | EVENT_RGN        | EVENT_RGN Register (Address = 0x1E) [reset = 0x0]       |         |
| 0x20    | HYSTERESIS_CH0   | HYSTERESIS_CH0 Register (Address = 0x20) [reset = 0xF0] |         |
| 0x21    | HIGH_TH_CH0      | HIGH_TH_CH0 Register (Address = 0x21) [reset = 0xFF]    |         |
| 0x22    | EVENT_COUNT_CH0  | EVENT_COUNT_CH0 Register (Address = 0x22) [reset = 0x0] |         |
| 0x23    | LOW_TH_CH0       | LOW_TH_CH0 Register (Address = 0x23) [reset = 0x0]      |         |
| 0x24    | HYSTERESIS_CH1   | HYSTERESIS_CH1 Register (Address = 0x24) [reset = 0xF0] |         |
| 0x25    | HIGH_TH_CH1      | HIGH_TH_CH1 Register (Address = 0x25) [reset = 0xFF]    |         |
| 0x26    | EVENT_COUNT_CH1  | EVENT_COUNT_CH1 Register (Address = 0x26) [reset = 0x0] |         |
| 0x27    | LOW_TH_CH1       | LOW_TH_CH1 Register (Address = 0x27) [reset = 0x0]      |         |
| 0x28    | HYSTERESIS_CH2   | HYSTERESIS_CH2 Register (Address = 0x28) [reset = 0xF0] |         |
| 0x29    | HIGH_TH_CH2      | HIGH_TH_CH2 Register (Address = 0x29) [reset = 0xFF]    |         |
| 0x2A    | EVENT_COUNT_CH2  | EVENT_COUNT_CH2 Register (Address = 0x2A) [reset = 0x0] |         |
| 0x2B    | LOW_TH_CH2       | LOW_TH_CH2 Register (Address = 0x2B) [reset = 0x0]      |         |
| 0x2C    | HYSTERESIS_CH3   | HYSTERESIS_CH3 Register (Address = 0x2C) [reset = 0xF0] |         |
| 0x2D    | HIGH_TH_CH3      | HIGH_TH_CH3 Register (Address = 0x2D) [reset = 0xFF]    |         |
| 0x2E    | EVENT_COUNT_CH3  | EVENT_COUNT_CH3 Register (Address = 0x2E) [reset = 0x0] |         |
| 0x2F    | LOW_TH_CH3       | LOW_TH_CH3 Register (Address = 0x2F) [reset = 0x0]      |         |
| 0x30    | HYSTERESIS_CH4   | HYSTERESIS_CH4 Register (Address = 0x30) [reset = 0xF0] |         |
| 0x31    | HIGH_TH_CH4      | HIGH_TH_CH4 Register (Address = 0x31) [reset = 0xFF]    |         |
| 0x32    | EVENT_COUNT_CH4  | EVENT_COUNT_CH4 Register (Address = 0x32) [reset = 0x0] |         |
| 0x33    | LOW_TH_CH4       | LOW_TH_CH4 Register (Address = 0x33) [reset = 0x0]      |         |
| 0x34    | HYSTERESIS_CH5   | HYSTERESIS_CH5 Register (Address = 0x34) [reset = 0xF0] |         |
| 0x35    | HIGH_TH_CH5      | HIGH_TH_CH5 Register (Address = 0x35) [reset = 0xFF]    |         |
| 0x36    | EVENT_COUNT_CH5  | EVENT_COUNT_CH5 Register (Address = 0x36) [reset = 0x0] |         |

**Table 10. ADS7138 Registers (continued)**

| Address | Acronym         | Register Name                                           | Section |
|---------|-----------------|---------------------------------------------------------|---------|
| 0x37    | LOW_TH_CH5      | LOW_TH_CH5 Register (Address = 0x37) [reset = 0x0]      |         |
| 0x38    | HYSTERESIS_CH6  | HYSTERESIS_CH6 Register (Address = 0x38) [reset = 0xF0] |         |
| 0x39    | HIGH_TH_CH6     | HIGH_TH_CH6 Register (Address = 0x39) [reset = 0xFF]    |         |
| 0x3A    | EVENT_COUNT_CH6 | EVENT_COUNT_CH6 Register (Address = 0x3A) [reset = 0x0] |         |
| 0x3B    | LOW_TH_CH6      | LOW_TH_CH6 Register (Address = 0x3B) [reset = 0x0]      |         |
| 0x3C    | HYSTERESIS_CH7  | HYSTERESIS_CH7 Register (Address = 0x3C) [reset = 0xF0] |         |
| 0x3D    | HIGH_TH_CH7     | HIGH_TH_CH7 Register (Address = 0x3D) [reset = 0xFF]    |         |
| 0x3E    | EVENT_COUNT_CH7 | EVENT_COUNT_CH7 Register (Address = 0x3E) [reset = 0x0] |         |
| 0x3F    | LOW_TH_CH7      | LOW_TH_CH7 Register (Address = 0x3F) [reset = 0x0]      |         |
| 0x60    | MAX_CH0_LSB     | MAX_CH0_LSB Register (Address = 0x60) [reset = 0x0]     |         |
| 0x61    | MAX_CH0_MSB     | MAX_CH0_MSB Register (Address = 0x61) [reset = 0x0]     |         |
| 0x62    | MAX_CH1_LSB     | MAX_CH1_LSB Register (Address = 0x62) [reset = 0x0]     |         |
| 0x63    | MAX_CH1_MSB     | MAX_CH1_MSB Register (Address = 0x63) [reset = 0x0]     |         |
| 0x64    | MAX_CH2_LSB     | MAX_CH2_LSB Register (Address = 0x64) [reset = 0x0]     |         |
| 0x65    | MAX_CH2_MSB     | MAX_CH2_MSB Register (Address = 0x65) [reset = 0x0]     |         |
| 0x66    | MAX_CH3_LSB     | MAX_CH3_LSB Register (Address = 0x66) [reset = 0x0]     |         |
| 0x67    | MAX_CH3_MSB     | MAX_CH3_MSB Register (Address = 0x67) [reset = 0x0]     |         |
| 0x68    | MAX_CH4_LSB     | MAX_CH4_LSB Register (Address = 0x68) [reset = 0x0]     |         |
| 0x69    | MAX_CH4_MSB     | MAX_CH4_MSB Register (Address = 0x69) [reset = 0x0]     |         |
| 0x6A    | MAX_CH5_LSB     | MAX_CH5_LSB Register (Address = 0x6A) [reset = 0x0]     |         |
| 0x6B    | MAX_CH5_MSB     | MAX_CH5_MSB Register (Address = 0x6B) [reset = 0x0]     |         |
| 0x6C    | MAX_CH6_LSB     | MAX_CH6_LSB Register (Address = 0x6C) [reset = 0x0]     |         |
| 0x6D    | MAX_CH6_MSB     | MAX_CH6_MSB Register (Address = 0x6D) [reset = 0x0]     |         |
| 0x6E    | MAX_CH7_LSB     | MAX_CH7_LSB Register (Address = 0x6E) [reset = 0x0]     |         |
| 0x6F    | MAX_CH7_MSB     | MAX_CH7_MSB Register (Address = 0x6F) [reset = 0x0]     |         |
| 0x80    | MIN_CH0_LSB     | MIN_CH0_LSB Register (Address = 0x80) [reset = 0xFF]    |         |
| 0x81    | MIN_CH0_MSB     | MIN_CH0_MSB Register (Address = 0x81) [reset = 0xFF]    |         |
| 0x82    | MIN_CH1_LSB     | MIN_CH1_LSB Register (Address = 0x82) [reset = 0xFF]    |         |
| 0x83    | MIN_CH1_MSB     | MIN_CH1_MSB Register (Address = 0x83) [reset = 0xFF]    |         |
| 0x84    | MIN_CH2_LSB     | MIN_CH2_LSB Register (Address = 0x84) [reset = 0xFF]    |         |
| 0x85    | MIN_CH2_MSB     | MIN_CH2_MSB Register (Address = 0x85) [reset = 0xFF]    |         |
| 0x86    | MIN_CH3_LSB     | MIN_CH3_LSB Register (Address = 0x86) [reset = 0xFF]    |         |
| 0x87    | MIN_CH3_MSB     | MIN_CH3_MSB Register (Address = 0x87) [reset = 0xFF]    |         |
| 0x88    | MIN_CH4_LSB     | MIN_CH4_LSB Register (Address = 0x88) [reset = 0xFF]    |         |
| 0x89    | MIN_CH4_MSB     | MIN_CH4_MSB Register (Address = 0x89) [reset = 0xFF]    |         |
| 0x8A    | MIN_CH5_LSB     | MIN_CH5_LSB Register (Address = 0x8A) [reset = 0xFF]    |         |
| 0x8B    | MIN_CH5_MSB     | MIN_CH5_MSB Register (Address = 0x8B) [reset = 0xFF]    |         |
| 0x8C    | MIN_CH6_LSB     | MIN_CH6_LSB Register (Address = 0x8C) [reset = 0xFF]    |         |
| 0x8D    | MIN_CH6_MSB     | MIN_CH6_MSB Register (Address = 0x8D) [reset = 0xFF]    |         |
| 0x8E    | MIN_CH7_LSB     | MIN_CH7_LSB Register (Address = 0x8E) [reset = 0xFF]    |         |
| 0x8F    | MIN_CH7_MSB     | MIN_CH7_MSB Register (Address = 0x8F) [reset = 0xFF]    |         |
| 0xA0    | RECENT_CH0_LSB  | RECENT_CH0_LSB Register (Address = 0xA0) [reset = 0x0]  |         |
| 0xA1    | RECENT_CH0_MSB  | RECENT_CH0_MSB Register (Address = 0xA1) [reset = 0x0]  |         |
| 0xA2    | RECENT_CH1_LSB  | RECENT_CH1_LSB Register (Address = 0xA2) [reset = 0x0]  |         |
| 0xA3    | RECENT_CH1_MSB  | RECENT_CH1_MSB Register (Address = 0xA3) [reset = 0x0]  |         |
| 0xA4    | RECENT_CH2_LSB  | RECENT_CH2_LSB Register (Address = 0xA4) [reset = 0x0]  |         |
| 0xA5    | RECENT_CH2_MSB  | RECENT_CH2_MSB Register (Address = 0xA5) [reset = 0x0]  |         |

**Table 10. ADS7138 Registers (continued)**

| Address | Acronym             | Register Name | Section                                                     |
|---------|---------------------|---------------|-------------------------------------------------------------|
| 0xA6    | RECENT_CH3_LSB      |               | RECENT_CH3_LSB Register (Address = 0xA6) [reset = 0x0]      |
| 0xA7    | RECENT_CH3_MSB      |               | RECENT_CH3_MSB Register (Address = 0xA7) [reset = 0x0]      |
| 0xA8    | RECENT_CH4_LSB      |               | RECENT_CH4_LSB Register (Address = 0xA8) [reset = 0x0]      |
| 0xA9    | RECENT_CH4_MSB      |               | RECENT_CH4_MSB Register (Address = 0xA9) [reset = 0x0]      |
| 0xAA    | RECENT_CH5_LSB      |               | RECENT_CH5_LSB Register (Address = 0xAA) [reset = 0x0]      |
| 0xAB    | RECENT_CH5_MSB      |               | RECENT_CH5_MSB Register (Address = 0xAB) [reset = 0x0]      |
| 0xAC    | RECENT_CH6_LSB      |               | RECENT_CH6_LSB Register (Address = 0xAC) [reset = 0x0]      |
| 0xAD    | RECENT_CH6_MSB      |               | RECENT_CH6_MSB Register (Address = 0xAD) [reset = 0x0]      |
| 0xAE    | RECENT_CH7_LSB      |               | RECENT_CH7_LSB Register (Address = 0xAE) [reset = 0x0]      |
| 0xAF    | RECENT_CH7_MSB      |               | RECENT_CH7_MSB Register (Address = 0xAF) [reset = 0x0]      |
| 0xC3    | GPO0_TRIG_EVENT_SEL |               | GPO0_TRIG_EVENT_SEL Register (Address = 0xC3) [reset = 0x2] |
| 0xC5    | GPO1_TRIG_EVENT_SEL |               | GPO1_TRIG_EVENT_SEL Register (Address = 0xC5) [reset = 0x2] |
| 0xC7    | GPO2_TRIG_EVENT_SEL |               | GPO2_TRIG_EVENT_SEL Register (Address = 0xC7) [reset = 0x2] |
| 0xC9    | GPO3_TRIG_EVENT_SEL |               | GPO3_TRIG_EVENT_SEL Register (Address = 0xC9) [reset = 0x2] |
| 0xCB    | GPO4_TRIG_EVENT_SEL |               | GPO4_TRIG_EVENT_SEL Register (Address = 0xCB) [reset = 0x2] |
| 0xCD    | GPO5_TRIG_EVENT_SEL |               | GPO5_TRIG_EVENT_SEL Register (Address = 0xCD) [reset = 0x2] |
| 0xCF    | GPO6_TRIG_EVENT_SEL |               | GPO6_TRIG_EVENT_SEL Register (Address = 0xCF) [reset = 0x2] |
| 0xD1    | GPO7_TRIG_EVENT_SEL |               | GPO7_TRIG_EVENT_SEL Register (Address = 0xD1) [reset = 0x2] |
| 0xE9    | GPO_TRIGGER_CFG     |               | GPO_TRIGGER_CFG Register (Address = 0xE9) [reset = 0x0]     |
| 0xEB    | GPO_VALUE_TRIG      |               | GPO_VALUE_TRIG Register (Address = 0xEB) [reset = 0x0]      |

Complex bit access types are encoded to fit into small table cells. [Table 11](#) shows the codes that are used for access types in this section.

**Table 11. ADS7138 Access Type Codes**

| Access Type                     | Code | Description                                                                                                                                                                                                                                                                          |
|---------------------------------|------|--------------------------------------------------------------------------------------------------------------------------------------------------------------------------------------------------------------------------------------------------------------------------------------|
| <b>Read Type</b>                |      |                                                                                                                                                                                                                                                                                      |
| R                               | R    | Read                                                                                                                                                                                                                                                                                 |
| <b>Write Type</b>               |      |                                                                                                                                                                                                                                                                                      |
| W                               | W    | Write                                                                                                                                                                                                                                                                                |
| <b>Reset or Default Value</b>   |      |                                                                                                                                                                                                                                                                                      |
| -n                              |      | Value after reset or the default value                                                                                                                                                                                                                                               |
| <b>Register Array Variables</b> |      |                                                                                                                                                                                                                                                                                      |
| i,j,k,l,m,n                     |      | When these variables are used in a register name, an offset, or an address, they refer to the value of a register array where the register is part of a group of repeating registers. The register groups form a hierarchical structure and the array is represented with a formula. |
| y                               |      | When this variable is used in a register name, an offset, or an address it refers to the value of a register array.                                                                                                                                                                  |

### 8.6.1 SYSTEM\_STATUS Register (Address = 0x0) [reset = 0x81]

SYSTEM\_STATUS is shown in [Figure 18](#) and described in [Table 12](#).

Return to the [Summary Table](#).

**Figure 18. SYSTEM\_STATUS Register**

| 7    | 6          | 5                      | 4        | 3        | 2                | 1          | 0      |
|------|------------|------------------------|----------|----------|------------------|------------|--------|
| RSVD | SEQ_STATUS | I <sup>2</sup> C_SPEED | RESERVED | OSR_DONE | CRC_ERR_FU<br>SE | CRC_ERR_IN | BOR    |
| R-1b | R-0b       | R-0b                   | R-0b     | R/W-0b   | R-0b             | R/W-0b     | R/W-1b |

**Table 12. SYSTEM\_STATUS Register Field Descriptions**

| Bit | Field                  | Type | Reset | Description                                                                                                                                                                                                                                                        |
|-----|------------------------|------|-------|--------------------------------------------------------------------------------------------------------------------------------------------------------------------------------------------------------------------------------------------------------------------|
| 7   | RSVD                   | R    | 1b    | Reads return 1b.                                                                                                                                                                                                                                                   |
| 6   | SEQ_STATUS             | R    | 0b    | Status of the channel sequencer.<br>0b = Sequence stopped<br>1b = Sequence in progress                                                                                                                                                                             |
| 5   | I <sup>2</sup> C_SPEED | R    | 0b    | I <sup>2</sup> C high-speed status.<br>0b = I <sup>2</sup> C bus is not in high-speed mode.<br>1b = I <sup>2</sup> C bus is in high-speed mode.                                                                                                                    |
| 4   | RESERVED               | R    | 0b    | Reserved. Reads return 0.                                                                                                                                                                                                                                          |
| 3   | OSR_DONE               | R/W  | 0b    | Averaging status. Clear this bit by writing 1b to this bit.<br>0b = Averaging in progress or not started; average result is not ready.<br>1b = Averaging complete; average result is ready.                                                                        |
| 2   | CRC_ERR_FUSE           | R    | 0b    | Device power-up configuration CRC check status. To re-evaluate this bit, software reset the device or power cycle AVDD.<br>0b = No problems detected in power-up configuration.<br>1b = Device configuration not loaded correctly.                                 |
| 1   | CRC_ERR_IN             | R/W  | 0b    | Status of CRC check on incoming data. Write 1b to clear this error flag.<br>0b = No CRC error.<br>1b = CRC error detected. All register writes, except to addresses 0x00 and 0x01, are blocked.                                                                    |
| 0   | BOR                    | R/W  | 1b    | Brown out reset indicator. This bit is set if brown out condition occurs or device is power cycled. Write 1b to this bit to clear the flag.<br>0b = No brown out from last time this bit was cleared.<br>1b = Brown out condition detected or device power cycled. |

**8.6.2 GENERAL\_CFG Register (Address = 0x1) [reset = 0x0]**

GENERAL\_CFG is shown in [Figure 19](#) and described in [Table 13](#).

Return to the [Summary Table](#).

**Figure 19. GENERAL\_CFG Register**

| 7        | 6      | 5        | 4      | 3     | 2      | 1      | 0    |
|----------|--------|----------|--------|-------|--------|--------|------|
| RESERVED | CRC_EN | STATS_EN | DWC_EN | CNVST | CH_RST | CAL    | RST  |
| R-0b     | R/W-0b | R/W-0b   | R/W-0b | W-0b  | R/W-0b | R/W-0b | W-0b |

**Table 13. GENERAL\_CFG Register Field Descriptions**

| Bit | Field    | Type | Reset | Description                                                                                                                                             |
|-----|----------|------|-------|---------------------------------------------------------------------------------------------------------------------------------------------------------|
| 7   | RESERVED | R    | 0b    | Reserved. Reads return 0.                                                                                                                               |
| 6   | CRC_EN   | R/W  | 0b    | Enable or disable the CRC on device interface.<br>0b = CRC module disabled.<br>1b = CRC appended to data output. CRC check is enabled on incoming data. |

ADVANCE INFORMATION

**Table 13. GENERAL\_CFG Register Field Descriptions (continued)**

| Bit | Field    | Type | Reset | Description                                                                                                                                                                                                                                                                                                                                                                                   |
|-----|----------|------|-------|-----------------------------------------------------------------------------------------------------------------------------------------------------------------------------------------------------------------------------------------------------------------------------------------------------------------------------------------------------------------------------------------------|
| 5   | STATS_EN | R/W  | 0b    | Enable or disable the statistics module to update minimum, maximum, and latest output code registers.<br>0b = Statistics registers are not updated.<br>1b = Clear statistics registers and continue updating with new conversion results.                                                                                                                                                     |
| 4   | DWC_EN   | R/W  | 0b    | Enable or disable the digital window comparator.<br>0b = Reset or disable the digital window comparator.<br>1b = Enable the digital window comparator.                                                                                                                                                                                                                                        |
| 3   | CNVST    | W    | 0b    | Control start conversion on selected analog input. Readback of this bit returns 0b.<br>0b = Normal operation; conversions start on the 9 <sup>th</sup> falling edge of I <sup>2</sup> C frame. Device stretches SCL until end of conversion or completion of averaging.<br>1b = Initiate start of conversion. Device does not stretch SCL until end of conversion or completion of averaging. |
| 2   | CH_RST   | R/W  | 0b    | Force all channels to be analog inputs.<br>0b = Normal operation.<br>1b = All channels are configured as analog inputs irrespective of configuration in other registers.                                                                                                                                                                                                                      |
| 1   | CAL      | R/W  | 0b    | Calibrate ADC offset.<br>0b = Normal operation.<br>1b = ADC offset is calibrated. After calibration is complete, this bit is set to 0b.                                                                                                                                                                                                                                                       |
| 0   | RST      | W    | 0b    | Software reset all registers to default values.<br>0b = Normal operation.<br>1b = Device is reset. After reset is complete, this bit is set to 0b and BOR bit is set to 1b.                                                                                                                                                                                                                   |

**8.6.3 DATA\_CFG Register (Address = 0x2) [reset = 0x0]**

DATA\_CFG is shown in Figure 20 and described in Table 14.

Return to the [Summary Table](#).

**Figure 20. DATA\_CFG Register**

| 7       | 6        | 5                  | 4 | 3        | 2 | 1 | 0 |
|---------|----------|--------------------|---|----------|---|---|---|
| FIX_PAT | RESERVED | APPEND_STATUS[1:0] |   | RESERVED |   |   |   |
| R/W-0b  | R-0b     | R/W-0b             |   | R-0b     |   |   |   |

**Table 14. DATA\_CFG Register Field Descriptions**

| Bit | Field              | Type | Reset | Description                                                                                                                                                                                                                                          |
|-----|--------------------|------|-------|------------------------------------------------------------------------------------------------------------------------------------------------------------------------------------------------------------------------------------------------------|
| 7   | FIX_PAT            | R/W  | 0b    | Device will output fixed data bits, which can be helpful for debugging communication with the device.<br>0b = Normal operation.<br>1b = Device outputs fixed code 0xA5A repeatedly when reading ADC data.                                            |
| 6   | RESERVED           | R    | 0b    | Reserved. Reads return 0.                                                                                                                                                                                                                            |
| 5-4 | APPEND_STATUS[1:0] | R/W  | 0b    | Append 4-bit channel ID or status flags to output data.<br>0b = Channel ID and status flags are not appended to ADC data.<br>1b = 4-bit channel ID is appended to ADC data.<br>10b = 4-bit status flags are appended to ADC data.<br>11b = Reserved. |
| 3-0 | RESERVED           | R    | 0b    |                                                                                                                                                                                                                                                      |

### 8.6.4 OSR\_CFG Register (Address = 0x3) [reset = 0x0]

OSR\_CFG is shown in Figure 21 and described in Table 15.

Return to the [Summary Table](#).

Figure 21. OSR\_CFG Register

|          |   |   |   |   |          |   |   |
|----------|---|---|---|---|----------|---|---|
| 7        | 6 | 5 | 4 | 3 | 2        | 1 | 0 |
| RESERVED |   |   |   |   | OSR[2:0] |   |   |
| R-0b     |   |   |   |   | R/W-0b   |   |   |

Table 15. OSR\_CFG Register Field Descriptions

| Bit | Field    | Type | Reset | Description                                                                                                                                                                                                                 |
|-----|----------|------|-------|-----------------------------------------------------------------------------------------------------------------------------------------------------------------------------------------------------------------------------|
| 7-3 | RESERVED | R    | 0b    | Reserved. Reads return 0.                                                                                                                                                                                                   |
| 2-0 | OSR[2:0] | R/W  | 0b    | Selects the oversampling ratio for ADC conversion result.<br>0b = No averaging<br>1b = 2 samples<br>10b = 4 samples<br>11b = 8 samples<br>100b = 16 samples<br>101b = 32 samples<br>110b = 64 samples<br>111b = 128 samples |

### 8.6.5 OPMODE\_CFG Register (Address = 0x4) [reset = 0x0]

OPMODE\_CFG is shown in Figure 22 and described in Table 16.

Return to the [Summary Table](#).

Figure 22. OPMODE\_CFG Register

|                 |                |   |         |              |   |   |   |
|-----------------|----------------|---|---------|--------------|---|---|---|
| 7               | 6              | 5 | 4       | 3            | 2 | 1 | 0 |
| CONV_ON_ER<br>R | CONV_MODE[1:0] |   | OSC_SEL | CLK_DIV[3:0] |   |   |   |
| R/W-0b          | R/W-0b         |   | R/W-0b  | R/W-0b       |   |   |   |

Table 16. OPMODE\_CFG Register Field Descriptions

| Bit | Field          | Type | Reset | Description                                                                                                                                                                                                                                                                                                                                                                                                                                                                                      |
|-----|----------------|------|-------|--------------------------------------------------------------------------------------------------------------------------------------------------------------------------------------------------------------------------------------------------------------------------------------------------------------------------------------------------------------------------------------------------------------------------------------------------------------------------------------------------|
| 7   | CONV_ON_ERR    | R/W  | 0b    | Control continuation of autonomous modes if CRC error is detected on communication interface.<br>0b = If CRC error is detected, device continues channel sequencing and pin configuration is retained. See the CRC_ERR_IN bit for more details.<br>1b = If CRC error is detected, device changes all channels to analog inputs and channel sequencing will be paused until CRC_ERR_IN = 1b. After clearing CRC_ERR_IN flag, device resumes channel sequencing and pin configuration is restored. |
| 6-5 | CONV_MODE[1:0] | R/W  | 0b    | These bits set the mode of conversion of the ADC.<br>0b = Manual mode; conversions are initiated by host.<br>1b = Autonomous mode; conversions are initiated by internal state machine.                                                                                                                                                                                                                                                                                                          |
| 4   | OSC_SEL        | R/W  | 0b    | Selects the oscillator for internal timing generation.<br>0b = High-speed oscillator.<br>1b = Low-power oscillator.                                                                                                                                                                                                                                                                                                                                                                              |
| 3-0 | CLK_DIV[3:0]   | R/W  | 0b    | Sampling speed control in autonomous monitoring mode (CONV_MODE = 01b). See the section on oscillator and timing control for details.                                                                                                                                                                                                                                                                                                                                                            |

### 8.6.6 PIN\_CFG Register (Address = 0x5) [reset = 0x0]

PIN\_CFG is shown in [Figure 23](#) and described in [Table 17](#).

Return to the [Summary Table](#).

**Figure 23. PIN\_CFG Register**

|              |   |   |   |   |   |   |   |
|--------------|---|---|---|---|---|---|---|
| 7            | 6 | 5 | 4 | 3 | 2 | 1 | 0 |
| PIN_CFG[7:0] |   |   |   |   |   |   |   |
| R/W-0b       |   |   |   |   |   |   |   |

**Table 17. PIN\_CFG Register Field Descriptions**

| Bit | Field        | Type | Reset | Description                                                                                                                                              |
|-----|--------------|------|-------|----------------------------------------------------------------------------------------------------------------------------------------------------------|
| 7-0 | PIN_CFG[7:0] | R/W  | 0b    | Configure device channels AIN/GPIO[7:0] as analog inputs or GPIOs.<br>0b = Channel is configured as analog input.<br>1b = Channel is configured as GPIO. |

### 8.6.7 GPIO\_CFG Register (Address = 0x7) [reset = 0x0]

GPIO\_CFG is shown in [Figure 24](#) and described in [Table 18](#).

Return to the [Summary Table](#).

**Figure 24. GPIO\_CFG Register**

|               |   |   |   |   |   |   |   |
|---------------|---|---|---|---|---|---|---|
| 7             | 6 | 5 | 4 | 3 | 2 | 1 | 0 |
| GPIO_CFG[7:0] |   |   |   |   |   |   |   |
| R/W-0b        |   |   |   |   |   |   |   |

**Table 18. GPIO\_CFG Register Field Descriptions**

| Bit | Field         | Type | Reset | Description                                                                                                                                                 |
|-----|---------------|------|-------|-------------------------------------------------------------------------------------------------------------------------------------------------------------|
| 7-0 | GPIO_CFG[7:0] | R/W  | 0b    | Configure GPIO[7:0] as either digital inputs or digital outputs.<br>0b = GPIO is configured as digital input.<br>1b = GPIO is configured as digital output. |

### 8.6.8 GPO\_DRIVE\_CFG Register (Address = 0x9) [reset = 0x0]

GPO\_DRIVE\_CFG is shown in [Figure 25](#) and described in [Table 19](#).

Return to the [Summary Table](#).

**Figure 25. GPO\_DRIVE\_CFG Register**

|                    |   |   |   |   |   |   |   |
|--------------------|---|---|---|---|---|---|---|
| 7                  | 6 | 5 | 4 | 3 | 2 | 1 | 0 |
| GPO_DRIVE_CFG[7:0] |   |   |   |   |   |   |   |
| R/W-0b             |   |   |   |   |   |   |   |

**Table 19. GPO\_DRIVE\_CFG Register Field Descriptions**

| Bit | Field              | Type | Reset | Description                                                                                                                                                                                                |
|-----|--------------------|------|-------|------------------------------------------------------------------------------------------------------------------------------------------------------------------------------------------------------------|
| 7-0 | GPO_DRIVE_CFG[7:0] | R/W  | 0b    | Configure digital outputs GPO[7:0] as either open-drain or push-pull outputs.<br>0b = Digital output is open-drain; connect external pullup resistor.<br>1b = Push-pull driver is used for digital output. |

### 8.6.9 GPO\_OUTPUT\_VALUE Register (Address = 0xB) [reset = 0x0]

GPO\_OUTPUT\_VALUE is shown in [Figure 26](#) and described in [Table 20](#).

Return to the [Summary Table](#).

**Figure 26. GPO\_OUTPUT\_VALUE Register**

|                       |   |   |   |   |   |   |   |
|-----------------------|---|---|---|---|---|---|---|
| 7                     | 6 | 5 | 4 | 3 | 2 | 1 | 0 |
| GPO_OUTPUT_VALUE[7:0] |   |   |   |   |   |   |   |
| R/W-0b                |   |   |   |   |   |   |   |

**Table 20. GPO\_OUTPUT\_VALUE Register Field Descriptions**

| Bit | Field                 | Type | Reset | Description                                                                                                                      |
|-----|-----------------------|------|-------|----------------------------------------------------------------------------------------------------------------------------------|
| 7-0 | GPO_OUTPUT_VALUE[7:0] | R/W  | 0b    | Logic level to be set on digital outputs GPO[7:0].<br>0b = Digital output set to logic 0.<br>1b = Digital output set to logic 1. |

### 8.6.10 GPI\_VALUE Register (Address = 0xD) [reset = 0x0]

GPI\_VALUE is shown in [Figure 27](#) and described in [Table 21](#).

Return to the [Summary Table](#).

**Figure 27. GPI\_VALUE Register**

|                |   |   |   |   |   |   |   |
|----------------|---|---|---|---|---|---|---|
| 7              | 6 | 5 | 4 | 3 | 2 | 1 | 0 |
| GPI_VALUE[7:0] |   |   |   |   |   |   |   |
| R-0b           |   |   |   |   |   |   |   |

**Table 21. GPI\_VALUE Register Field Descriptions**

| Bit | Field          | Type | Reset | Description                                                                                    |
|-----|----------------|------|-------|------------------------------------------------------------------------------------------------|
| 7-0 | GPI_VALUE[7:0] | R    | 0b    | Readback the logic level on GPIO[7:0].<br>0b = GPIO is at logic 0.<br>1b = GPIO is at logic 1. |

### 8.6.11 SEQUENCE\_CFG Register (Address = 0x10) [reset = 0x0]

SEQUENCE\_CFG is shown in [Figure 28](#) and described in [Table 22](#).

Return to the [Summary Table](#).

**Figure 28. SEQUENCE\_CFG Register**

|          |   |   |           |          |   |               |   |
|----------|---|---|-----------|----------|---|---------------|---|
| 7        | 6 | 5 | 4         | 3        | 2 | 1             | 0 |
| RESERVED |   |   | SEQ_START | RESERVED |   | SEQ_MODE[1:0] |   |
| R-0b     |   |   | R/W-0b    | R-0b     |   | R/W-0b        |   |

**Table 22. SEQUENCE\_CFG Register Field Descriptions**

| Bit | Field     | Type | Reset | Description                                                                                                                                                                                                                  |
|-----|-----------|------|-------|------------------------------------------------------------------------------------------------------------------------------------------------------------------------------------------------------------------------------|
| 7-5 | RESERVED  | R    | 0b    | Reserved. Reads return 0.                                                                                                                                                                                                    |
| 4   | SEQ_START | R/W  | 0b    | Control for start of channel sequence when using auto sequence mode (SEQ_MODE = 01b).<br>0b = Stop channel sequencing.<br>1b = Start channel sequencing in ascending order for channels enabled in AUTO_SEQ_CH_SEL register. |
| 3-2 | RESERVED  | R    | 0b    | Reserved. Reads return 0.                                                                                                                                                                                                    |



**Table 22. SEQUENCE\_CFG Register Field Descriptions (continued)**

| Bit | Field         | Type | Reset | Description                                                                                                                                                                                                                                   |
|-----|---------------|------|-------|-----------------------------------------------------------------------------------------------------------------------------------------------------------------------------------------------------------------------------------------------|
| 1-0 | SEQ_MODE[1:0] | R/W  | 0b    | Selects the mode of scanning of analog input channels.<br>0b = Manual sequence mode; channel selected by MANUAL_CHID field.<br>1b = Auto sequence mode; channel selected by internal channel sequencer.<br>10b = Reserved.<br>11b = Reserved. |

**8.6.12 CHANNEL\_SEL Register (Address = 0x11) [reset = 0x0]**

CHANNEL\_SEL is shown in Figure 29 and described in Table 23.

Return to the [Summary Table](#).

**Figure 29. CHANNEL\_SEL Register**

|          |   |   |   |                  |   |   |   |
|----------|---|---|---|------------------|---|---|---|
| 7        | 6 | 5 | 4 | 3                | 2 | 1 | 0 |
| RESERVED |   |   |   | MANUAL_CHID[3:0] |   |   |   |
| R-0b     |   |   |   | R/W-0b           |   |   |   |

**Table 23. CHANNEL\_SEL Register Field Descriptions**

| Bit | Field            | Type | Reset | Description                                                                                                                                                                                                                                                                                                                                                        |
|-----|------------------|------|-------|--------------------------------------------------------------------------------------------------------------------------------------------------------------------------------------------------------------------------------------------------------------------------------------------------------------------------------------------------------------------|
| 7-4 | RESERVED         | R    | 0b    | Reserved. Reads return 0.                                                                                                                                                                                                                                                                                                                                          |
| 3-0 | MANUAL_CHID[3:0] | R/W  | 0b    | In manual mode (SEQ_MODE = 00b), this field contains the 4-bit channel ID of the analog input channel for next ADC conversion. For valid ADC data, the selected channel must not be configured as GPIO in PIN_CFG register.<br>0b = AIN0<br>1b = AIN1<br>10b = AIN2<br>11b = AIN3<br>100b = AIN4<br>101b = AIN5<br>110b = AIN6<br>111b = AIN7<br>1000b = Reserved. |

**8.6.13 AUTO\_SEQ\_CH\_SEL Register (Address = 0x12) [reset = 0x0]**

AUTO\_SEQ\_CH\_SEL is shown in Figure 30 and described in Table 24.

Return to the [Summary Table](#).

**Figure 30. AUTO\_SEQ\_CH\_SEL Register**

|                      |   |   |   |   |   |   |   |
|----------------------|---|---|---|---|---|---|---|
| 7                    | 6 | 5 | 4 | 3 | 2 | 1 | 0 |
| AUTO_SEQ_CH_SEL[7:0] |   |   |   |   |   |   |   |
| R/W-0b               |   |   |   |   |   |   |   |

**Table 24. AUTO\_SEQ\_CH\_SEL Register Field Descriptions**

| Bit | Field                | Type | Reset | Description                                                                                                                                                                                        |
|-----|----------------------|------|-------|----------------------------------------------------------------------------------------------------------------------------------------------------------------------------------------------------|
| 7-0 | AUTO_SEQ_CH_SEL[7:0] | R/W  | 0b    | Select analog input channels AIN[7:0] in for auto sequencing mode.<br>0b = Analog input channel is not enabled in scanning sequence.<br>1b = Analog input channel is enabled in scanning sequence. |

**8.6.14 ALERT\_CH\_SEL Register (Address = 0x14) [reset = 0x0]**

ALERT\_CH\_SEL is shown in [Figure 31](#) and described in [Table 25](#).

Return to the [Summary Table](#).

**Figure 31. ALERT\_CH\_SEL Register**

|                   |   |   |   |   |   |   |   |
|-------------------|---|---|---|---|---|---|---|
| 7                 | 6 | 5 | 4 | 3 | 2 | 1 | 0 |
| ALERT_CH_SEL[7:0] |   |   |   |   |   |   |   |
| R/W-0b            |   |   |   |   |   |   |   |

**Table 25. ALERT\_CH\_SEL Register Field Descriptions**

| Bit | Field             | Type | Reset | Description                                                                                                                                                                                      |
|-----|-------------------|------|-------|--------------------------------------------------------------------------------------------------------------------------------------------------------------------------------------------------|
| 7-0 | ALERT_CH_SEL[7:0] | R/W  | 0b    | Select channels for which the alert flags can assert the ALERT pin.<br>0b = Alert flags for this channel do not assert the ALERT pin.<br>1b = Alert flags for this channel assert the ALERT pin. |

**8.6.15 ALERT\_MAP Register (Address = 0x16) [reset = 0x0]**

ALERT\_MAP is shown in [Figure 32](#) and described in [Table 26](#).

Return to the [Summary Table](#).

**Figure 32. ALERT\_MAP Register**

|          |   |   |   |   |   |   |             |
|----------|---|---|---|---|---|---|-------------|
| 7        | 6 | 5 | 4 | 3 | 2 | 1 | 0           |
| RESERVED |   |   |   |   |   |   | ALERT_CRCIN |
| R-0b     |   |   |   |   |   |   | R/W-0b      |

**Table 26. ALERT\_MAP Register Field Descriptions**

| Bit | Field       | Type | Reset | Description                                                                                                                                                                                                                                     |
|-----|-------------|------|-------|-------------------------------------------------------------------------------------------------------------------------------------------------------------------------------------------------------------------------------------------------|
| 7-1 | RESERVED    | R    | 0b    | Reserved. Reads return 0.                                                                                                                                                                                                                       |
| 0   | ALERT_CRCIN | R/W  | 0b    | Enable or disable the alert notification for CRC error on input data (CRCERR_IN = 1b).<br>0b = ALERT pin is not asserted when CRCERR_IN = 1b.<br>1b = ALERT pin is asserted when CRCERR_IN = 1b. Clear CRCERR_IN for deasserting the ALERT pin. |

**8.6.16 ALERT\_PIN\_CFG Register (Address = 0x17) [reset = 0x0]**

ALERT\_PIN\_CFG is shown in [Figure 33](#) and described in [Table 27](#).

Return to the [Summary Table](#).

**Figure 33. ALERT\_PIN\_CFG Register**

|          |   |   |   |   |             |                  |   |
|----------|---|---|---|---|-------------|------------------|---|
| 7        | 6 | 5 | 4 | 3 | 2           | 1                | 0 |
| RESERVED |   |   |   |   | ALERT_DRIVE | ALERT_LOGIC[1:0] |   |
| R-0b     |   |   |   |   | R/W-0b      | R/W-0b           |   |

**Table 27. ALERT\_PIN\_CFG Register Field Descriptions**

| Bit | Field       | Type | Reset | Description                                                                                                                     |
|-----|-------------|------|-------|---------------------------------------------------------------------------------------------------------------------------------|
| 7-3 | RESERVED    | R    | 0b    | Reserved. Reads return 0.                                                                                                       |
| 2   | ALERT_DRIVE | R/W  | 0b    | Configure output drive of the ALERT pin.<br>0b = Open-drain output. Connect external pullup resistor.<br>1b = Push-pull output. |

**Table 27. ALERT\_PIN\_CFG Register Field Descriptions (continued)**

| Bit | Field            | Type | Reset | Description                                                                                                                   |
|-----|------------------|------|-------|-------------------------------------------------------------------------------------------------------------------------------|
| 1-0 | ALERT_LOGIC[1:0] | R/W  | 0b    | Configure how ALERT pin is asserted.<br>0b = Pulsed high (one logic high pulse one time per alert flag).<br>1b = Active high. |

**8.6.17 EVENT\_FLAG Register (Address = 0x18) [reset = 0x0]**

EVENT\_FLAG is shown in [Figure 34](#) and described in [Table 28](#).

Return to the [Summary Table](#).

**Figure 34. EVENT\_FLAG Register**

|                 |   |   |   |   |   |   |   |
|-----------------|---|---|---|---|---|---|---|
| 7               | 6 | 5 | 4 | 3 | 2 | 1 | 0 |
| EVENT_FLAG[7:0] |   |   |   |   |   |   |   |
| R-0b            |   |   |   |   |   |   |   |

**Table 28. EVENT\_FLAG Register Field Descriptions**

| Bit | Field           | Type | Reset | Description                                                                                                                                                                                                        |
|-----|-----------------|------|-------|--------------------------------------------------------------------------------------------------------------------------------------------------------------------------------------------------------------------|
| 7-0 | EVENT_FLAG[7:0] | R    | 0b    | Alert flags indicating digital window comparator status for CH[7:0]. Write 0b to individual bits of high/low register to clear alert flag.<br>0b = Event condition not detected.<br>1b = Event condition detected. |

**8.6.18 EVENT\_HIGH\_FLAG Register (Address = 0x1A) [reset = 0x0]**

EVENT\_HIGH\_FLAG is shown in [Figure 35](#) and described in [Table 29](#).

Return to the [Summary Table](#).

**Figure 35. EVENT\_HIGH\_FLAG Register**

|                      |   |   |   |   |   |   |   |
|----------------------|---|---|---|---|---|---|---|
| 7                    | 6 | 5 | 4 | 3 | 2 | 1 | 0 |
| EVENT_HIGH_FLAG[7:0] |   |   |   |   |   |   |   |
| R/W-0b               |   |   |   |   |   |   |   |

**Table 29. EVENT\_HIGH\_FLAG Register Field Descriptions**

| Bit | Field                | Type | Reset | Description                                                                                                                                                                                                                                                             |
|-----|----------------------|------|-------|-------------------------------------------------------------------------------------------------------------------------------------------------------------------------------------------------------------------------------------------------------------------------|
| 7-0 | EVENT_HIGH_FLAG[7:0] | R/W  | 0b    | Alert flag corresponding to high threshold of analog input or logic 1 on digital input on CH[7:0]. Write 1b to clear this flag.<br>0b = No alert condition detected.<br>1b = Either high threshold was exceeded (analog input) or logic 1 was detected (digital input). |

**8.6.19 EVENT\_LOW\_FLAG Register (Address = 0x1C) [reset = 0x0]**

EVENT\_LOW\_FLAG is shown in [Figure 36](#) and described in [Table 30](#).

Return to the [Summary Table](#).

**Figure 36. EVENT\_LOW\_FLAG Register**

|                     |   |   |   |   |   |   |   |
|---------------------|---|---|---|---|---|---|---|
| 7                   | 6 | 5 | 4 | 3 | 2 | 1 | 0 |
| EVENT_LOW_FLAG[7:0] |   |   |   |   |   |   |   |
| R/W-0b              |   |   |   |   |   |   |   |

**Table 30. EVENT\_LOW\_FLAG Register Field Descriptions**

| Bit | Field               | Type | Reset | Description                                                                                                                                                                                                                                                           |
|-----|---------------------|------|-------|-----------------------------------------------------------------------------------------------------------------------------------------------------------------------------------------------------------------------------------------------------------------------|
| 7-0 | EVENT_LOW_FLAG[7:0] | R/W  | 0b    | Alert flag corresponding to low threshold of analog input or logic 0 on digital input on CH[7:0]. Write 1b to clear this flag.<br>0b = No Event condition detected.<br>1b = Either low threshold was exceeded (analog input) or logic 0 was detected (digital input). |

**8.6.20 EVENT\_RGN Register (Address = 0x1E) [reset = 0x0]**

EVENT\_RGN is shown in [Figure 37](#) and described in [Table 31](#).

Return to the [Summary Table](#).

**Figure 37. EVENT\_RGN Register**

|                |   |   |   |   |   |   |   |
|----------------|---|---|---|---|---|---|---|
| 7              | 6 | 5 | 4 | 3 | 2 | 1 | 0 |
| EVENT_RGN[7:0] |   |   |   |   |   |   |   |
| R/W-0b         |   |   |   |   |   |   |   |

**Table 31. EVENT\_RGN Register Field Descriptions**

| Bit | Field          | Type | Reset | Description                                                                                                                                                                                                                                                                                                                                                             |
|-----|----------------|------|-------|-------------------------------------------------------------------------------------------------------------------------------------------------------------------------------------------------------------------------------------------------------------------------------------------------------------------------------------------------------------------------|
| 7-0 | EVENT_RGN[7:0] | R/W  | 0b    | Choice of region used in monitoring analog and digital inputs CH[7:0].<br>0b = Alert flag is set if: (conversion result < low threshold) or (conversion result > high threshold). For digital inputs, logic 1 sets the alert flag.<br>1b = Alert flag is set if: (low threshold > conversion result < high threshold). For digital inputs, logic 0 sets the alert flag. |

**8.6.21 HYSTERESIS\_CH0 Register (Address = 0x20) [reset = 0xF0]**

HYSTERESIS\_CH0 is shown in [Figure 38](#) and described in [Table 32](#).

Return to the [Summary Table](#).

**Figure 38. HYSTERESIS\_CH0 Register**

|                             |   |   |   |                     |   |   |   |
|-----------------------------|---|---|---|---------------------|---|---|---|
| 7                           | 6 | 5 | 4 | 3                   | 2 | 1 | 0 |
| HIGH_THRESHOLD_CH0_LSB[3:0] |   |   |   | HYSTERESIS_CH0[3:0] |   |   |   |
| R/W-1111b                   |   |   |   | R/W-0b              |   |   |   |

**Table 32. HYSTERESIS\_CH0 Register Field Descriptions**

| Bit | Field                       | Type | Reset | Description                                                                                                                                                                            |
|-----|-----------------------------|------|-------|----------------------------------------------------------------------------------------------------------------------------------------------------------------------------------------|
| 7-4 | HIGH_THRESHOLD_CH0_LSB[3:0] | R/W  | 1111b | Lower 4-bits of high threshold for analog input. These bits are compared with bits 3:0 of ADC conversion result.                                                                       |
| 3-0 | HYSTERESIS_CH0[3:0]         | R/W  | 0b    | 4-bit hysteresis for high and low thresholds. This 4-bit hysteresis is left shifted 3 times and applied on the lower 7-bits of the threshold. Total hysteresis = 7-bits [4-bits, 000b] |

**8.6.22 HIGH\_TH\_CH0 Register (Address = 0x21) [reset = 0xFF]**

HIGH\_TH\_CH0 is shown in [Figure 39](#) and described in [Table 33](#).

Return to the [Summary Table](#).

**Figure 39. HIGH\_TH\_CH0 Register**

|                             |   |   |   |   |   |   |   |
|-----------------------------|---|---|---|---|---|---|---|
| 7                           | 6 | 5 | 4 | 3 | 2 | 1 | 0 |
| HIGH_THRESHOLD_CH0_MSB[7:0] |   |   |   |   |   |   |   |
| R/W-11111111b               |   |   |   |   |   |   |   |

**Table 33. HIGH\_TH\_CH0 Register Field Descriptions**

| Bit | Field                       | Type | Reset     | Description                                                                                                    |
|-----|-----------------------------|------|-----------|----------------------------------------------------------------------------------------------------------------|
| 7-0 | HIGH_THRESHOLD_CH0_MSB[7:0] | R/W  | 11111111b | MSB aligned high threshold for analog input. These bits are compared with top 8 bits of ADC conversion result. |

**8.6.23 EVENT\_COUNT\_CH0 Register (Address = 0x22) [reset = 0x0]**

EVENT\_COUNT\_CH0 is shown in [Figure 40](#) and described in [Table 34](#).

Return to the [Summary Table](#).

**Figure 40. EVENT\_COUNT\_CH0 Register**

|                            |   |   |   |                      |   |   |   |
|----------------------------|---|---|---|----------------------|---|---|---|
| 7                          | 6 | 5 | 4 | 3                    | 2 | 1 | 0 |
| LOW_THRESHOLD_CH0_LSB[3:0] |   |   |   | EVENT_COUNT_CH0[3:0] |   |   |   |
| R/W-0b                     |   |   |   | R/W-0b               |   |   |   |

**Table 34. EVENT\_COUNT\_CH0 Register Field Descriptions**

| Bit | Field                      | Type | Reset | Description                                                                                                     |
|-----|----------------------------|------|-------|-----------------------------------------------------------------------------------------------------------------|
| 7-4 | LOW_THRESHOLD_CH0_LSB[3:0] | R/W  | 0b    | Lower 4-bits of low threshold for analog input. These bits are compared with bits 3:0 of ADC conversion result. |
| 3-0 | EVENT_COUNT_CH0[3:0]       | R/W  | 0b    | Configuration for checking 'n+1' consecutive samples above threshold before setting event flag.                 |

**8.6.24 LOW\_TH\_CH0 Register (Address = 0x23) [reset = 0x0]**

LOW\_TH\_CH0 is shown in [Figure 41](#) and described in [Table 35](#).

Return to the [Summary Table](#).

**Figure 41. LOW\_TH\_CH0 Register**

|                            |   |   |   |   |   |   |   |
|----------------------------|---|---|---|---|---|---|---|
| 7                          | 6 | 5 | 4 | 3 | 2 | 1 | 0 |
| LOW_THRESHOLD_CH0_MSB[7:0] |   |   |   |   |   |   |   |
| R/W-0b                     |   |   |   |   |   |   |   |

**Table 35. LOW\_TH\_CH0 Register Field Descriptions**

| Bit | Field                      | Type | Reset | Description                                                                                                    |
|-----|----------------------------|------|-------|----------------------------------------------------------------------------------------------------------------|
| 7-0 | LOW_THRESHOLD_CH0_MSB[7:0] | R/W  | 0b    | MSB aligned high threshold for analog input. These bits are compared with top 8 bits of ADC conversion result. |

**8.6.25 HYSTERESIS\_CH1 Register (Address = 0x24) [reset = 0xF0]**

HYSTERESIS\_CH1 is shown in [Figure 42](#) and described in [Table 36](#).

Return to the [Summary Table](#).

**Figure 42. HYSTERESIS\_CH1 Register**

|                             |   |   |   |                     |   |   |   |
|-----------------------------|---|---|---|---------------------|---|---|---|
| 7                           | 6 | 5 | 4 | 3                   | 2 | 1 | 0 |
| HIGH_THRESHOLD_CH1_LSB[3:0] |   |   |   | HYSTERESIS_CH1[3:0] |   |   |   |
| R/W-1111b                   |   |   |   | R/W-0b              |   |   |   |

**Table 36. HYSTERESIS\_CH1 Register Field Descriptions**

| Bit | Field                       | Type | Reset | Description                                                                                                                                                                            |
|-----|-----------------------------|------|-------|----------------------------------------------------------------------------------------------------------------------------------------------------------------------------------------|
| 7-4 | HIGH_THRESHOLD_CH1_LSB[3:0] | R/W  | 1111b | Lower 4-bits of high threshold for analog input. These bits are compared with bits 3:0 of ADC conversion result.                                                                       |
| 3-0 | HYSTERESIS_CH1[3:0]         | R/W  | 0b    | 4-bit hysteresis for high and low thresholds. This 4-bit hysteresis is left shifted 3 times and applied on the lower 7-bits of the threshold. Total hysteresis = 7-bits [4-bits, 000b] |

**8.6.26 HIGH\_TH\_CH1 Register (Address = 0x25) [reset = 0xFF]**

HIGH\_TH\_CH1 is shown in [Figure 43](#) and described in [Table 37](#).

Return to the [Summary Table](#).

**Figure 43. HIGH\_TH\_CH1 Register**

|                             |   |   |   |   |   |   |   |
|-----------------------------|---|---|---|---|---|---|---|
| 7                           | 6 | 5 | 4 | 3 | 2 | 1 | 0 |
| HIGH_THRESHOLD_CH1_MSB[7:0] |   |   |   |   |   |   |   |
| R/W-1111111b                |   |   |   |   |   |   |   |

**Table 37. HIGH\_TH\_CH1 Register Field Descriptions**

| Bit | Field                       | Type | Reset    | Description                                                                                                    |
|-----|-----------------------------|------|----------|----------------------------------------------------------------------------------------------------------------|
| 7-0 | HIGH_THRESHOLD_CH1_MSB[7:0] | R/W  | 1111111b | MSB aligned high threshold for analog input. These bits are compared with top 8 bits of ADC conversion result. |

**8.6.27 EVENT\_COUNT\_CH1 Register (Address = 0x26) [reset = 0x0]**

EVENT\_COUNT\_CH1 is shown in [Figure 44](#) and described in [Table 38](#).

Return to the [Summary Table](#).

**Figure 44. EVENT\_COUNT\_CH1 Register**

|                            |   |   |   |                      |   |   |   |
|----------------------------|---|---|---|----------------------|---|---|---|
| 7                          | 6 | 5 | 4 | 3                    | 2 | 1 | 0 |
| LOW_THRESHOLD_CH1_LSB[3:0] |   |   |   | EVENT_COUNT_CH1[3:0] |   |   |   |
| R/W-0b                     |   |   |   | R/W-0b               |   |   |   |

**Table 38. EVENT\_COUNT\_CH1 Register Field Descriptions**

| Bit | Field                      | Type | Reset | Description                                                                                                     |
|-----|----------------------------|------|-------|-----------------------------------------------------------------------------------------------------------------|
| 7-4 | LOW_THRESHOLD_CH1_LSB[3:0] | R/W  | 0b    | Lower 4-bits of low threshold for analog input. These bits are compared with bits 3:0 of ADC conversion result. |
| 3-0 | EVENT_COUNT_CH1[3:0]       | R/W  | 0b    | Configuration for checking 'n+1' consecutive samples above threshold before setting event flag.                 |

**8.6.28 LOW\_TH\_CH1 Register (Address = 0x27) [reset = 0x0]**

LOW\_TH\_CH1 is shown in [Figure 45](#) and described in [Table 39](#).

Return to the [Summary Table](#).

**Figure 45. LOW\_TH\_CH1 Register**

|                            |   |   |   |   |   |   |   |
|----------------------------|---|---|---|---|---|---|---|
| 7                          | 6 | 5 | 4 | 3 | 2 | 1 | 0 |
| LOW_THRESHOLD_CH1_MSB[7:0] |   |   |   |   |   |   |   |
| R/W-0b                     |   |   |   |   |   |   |   |

**Table 39. LOW\_TH\_CH1 Register Field Descriptions**

| Bit | Field                      | Type | Reset | Description                                                                                                    |
|-----|----------------------------|------|-------|----------------------------------------------------------------------------------------------------------------|
| 7-0 | LOW_THRESHOLD_CH1_MSB[7:0] | R/W  | 0b    | MSB aligned high threshold for analog input. These bits are compared with top 8 bits of ADC conversion result. |

**8.6.29 HYSTERESIS\_CH2 Register (Address = 0x28) [reset = 0xF0]**

HYSTERESIS\_CH2 is shown in [Figure 46](#) and described in [Table 40](#).

Return to the [Summary Table](#).

**Figure 46. HYSTERESIS\_CH2 Register**

| 7                           | 6 | 5 | 4 | 3                   | 2 | 1 | 0 |
|-----------------------------|---|---|---|---------------------|---|---|---|
| HIGH_THRESHOLD_CH2_LSB[3:0] |   |   |   | HYSTERESIS_CH2[3:0] |   |   |   |
| R/W-1111b                   |   |   |   | R/W-0b              |   |   |   |

**Table 40. HYSTERESIS\_CH2 Register Field Descriptions**

| Bit | Field                       | Type | Reset | Description                                                                                                                                                                            |
|-----|-----------------------------|------|-------|----------------------------------------------------------------------------------------------------------------------------------------------------------------------------------------|
| 7-4 | HIGH_THRESHOLD_CH2_LSB[3:0] | R/W  | 1111b | Lower 4-bits of high threshold for analog input. These bits are compared with bits 3:0 of ADC conversion result.                                                                       |
| 3-0 | HYSTERESIS_CH2[3:0]         | R/W  | 0b    | 4-bit hysteresis for high and low thresholds. This 4-bit hysteresis is left shifted 3 times and applied on the lower 7-bits of the threshold. Total hysteresis = 7-bits [4-bits, 000b] |

**8.6.30 HIGH\_TH\_CH2 Register (Address = 0x29) [reset = 0xFF]**

HIGH\_TH\_CH2 is shown in [Figure 47](#) and described in [Table 41](#).

Return to the [Summary Table](#).

**Figure 47. HIGH\_TH\_CH2 Register**

| 7                           | 6 | 5 | 4 | 3 | 2 | 1 | 0 |
|-----------------------------|---|---|---|---|---|---|---|
| HIGH_THRESHOLD_CH2_MSB[7:0] |   |   |   |   |   |   |   |
| R/W-11111111b               |   |   |   |   |   |   |   |

**Table 41. HIGH\_TH\_CH2 Register Field Descriptions**

| Bit | Field                       | Type | Reset     | Description                                                                                                    |
|-----|-----------------------------|------|-----------|----------------------------------------------------------------------------------------------------------------|
| 7-0 | HIGH_THRESHOLD_CH2_MSB[7:0] | R/W  | 11111111b | MSB aligned high threshold for analog input. These bits are compared with top 8 bits of ADC conversion result. |

**8.6.31 EVENT\_COUNT\_CH2 Register (Address = 0x2A) [reset = 0x0]**

EVENT\_COUNT\_CH2 is shown in [Figure 48](#) and described in [Table 42](#).

Return to the [Summary Table](#).

**Figure 48. EVENT\_COUNT\_CH2 Register**

| 7                          | 6 | 5 | 4 | 3                    | 2 | 1 | 0 |
|----------------------------|---|---|---|----------------------|---|---|---|
| LOW_THRESHOLD_CH2_LSB[3:0] |   |   |   | EVENT_COUNT_CH2[3:0] |   |   |   |
| R/W-0b                     |   |   |   | R/W-0b               |   |   |   |

**Table 42. EVENT\_COUNT\_CH2 Register Field Descriptions**

| Bit | Field                      | Type | Reset | Description                                                                                                     |
|-----|----------------------------|------|-------|-----------------------------------------------------------------------------------------------------------------|
| 7-4 | LOW_THRESHOLD_CH2_LSB[3:0] | R/W  | 0b    | Lower 4-bits of low threshold for analog input. These bits are compared with bits 3:0 of ADC conversion result. |

**Table 42. EVENT\_COUNT\_CH2 Register Field Descriptions (continued)**

| Bit | Field                | Type | Reset | Description                                                                                     |
|-----|----------------------|------|-------|-------------------------------------------------------------------------------------------------|
| 3-0 | EVENT_COUNT_CH2[3:0] | R/W  | 0b    | Configuration for checking 'n+1' consecutive samples above threshold before setting event flag. |

**8.6.32 LOW\_TH\_CH2 Register (Address = 0x2B) [reset = 0x0]**

LOW\_TH\_CH2 is shown in [Figure 49](#) and described in [Table 43](#).

Return to the [Summary Table](#).

**Figure 49. LOW\_TH\_CH2 Register**

|                            |   |   |   |   |   |   |   |
|----------------------------|---|---|---|---|---|---|---|
| 7                          | 6 | 5 | 4 | 3 | 2 | 1 | 0 |
| LOW_THRESHOLD_CH2_MSB[7:0] |   |   |   |   |   |   |   |
| R/W-0b                     |   |   |   |   |   |   |   |

**Table 43. LOW\_TH\_CH2 Register Field Descriptions**

| Bit | Field                      | Type | Reset | Description                                                                                                    |
|-----|----------------------------|------|-------|----------------------------------------------------------------------------------------------------------------|
| 7-0 | LOW_THRESHOLD_CH2_MSB[7:0] | R/W  | 0b    | MSB aligned high threshold for analog input. These bits are compared with top 8 bits of ADC conversion result. |

**8.6.33 HYSTERESIS\_CH3 Register (Address = 0x2C) [reset = 0xF0]**

HYSTERESIS\_CH3 is shown in [Figure 50](#) and described in [Table 44](#).

Return to the [Summary Table](#).

**Figure 50. HYSTERESIS\_CH3 Register**

|                             |   |   |   |                     |   |   |   |
|-----------------------------|---|---|---|---------------------|---|---|---|
| 7                           | 6 | 5 | 4 | 3                   | 2 | 1 | 0 |
| HIGH_THRESHOLD_CH3_LSB[3:0] |   |   |   | HYSTERESIS_CH3[3:0] |   |   |   |
| R/W-1111b                   |   |   |   | R/W-0b              |   |   |   |

**Table 44. HYSTERESIS\_CH3 Register Field Descriptions**

| Bit | Field                       | Type | Reset | Description                                                                                                                                                                            |
|-----|-----------------------------|------|-------|----------------------------------------------------------------------------------------------------------------------------------------------------------------------------------------|
| 7-4 | HIGH_THRESHOLD_CH3_LSB[3:0] | R/W  | 1111b | Lower 4-bits of high threshold for analog input. These bits are compared with bits 3:0 of ADC conversion result.                                                                       |
| 3-0 | HYSTERESIS_CH3[3:0]         | R/W  | 0b    | 4-bit hysteresis for high and low thresholds. This 4-bit hysteresis is left shifted 3 times and applied on the lower 7-bits of the threshold. Total hysteresis = 7-bits [4-bits, 000b] |

**8.6.34 HIGH\_TH\_CH3 Register (Address = 0x2D) [reset = 0xFF]**

HIGH\_TH\_CH3 is shown in [Figure 51](#) and described in [Table 45](#).

Return to the [Summary Table](#).

**Figure 51. HIGH\_TH\_CH3 Register**

|                             |   |   |   |   |   |   |   |
|-----------------------------|---|---|---|---|---|---|---|
| 7                           | 6 | 5 | 4 | 3 | 2 | 1 | 0 |
| HIGH_THRESHOLD_CH3_MSB[7:0] |   |   |   |   |   |   |   |
| R/W-11111111b               |   |   |   |   |   |   |   |

**Table 45. HIGH\_TH\_CH3 Register Field Descriptions**

| Bit | Field                       | Type | Reset     | Description                                                                                                    |
|-----|-----------------------------|------|-----------|----------------------------------------------------------------------------------------------------------------|
| 7-0 | HIGH_THRESHOLD_CH3_MSB[7:0] | R/W  | 11111111b | MSB aligned high threshold for analog input. These bits are compared with top 8 bits of ADC conversion result. |



### 8.6.35 EVENT\_COUNT\_CH3 Register (Address = 0x2E) [reset = 0x0]

EVENT\_COUNT\_CH3 is shown in [Figure 52](#) and described in [Table 46](#).

Return to the [Summary Table](#).

**Figure 52. EVENT\_COUNT\_CH3 Register**

|                            |   |   |   |                      |   |   |   |
|----------------------------|---|---|---|----------------------|---|---|---|
| 7                          | 6 | 5 | 4 | 3                    | 2 | 1 | 0 |
| LOW_THRESHOLD_CH3_LSB[3:0] |   |   |   | EVENT_COUNT_CH3[3:0] |   |   |   |
| R/W-0b                     |   |   |   | R/W-0b               |   |   |   |

**Table 46. EVENT\_COUNT\_CH3 Register Field Descriptions**

| Bit | Field                      | Type | Reset | Description                                                                                                     |
|-----|----------------------------|------|-------|-----------------------------------------------------------------------------------------------------------------|
| 7-4 | LOW_THRESHOLD_CH3_LSB[3:0] | R/W  | 0b    | Lower 4-bits of low threshold for analog input. These bits are compared with bits 3:0 of ADC conversion result. |
| 3-0 | EVENT_COUNT_CH3[3:0]       | R/W  | 0b    | Configuration for checking 'n+1' consecutive samples above threshold before setting event flag.                 |

### 8.6.36 LOW\_TH\_CH3 Register (Address = 0x2F) [reset = 0x0]

LOW\_TH\_CH3 is shown in [Figure 53](#) and described in [Table 47](#).

Return to the [Summary Table](#).

**Figure 53. LOW\_TH\_CH3 Register**

|                            |   |   |   |   |   |   |   |
|----------------------------|---|---|---|---|---|---|---|
| 7                          | 6 | 5 | 4 | 3 | 2 | 1 | 0 |
| LOW_THRESHOLD_CH3_MSB[7:0] |   |   |   |   |   |   |   |
| R/W-0b                     |   |   |   |   |   |   |   |

**Table 47. LOW\_TH\_CH3 Register Field Descriptions**

| Bit | Field                      | Type | Reset | Description                                                                                                    |
|-----|----------------------------|------|-------|----------------------------------------------------------------------------------------------------------------|
| 7-0 | LOW_THRESHOLD_CH3_MSB[7:0] | R/W  | 0b    | MSB aligned high threshold for analog input. These bits are compared with top 8 bits of ADC conversion result. |

### 8.6.37 HYSTERESIS\_CH4 Register (Address = 0x30) [reset = 0xF0]

HYSTERESIS\_CH4 is shown in [Figure 54](#) and described in [Table 48](#).

Return to the [Summary Table](#).

**Figure 54. HYSTERESIS\_CH4 Register**

|                             |   |   |   |                     |   |   |   |
|-----------------------------|---|---|---|---------------------|---|---|---|
| 7                           | 6 | 5 | 4 | 3                   | 2 | 1 | 0 |
| HIGH_THRESHOLD_CH4_LSB[3:0] |   |   |   | HYSTERESIS_CH4[3:0] |   |   |   |
| R/W-1111b                   |   |   |   | R/W-0b              |   |   |   |

**Table 48. HYSTERESIS\_CH4 Register Field Descriptions**

| Bit | Field                       | Type | Reset | Description                                                                                                                                                                            |
|-----|-----------------------------|------|-------|----------------------------------------------------------------------------------------------------------------------------------------------------------------------------------------|
| 7-4 | HIGH_THRESHOLD_CH4_LSB[3:0] | R/W  | 1111b | Lower 4-bits of high threshold for analog input. These bits are compared with bits 3:0 of ADC conversion result.                                                                       |
| 3-0 | HYSTERESIS_CH4[3:0]         | R/W  | 0b    | 4-bit hysteresis for high and low thresholds. This 4-bit hysteresis is left shifted 3 times and applied on the lower 7-bits of the threshold. Total hysteresis = 7-bits [4-bits, 000b] |

### 8.6.38 HIGH\_TH\_CH4 Register (Address = 0x31) [reset = 0xFF]

HIGH\_TH\_CH4 is shown in [Figure 55](#) and described in [Table 49](#).

Return to the [Summary Table](#).

**Figure 55. HIGH\_TH\_CH4 Register**

|                             |   |   |   |   |   |   |   |
|-----------------------------|---|---|---|---|---|---|---|
| 7                           | 6 | 5 | 4 | 3 | 2 | 1 | 0 |
| HIGH_THRESHOLD_CH4_MSB[7:0] |   |   |   |   |   |   |   |
| R/W-11111111b               |   |   |   |   |   |   |   |

**Table 49. HIGH\_TH\_CH4 Register Field Descriptions**

| Bit | Field                       | Type | Reset     | Description                                                                                                    |
|-----|-----------------------------|------|-----------|----------------------------------------------------------------------------------------------------------------|
| 7-0 | HIGH_THRESHOLD_CH4_MSB[7:0] | R/W  | 11111111b | MSB aligned high threshold for analog input. These bits are compared with top 8 bits of ADC conversion result. |

**8.6.39 EVENT\_COUNT\_CH4 Register (Address = 0x32) [reset = 0x0]**

EVENT\_COUNT\_CH4 is shown in [Figure 56](#) and described in [Table 50](#).

Return to the [Summary Table](#).

**Figure 56. EVENT\_COUNT\_CH4 Register**

|                            |   |   |   |                      |   |   |   |
|----------------------------|---|---|---|----------------------|---|---|---|
| 7                          | 6 | 5 | 4 | 3                    | 2 | 1 | 0 |
| LOW_THRESHOLD_CH4_LSB[3:0] |   |   |   | EVENT_COUNT_CH4[3:0] |   |   |   |
| R/W-0b                     |   |   |   | R/W-0b               |   |   |   |

**Table 50. EVENT\_COUNT\_CH4 Register Field Descriptions**

| Bit | Field                      | Type | Reset | Description                                                                                                     |
|-----|----------------------------|------|-------|-----------------------------------------------------------------------------------------------------------------|
| 7-4 | LOW_THRESHOLD_CH4_LSB[3:0] | R/W  | 0b    | Lower 4-bits of low threshold for analog input. These bits are compared with bits 3:0 of ADC conversion result. |
| 3-0 | EVENT_COUNT_CH4[3:0]       | R/W  | 0b    | Configuration for checking 'n+1' consecutive samples above threshold before setting event flag.                 |

**8.6.40 LOW\_TH\_CH4 Register (Address = 0x33) [reset = 0x0]**

LOW\_TH\_CH4 is shown in [Figure 57](#) and described in [Table 51](#).

Return to the [Summary Table](#).

**Figure 57. LOW\_TH\_CH4 Register**

|                            |   |   |   |   |   |   |   |
|----------------------------|---|---|---|---|---|---|---|
| 7                          | 6 | 5 | 4 | 3 | 2 | 1 | 0 |
| LOW_THRESHOLD_CH4_MSB[7:0] |   |   |   |   |   |   |   |
| R/W-0b                     |   |   |   |   |   |   |   |

**Table 51. LOW\_TH\_CH4 Register Field Descriptions**

| Bit | Field                      | Type | Reset | Description                                                                                                    |
|-----|----------------------------|------|-------|----------------------------------------------------------------------------------------------------------------|
| 7-0 | LOW_THRESHOLD_CH4_MSB[7:0] | R/W  | 0b    | MSB aligned high threshold for analog input. These bits are compared with top 8 bits of ADC conversion result. |

**8.6.41 HYSTERESIS\_CH5 Register (Address = 0x34) [reset = 0xF0]**

HYSTERESIS\_CH5 is shown in [Figure 58](#) and described in [Table 52](#).

Return to the [Summary Table](#).

**Figure 58. HYSTERESIS\_CH5 Register**

|                             |   |   |   |                     |   |   |   |
|-----------------------------|---|---|---|---------------------|---|---|---|
| 7                           | 6 | 5 | 4 | 3                   | 2 | 1 | 0 |
| HIGH_THRESHOLD_CH5_LSB[3:0] |   |   |   | HYSTERESIS_CH5[3:0] |   |   |   |
| R/W-1111b                   |   |   |   | R/W-0b              |   |   |   |

**Table 52. HYSTERESIS\_CH5 Register Field Descriptions**

| Bit | Field                       | Type | Reset | Description                                                                                                                                                                            |
|-----|-----------------------------|------|-------|----------------------------------------------------------------------------------------------------------------------------------------------------------------------------------------|
| 7-4 | HIGH_THRESHOLD_CH5_LSB[3:0] | R/W  | 1111b | Lower 4-bits of high threshold for analog input. These bits are compared with bits 3:0 of ADC conversion result.                                                                       |
| 3-0 | HYSTERESIS_CH5[3:0]         | R/W  | 0b    | 4-bit hysteresis for high and low thresholds. This 4-bit hysteresis is left shifted 3 times and applied on the lower 7-bits of the threshold. Total hysteresis = 7-bits [4-bits, 000b] |

**8.6.42 HIGH\_TH\_CH5 Register (Address = 0x35) [reset = 0xFF]**

HIGH\_TH\_CH5 is shown in [Figure 59](#) and described in [Table 53](#).

Return to the [Summary Table](#).

**Figure 59. HIGH\_TH\_CH5 Register**

|                             |   |   |   |   |   |   |   |
|-----------------------------|---|---|---|---|---|---|---|
| 7                           | 6 | 5 | 4 | 3 | 2 | 1 | 0 |
| HIGH_THRESHOLD_CH5_MSB[7:0] |   |   |   |   |   |   |   |
| R/W-11111111b               |   |   |   |   |   |   |   |

**Table 53. HIGH\_TH\_CH5 Register Field Descriptions**

| Bit | Field                       | Type | Reset     | Description                                                                                                    |
|-----|-----------------------------|------|-----------|----------------------------------------------------------------------------------------------------------------|
| 7-0 | HIGH_THRESHOLD_CH5_MSB[7:0] | R/W  | 11111111b | MSB aligned high threshold for analog input. These bits are compared with top 8 bits of ADC conversion result. |

**8.6.43 EVENT\_COUNT\_CH5 Register (Address = 0x36) [reset = 0x0]**

EVENT\_COUNT\_CH5 is shown in [Figure 60](#) and described in [Table 54](#).

Return to the [Summary Table](#).

**Figure 60. EVENT\_COUNT\_CH5 Register**

|                            |   |   |   |                      |   |   |   |
|----------------------------|---|---|---|----------------------|---|---|---|
| 7                          | 6 | 5 | 4 | 3                    | 2 | 1 | 0 |
| LOW_THRESHOLD_CH5_LSB[3:0] |   |   |   | EVENT_COUNT_CH5[3:0] |   |   |   |
| R/W-0b                     |   |   |   | R/W-0b               |   |   |   |

**Table 54. EVENT\_COUNT\_CH5 Register Field Descriptions**

| Bit | Field                      | Type | Reset | Description                                                                                                     |
|-----|----------------------------|------|-------|-----------------------------------------------------------------------------------------------------------------|
| 7-4 | LOW_THRESHOLD_CH5_LSB[3:0] | R/W  | 0b    | Lower 4-bits of low threshold for analog input. These bits are compared with bits 3:0 of ADC conversion result. |
| 3-0 | EVENT_COUNT_CH5[3:0]       | R/W  | 0b    | Configuration for checking 'n+1' consecutive samples above threshold before setting event flag.                 |

**8.6.44 LOW\_TH\_CH5 Register (Address = 0x37) [reset = 0x0]**

LOW\_TH\_CH5 is shown in [Figure 61](#) and described in [Table 55](#).

Return to the [Summary Table](#).

**Figure 61. LOW\_TH\_CH5 Register**

|                            |   |   |   |   |   |   |   |
|----------------------------|---|---|---|---|---|---|---|
| 7                          | 6 | 5 | 4 | 3 | 2 | 1 | 0 |
| LOW_THRESHOLD_CH5_MSB[7:0] |   |   |   |   |   |   |   |
| R/W-0b                     |   |   |   |   |   |   |   |

**Table 55. LOW\_TH\_CH5 Register Field Descriptions**

| Bit | Field                      | Type | Reset | Description                                                                                                    |
|-----|----------------------------|------|-------|----------------------------------------------------------------------------------------------------------------|
| 7-0 | LOW_THRESHOLD_CH5_MSB[7:0] | R/W  | 0b    | MSB aligned high threshold for analog input. These bits are compared with top 8 bits of ADC conversion result. |

**8.6.45 HYSTERESIS\_CH6 Register (Address = 0x38) [reset = 0xF0]**

HYSTERESIS\_CH6 is shown in [Figure 62](#) and described in [Table 56](#).

Return to the [Summary Table](#).

**Figure 62. HYSTERESIS\_CH6 Register**

|                             |   |   |   |                     |   |   |   |
|-----------------------------|---|---|---|---------------------|---|---|---|
| 7                           | 6 | 5 | 4 | 3                   | 2 | 1 | 0 |
| HIGH_THRESHOLD_CH6_LSB[3:0] |   |   |   | HYSTERESIS_CH6[3:0] |   |   |   |
| R/W-1111b                   |   |   |   | R/W-0b              |   |   |   |

**Table 56. HYSTERESIS\_CH6 Register Field Descriptions**

| Bit | Field                       | Type | Reset | Description                                                                                                                                                                            |
|-----|-----------------------------|------|-------|----------------------------------------------------------------------------------------------------------------------------------------------------------------------------------------|
| 7-4 | HIGH_THRESHOLD_CH6_LSB[3:0] | R/W  | 1111b | Lower 4-bits of high threshold for analog input. These bits are compared with bits 3:0 of ADC conversion result.                                                                       |
| 3-0 | HYSTERESIS_CH6[3:0]         | R/W  | 0b    | 4-bit hysteresis for high and low thresholds. This 4-bit hysteresis is left shifted 3 times and applied on the lower 7-bits of the threshold. Total hysteresis = 7-bits [4-bits, 000b] |

**8.6.46 HIGH\_TH\_CH6 Register (Address = 0x39) [reset = 0xFF]**

HIGH\_TH\_CH6 is shown in [Figure 63](#) and described in [Table 57](#).

Return to the [Summary Table](#).

**Figure 63. HIGH\_TH\_CH6 Register**

|                             |   |   |   |   |   |   |   |
|-----------------------------|---|---|---|---|---|---|---|
| 7                           | 6 | 5 | 4 | 3 | 2 | 1 | 0 |
| HIGH_THRESHOLD_CH6_MSB[7:0] |   |   |   |   |   |   |   |
| R/W-11111111b               |   |   |   |   |   |   |   |

**Table 57. HIGH\_TH\_CH6 Register Field Descriptions**

| Bit | Field                       | Type | Reset     | Description                                                                                                    |
|-----|-----------------------------|------|-----------|----------------------------------------------------------------------------------------------------------------|
| 7-0 | HIGH_THRESHOLD_CH6_MSB[7:0] | R/W  | 11111111b | MSB aligned high threshold for analog input. These bits are compared with top 8 bits of ADC conversion result. |

**8.6.47 EVENT\_COUNT\_CH6 Register (Address = 0x3A) [reset = 0x0]**

EVENT\_COUNT\_CH6 is shown in [Figure 64](#) and described in [Table 58](#).

Return to the [Summary Table](#).

**Figure 64. EVENT\_COUNT\_CH6 Register**

|                            |   |   |   |                      |   |   |   |
|----------------------------|---|---|---|----------------------|---|---|---|
| 7                          | 6 | 5 | 4 | 3                    | 2 | 1 | 0 |
| LOW_THRESHOLD_CH6_LSB[3:0] |   |   |   | EVENT_COUNT_CH6[3:0] |   |   |   |
| R/W-0b                     |   |   |   | R/W-0b               |   |   |   |

**Table 58. EVENT\_COUNT\_CH6 Register Field Descriptions**

| Bit | Field                      | Type | Reset | Description                                                                                                     |
|-----|----------------------------|------|-------|-----------------------------------------------------------------------------------------------------------------|
| 7-4 | LOW_THRESHOLD_CH6_LSB[3:0] | R/W  | 0b    | Lower 4-bits of low threshold for analog input. These bits are compared with bits 3:0 of ADC conversion result. |

**Table 58. EVENT\_COUNT\_CH6 Register Field Descriptions (continued)**

| Bit | Field                | Type | Reset | Description                                                                                     |
|-----|----------------------|------|-------|-------------------------------------------------------------------------------------------------|
| 3-0 | EVENT_COUNT_CH6[3:0] | R/W  | 0b    | Configuration for checking 'n+1' consecutive samples above threshold before setting event flag. |

**8.6.48 LOW\_TH\_CH6 Register (Address = 0x3B) [reset = 0x0]**

LOW\_TH\_CH6 is shown in [Figure 65](#) and described in [Table 59](#).

Return to the [Summary Table](#).

**Figure 65. LOW\_TH\_CH6 Register**

|                            |   |   |   |   |   |   |   |
|----------------------------|---|---|---|---|---|---|---|
| 7                          | 6 | 5 | 4 | 3 | 2 | 1 | 0 |
| LOW_THRESHOLD_CH6_MSB[7:0] |   |   |   |   |   |   |   |
| R/W-0b                     |   |   |   |   |   |   |   |

**Table 59. LOW\_TH\_CH6 Register Field Descriptions**

| Bit | Field                      | Type | Reset | Description                                                                                                    |
|-----|----------------------------|------|-------|----------------------------------------------------------------------------------------------------------------|
| 7-0 | LOW_THRESHOLD_CH6_MSB[7:0] | R/W  | 0b    | MSB aligned high threshold for analog input. These bits are compared with top 8 bits of ADC conversion result. |

**8.6.49 HYSTERESIS\_CH7 Register (Address = 0x3C) [reset = 0xF0]**

HYSTERESIS\_CH7 is shown in [Figure 66](#) and described in [Table 60](#).

Return to the [Summary Table](#).

**Figure 66. HYSTERESIS\_CH7 Register**

|                             |   |   |   |                     |   |   |   |
|-----------------------------|---|---|---|---------------------|---|---|---|
| 7                           | 6 | 5 | 4 | 3                   | 2 | 1 | 0 |
| HIGH_THRESHOLD_CH7_LSB[3:0] |   |   |   | HYSTERESIS_CH7[3:0] |   |   |   |
| R/W-1111b                   |   |   |   | R/W-0b              |   |   |   |

**Table 60. HYSTERESIS\_CH7 Register Field Descriptions**

| Bit | Field                       | Type | Reset | Description                                                                                                                                                                            |
|-----|-----------------------------|------|-------|----------------------------------------------------------------------------------------------------------------------------------------------------------------------------------------|
| 7-4 | HIGH_THRESHOLD_CH7_LSB[3:0] | R/W  | 1111b | Lower 4-bits of high threshold for analog input. These bits are compared with bits 3:0 of ADC conversion result.                                                                       |
| 3-0 | HYSTERESIS_CH7[3:0]         | R/W  | 0b    | 4-bit hysteresis for high and low thresholds. This 4-bit hysteresis is left shifted 3 times and applied on the lower 7-bits of the threshold. Total hysteresis = 7-bits [4-bits, 000b] |

**8.6.50 HIGH\_TH\_CH7 Register (Address = 0x3D) [reset = 0xFF]**

HIGH\_TH\_CH7 is shown in [Figure 67](#) and described in [Table 61](#).

Return to the [Summary Table](#).

**Figure 67. HIGH\_TH\_CH7 Register**

|                             |   |   |   |   |   |   |   |
|-----------------------------|---|---|---|---|---|---|---|
| 7                           | 6 | 5 | 4 | 3 | 2 | 1 | 0 |
| HIGH_THRESHOLD_CH7_MSB[7:0] |   |   |   |   |   |   |   |
| R/W-11111111b               |   |   |   |   |   |   |   |

**Table 61. HIGH\_TH\_CH7 Register Field Descriptions**

| Bit | Field                       | Type | Reset     | Description                                                                                                    |
|-----|-----------------------------|------|-----------|----------------------------------------------------------------------------------------------------------------|
| 7-0 | HIGH_THRESHOLD_CH7_MSB[7:0] | R/W  | 11111111b | MSB aligned high threshold for analog input. These bits are compared with top 8 bits of ADC conversion result. |

**8.6.51 EVENT\_COUNT\_CH7 Register (Address = 0x3E) [reset = 0x0]**

 EVENT\_COUNT\_CH7 is shown in [Figure 68](#) and described in [Table 62](#).

 Return to the [Summary Table](#).

**Figure 68. EVENT\_COUNT\_CH7 Register**

|                            |   |   |   |                      |   |   |   |
|----------------------------|---|---|---|----------------------|---|---|---|
| 7                          | 6 | 5 | 4 | 3                    | 2 | 1 | 0 |
| LOW_THRESHOLD_CH7_LSB[3:0] |   |   |   | EVENT_COUNT_CH7[3:0] |   |   |   |
| R/W-0b                     |   |   |   | R/W-0b               |   |   |   |

**Table 62. EVENT\_COUNT\_CH7 Register Field Descriptions**

| Bit | Field                      | Type | Reset | Description                                                                                                     |
|-----|----------------------------|------|-------|-----------------------------------------------------------------------------------------------------------------|
| 7-4 | LOW_THRESHOLD_CH7_LSB[3:0] | R/W  | 0b    | Lower 4-bits of low threshold for analog input. These bits are compared with bits 3:0 of ADC conversion result. |
| 3-0 | EVENT_COUNT_CH7[3:0]       | R/W  | 0b    | Configuration for checking 'n+1' consecutive samples above threshold before setting event flag.                 |

**8.6.52 LOW\_TH\_CH7 Register (Address = 0x3F) [reset = 0x0]**

 LOW\_TH\_CH7 is shown in [Figure 69](#) and described in [Table 63](#).

 Return to the [Summary Table](#).

**Figure 69. LOW\_TH\_CH7 Register**

|                            |   |   |   |   |   |   |   |
|----------------------------|---|---|---|---|---|---|---|
| 7                          | 6 | 5 | 4 | 3 | 2 | 1 | 0 |
| LOW_THRESHOLD_CH7_MSB[7:0] |   |   |   |   |   |   |   |
| R/W-0b                     |   |   |   |   |   |   |   |

**Table 63. LOW\_TH\_CH7 Register Field Descriptions**

| Bit | Field                      | Type | Reset | Description                                                                                                    |
|-----|----------------------------|------|-------|----------------------------------------------------------------------------------------------------------------|
| 7-0 | LOW_THRESHOLD_CH7_MSB[7:0] | R/W  | 0b    | MSB aligned high threshold for analog input. These bits are compared with top 8 bits of ADC conversion result. |

**8.6.53 MAX\_CH0\_LSB Register (Address = 0x60) [reset = 0x0]**

 MAX\_CH0\_LSB is shown in [Figure 70](#) and described in [Table 64](#).

 Return to the [Summary Table](#).

**Figure 70. MAX\_CH0\_LSB Register**

|                        |   |   |   |   |   |   |   |
|------------------------|---|---|---|---|---|---|---|
| 7                      | 6 | 5 | 4 | 3 | 2 | 1 | 0 |
| MAX_VALUE_CH0_LSB[7:0] |   |   |   |   |   |   |   |
| R-0b                   |   |   |   |   |   |   |   |

**Table 64. MAX\_CH0\_LSB Register Field Descriptions**

| Bit | Field                  | Type | Reset | Description                                                                                                                          |
|-----|------------------------|------|-------|--------------------------------------------------------------------------------------------------------------------------------------|
| 7-0 | MAX_VALUE_CH0_LSB[7:0] | R    | 0b    | Maximum code recorded on analog input channel from the last time this register was read. Reading the register resets the value to 0. |

**8.6.54 MAX\_CH0\_MSB Register (Address = 0x61) [reset = 0x0]**

 MAX\_CH0\_MSB is shown in [Figure 71](#) and described in [Table 65](#).

 Return to the [Summary Table](#).

**Figure 71. MAX\_CH0\_MSB Register**

|                        |   |   |   |   |   |   |   |
|------------------------|---|---|---|---|---|---|---|
| 7                      | 6 | 5 | 4 | 3 | 2 | 1 | 0 |
| MAX_VALUE_CH0_MSB[7:0] |   |   |   |   |   |   |   |
| R-0b                   |   |   |   |   |   |   |   |

**Table 65. MAX\_CH0\_MSB Register Field Descriptions**

| Bit | Field                  | Type | Reset | Description                                                                                                                          |
|-----|------------------------|------|-------|--------------------------------------------------------------------------------------------------------------------------------------|
| 7-0 | MAX_VALUE_CH0_MSB[7:0] | R    | 0b    | Maximum code recorded on analog input channel from the last time this register was read. Reading the register resets the value to 0. |

**8.6.55 MAX\_CH1\_LSB Register (Address = 0x62) [reset = 0x0]**

MAX\_CH1\_LSB is shown in [Figure 72](#) and described in [Table 66](#).

Return to the [Summary Table](#).

**Figure 72. MAX\_CH1\_LSB Register**

|                        |   |   |   |   |   |   |   |
|------------------------|---|---|---|---|---|---|---|
| 7                      | 6 | 5 | 4 | 3 | 2 | 1 | 0 |
| MAX_VALUE_CH1_LSB[7:0] |   |   |   |   |   |   |   |
| R-0b                   |   |   |   |   |   |   |   |

**Table 66. MAX\_CH1\_LSB Register Field Descriptions**

| Bit | Field                  | Type | Reset | Description                                                                                                                          |
|-----|------------------------|------|-------|--------------------------------------------------------------------------------------------------------------------------------------|
| 7-0 | MAX_VALUE_CH1_LSB[7:0] | R    | 0b    | Maximum code recorded on analog input channel from the last time this register was read. Reading the register resets the value to 0. |

**8.6.56 MAX\_CH1\_MSB Register (Address = 0x63) [reset = 0x0]**

MAX\_CH1\_MSB is shown in [Figure 73](#) and described in [Table 67](#).

Return to the [Summary Table](#).

**Figure 73. MAX\_CH1\_MSB Register**

|                        |   |   |   |   |   |   |   |
|------------------------|---|---|---|---|---|---|---|
| 7                      | 6 | 5 | 4 | 3 | 2 | 1 | 0 |
| MAX_VALUE_CH1_MSB[7:0] |   |   |   |   |   |   |   |
| R-0b                   |   |   |   |   |   |   |   |

**Table 67. MAX\_CH1\_MSB Register Field Descriptions**

| Bit | Field                  | Type | Reset | Description                                                                                                                          |
|-----|------------------------|------|-------|--------------------------------------------------------------------------------------------------------------------------------------|
| 7-0 | MAX_VALUE_CH1_MSB[7:0] | R    | 0b    | Maximum code recorded on analog input channel from the last time this register was read. Reading the register resets the value to 0. |

**8.6.57 MAX\_CH2\_LSB Register (Address = 0x64) [reset = 0x0]**

MAX\_CH2\_LSB is shown in [Figure 74](#) and described in [Table 68](#).

Return to the [Summary Table](#).

**Figure 74. MAX\_CH2\_LSB Register**

|                        |   |   |   |   |   |   |   |
|------------------------|---|---|---|---|---|---|---|
| 7                      | 6 | 5 | 4 | 3 | 2 | 1 | 0 |
| MAX_VALUE_CH2_LSB[7:0] |   |   |   |   |   |   |   |
| R-0b                   |   |   |   |   |   |   |   |

**Table 68. MAX\_CH2\_LSB Register Field Descriptions**

| Bit | Field                  | Type | Reset | Description                                                                                                                          |
|-----|------------------------|------|-------|--------------------------------------------------------------------------------------------------------------------------------------|
| 7-0 | MAX_VALUE_CH2_LSB[7:0] | R    | 0b    | Maximum code recorded on analog input channel from the last time this register was read. Reading the register resets the value to 0. |

**8.6.58 MAX\_CH2\_MSB Register (Address = 0x65) [reset = 0x0]**

MAX\_CH2\_MSB is shown in [Figure 75](#) and described in [Table 69](#).

Return to the [Summary Table](#).

**Figure 75. MAX\_CH2\_MSB Register**

|                        |   |   |   |   |   |   |   |
|------------------------|---|---|---|---|---|---|---|
| 7                      | 6 | 5 | 4 | 3 | 2 | 1 | 0 |
| MAX_VALUE_CH2_MSB[7:0] |   |   |   |   |   |   |   |
| R-0b                   |   |   |   |   |   |   |   |

**Table 69. MAX\_CH2\_MSB Register Field Descriptions**

| Bit | Field                  | Type | Reset | Description                                                                                                                          |
|-----|------------------------|------|-------|--------------------------------------------------------------------------------------------------------------------------------------|
| 7-0 | MAX_VALUE_CH2_MSB[7:0] | R    | 0b    | Maximum code recorded on analog input channel from the last time this register was read. Reading the register resets the value to 0. |

**8.6.59 MAX\_CH3\_LSB Register (Address = 0x66) [reset = 0x0]**

MAX\_CH3\_LSB is shown in [Figure 76](#) and described in [Table 70](#).

Return to the [Summary Table](#).

**Figure 76. MAX\_CH3\_LSB Register**

|                        |   |   |   |   |   |   |   |
|------------------------|---|---|---|---|---|---|---|
| 7                      | 6 | 5 | 4 | 3 | 2 | 1 | 0 |
| MAX_VALUE_CH3_LSB[7:0] |   |   |   |   |   |   |   |
| R-0b                   |   |   |   |   |   |   |   |

**Table 70. MAX\_CH3\_LSB Register Field Descriptions**

| Bit | Field                  | Type | Reset | Description                                                                                                                          |
|-----|------------------------|------|-------|--------------------------------------------------------------------------------------------------------------------------------------|
| 7-0 | MAX_VALUE_CH3_LSB[7:0] | R    | 0b    | Maximum code recorded on analog input channel from the last time this register was read. Reading the register resets the value to 0. |

**8.6.60 MAX\_CH3\_MSB Register (Address = 0x67) [reset = 0x0]**

MAX\_CH3\_MSB is shown in [Figure 77](#) and described in [Table 71](#).

Return to the [Summary Table](#).

**Figure 77. MAX\_CH3\_MSB Register**

|                        |   |   |   |   |   |   |   |
|------------------------|---|---|---|---|---|---|---|
| 7                      | 6 | 5 | 4 | 3 | 2 | 1 | 0 |
| MAX_VALUE_CH3_MSB[7:0] |   |   |   |   |   |   |   |
| R-0b                   |   |   |   |   |   |   |   |

**Table 71. MAX\_CH3\_MSB Register Field Descriptions**

| Bit | Field                  | Type | Reset | Description                                                                                                                          |
|-----|------------------------|------|-------|--------------------------------------------------------------------------------------------------------------------------------------|
| 7-0 | MAX_VALUE_CH3_MSB[7:0] | R    | 0b    | Maximum code recorded on analog input channel from the last time this register was read. Reading the register resets the value to 0. |



### 8.6.61 MAX\_CH4\_LSB Register (Address = 0x68) [reset = 0x0]

MAX\_CH4\_LSB is shown in [Figure 78](#) and described in [Table 72](#).

Return to the [Summary Table](#).

**Figure 78. MAX\_CH4\_LSB Register**

|                        |   |   |   |   |   |   |   |
|------------------------|---|---|---|---|---|---|---|
| 7                      | 6 | 5 | 4 | 3 | 2 | 1 | 0 |
| MAX_VALUE_CH4_LSB[7:0] |   |   |   |   |   |   |   |
| R-0b                   |   |   |   |   |   |   |   |

**Table 72. MAX\_CH4\_LSB Register Field Descriptions**

| Bit | Field                  | Type | Reset | Description                                                                                                                          |
|-----|------------------------|------|-------|--------------------------------------------------------------------------------------------------------------------------------------|
| 7-0 | MAX_VALUE_CH4_LSB[7:0] | R    | 0b    | Maximum code recorded on analog input channel from the last time this register was read. Reading the register resets the value to 0. |

### 8.6.62 MAX\_CH4\_MSB Register (Address = 0x69) [reset = 0x0]

MAX\_CH4\_MSB is shown in [Figure 79](#) and described in [Table 73](#).

Return to the [Summary Table](#).

**Figure 79. MAX\_CH4\_MSB Register**

|                        |   |   |   |   |   |   |   |
|------------------------|---|---|---|---|---|---|---|
| 7                      | 6 | 5 | 4 | 3 | 2 | 1 | 0 |
| MAX_VALUE_CH4_MSB[7:0] |   |   |   |   |   |   |   |
| R-0b                   |   |   |   |   |   |   |   |

**Table 73. MAX\_CH4\_MSB Register Field Descriptions**

| Bit | Field                  | Type | Reset | Description                                                                                                                          |
|-----|------------------------|------|-------|--------------------------------------------------------------------------------------------------------------------------------------|
| 7-0 | MAX_VALUE_CH4_MSB[7:0] | R    | 0b    | Maximum code recorded on analog input channel from the last time this register was read. Reading the register resets the value to 0. |

### 8.6.63 MAX\_CH5\_LSB Register (Address = 0x6A) [reset = 0x0]

MAX\_CH5\_LSB is shown in [Figure 80](#) and described in [Table 74](#).

Return to the [Summary Table](#).

**Figure 80. MAX\_CH5\_LSB Register**

|                        |   |   |   |   |   |   |   |
|------------------------|---|---|---|---|---|---|---|
| 7                      | 6 | 5 | 4 | 3 | 2 | 1 | 0 |
| MAX_VALUE_CH5_LSB[7:0] |   |   |   |   |   |   |   |
| R-0b                   |   |   |   |   |   |   |   |

**Table 74. MAX\_CH5\_LSB Register Field Descriptions**

| Bit | Field                  | Type | Reset | Description                                                                                                                          |
|-----|------------------------|------|-------|--------------------------------------------------------------------------------------------------------------------------------------|
| 7-0 | MAX_VALUE_CH5_LSB[7:0] | R    | 0b    | Maximum code recorded on analog input channel from the last time this register was read. Reading the register resets the value to 0. |

### 8.6.64 MAX\_CH5\_MSB Register (Address = 0x6B) [reset = 0x0]

MAX\_CH5\_MSB is shown in [Figure 81](#) and described in [Table 75](#).

Return to the [Summary Table](#).

**Figure 81. MAX\_CH5\_MSB Register**

|                        |   |   |   |   |   |   |   |
|------------------------|---|---|---|---|---|---|---|
| 7                      | 6 | 5 | 4 | 3 | 2 | 1 | 0 |
| MAX_VALUE_CH5_MSB[7:0] |   |   |   |   |   |   |   |
| R-0b                   |   |   |   |   |   |   |   |

**Table 75. MAX\_CH5\_MSB Register Field Descriptions**

| Bit | Field                  | Type | Reset | Description                                                                                                                          |
|-----|------------------------|------|-------|--------------------------------------------------------------------------------------------------------------------------------------|
| 7-0 | MAX_VALUE_CH5_MSB[7:0] | R    | 0b    | Maximum code recorded on analog input channel from the last time this register was read. Reading the register resets the value to 0. |

**8.6.65 MAX\_CH6\_LSB Register (Address = 0x6C) [reset = 0x0]**

MAX\_CH6\_LSB is shown in [Figure 82](#) and described in [Table 76](#).

Return to the [Summary Table](#).

**Figure 82. MAX\_CH6\_LSB Register**

|                        |   |   |   |   |   |   |   |
|------------------------|---|---|---|---|---|---|---|
| 7                      | 6 | 5 | 4 | 3 | 2 | 1 | 0 |
| MAX_VALUE_CH6_LSB[7:0] |   |   |   |   |   |   |   |
| R-0b                   |   |   |   |   |   |   |   |

**Table 76. MAX\_CH6\_LSB Register Field Descriptions**

| Bit | Field                  | Type | Reset | Description                                                                                                                          |
|-----|------------------------|------|-------|--------------------------------------------------------------------------------------------------------------------------------------|
| 7-0 | MAX_VALUE_CH6_LSB[7:0] | R    | 0b    | Maximum code recorded on analog input channel from the last time this register was read. Reading the register resets the value to 0. |

**8.6.66 MAX\_CH6\_MSB Register (Address = 0x6D) [reset = 0x0]**

MAX\_CH6\_MSB is shown in [Figure 83](#) and described in [Table 77](#).

Return to the [Summary Table](#).

**Figure 83. MAX\_CH6\_MSB Register**

|                        |   |   |   |   |   |   |   |
|------------------------|---|---|---|---|---|---|---|
| 7                      | 6 | 5 | 4 | 3 | 2 | 1 | 0 |
| MAX_VALUE_CH6_MSB[7:0] |   |   |   |   |   |   |   |
| R-0b                   |   |   |   |   |   |   |   |

**Table 77. MAX\_CH6\_MSB Register Field Descriptions**

| Bit | Field                  | Type | Reset | Description                                                                                                                          |
|-----|------------------------|------|-------|--------------------------------------------------------------------------------------------------------------------------------------|
| 7-0 | MAX_VALUE_CH6_MSB[7:0] | R    | 0b    | Maximum code recorded on analog input channel from the last time this register was read. Reading the register resets the value to 0. |

**8.6.67 MAX\_CH7\_LSB Register (Address = 0x6E) [reset = 0x0]**

MAX\_CH7\_LSB is shown in [Figure 84](#) and described in [Table 78](#).

Return to the [Summary Table](#).

**Figure 84. MAX\_CH7\_LSB Register**

|                        |   |   |   |   |   |   |   |
|------------------------|---|---|---|---|---|---|---|
| 7                      | 6 | 5 | 4 | 3 | 2 | 1 | 0 |
| MAX_VALUE_CH7_LSB[7:0] |   |   |   |   |   |   |   |
| R-0b                   |   |   |   |   |   |   |   |

**Table 78. MAX\_CH7\_LSB Register Field Descriptions**

| Bit | Field                  | Type | Reset | Description                                                                                                                          |
|-----|------------------------|------|-------|--------------------------------------------------------------------------------------------------------------------------------------|
| 7-0 | MAX_VALUE_CH7_LSB[7:0] | R    | 0b    | Maximum code recorded on analog input channel from the last time this register was read. Reading the register resets the value to 0. |

**8.6.68 MAX\_CH7\_MSB Register (Address = 0x6F) [reset = 0x0]**

MAX\_CH7\_MSB is shown in [Figure 85](#) and described in [Table 79](#).

Return to the [Summary Table](#).

**Figure 85. MAX\_CH7\_MSB Register**

|                        |   |   |   |   |   |   |   |
|------------------------|---|---|---|---|---|---|---|
| 7                      | 6 | 5 | 4 | 3 | 2 | 1 | 0 |
| MAX_VALUE_CH7_MSB[7:0] |   |   |   |   |   |   |   |
| R-0b                   |   |   |   |   |   |   |   |

**Table 79. MAX\_CH7\_MSB Register Field Descriptions**

| Bit | Field                  | Type | Reset | Description                                                                                                                          |
|-----|------------------------|------|-------|--------------------------------------------------------------------------------------------------------------------------------------|
| 7-0 | MAX_VALUE_CH7_MSB[7:0] | R    | 0b    | Maximum code recorded on analog input channel from the last time this register was read. Reading the register resets the value to 0. |

**8.6.69 MIN\_CH0\_LSB Register (Address = 0x80) [reset = 0xFF]**

MIN\_CH0\_LSB is shown in [Figure 86](#) and described in [Table 80](#).

Return to the [Summary Table](#).

**Figure 86. MIN\_CH0\_LSB Register**

|                        |   |   |   |   |   |   |   |
|------------------------|---|---|---|---|---|---|---|
| 7                      | 6 | 5 | 4 | 3 | 2 | 1 | 0 |
| MIN_VALUE_CH0_LSB[7:0] |   |   |   |   |   |   |   |
| R-11111111b            |   |   |   |   |   |   |   |

**Table 80. MIN\_CH0\_LSB Register Field Descriptions**

| Bit | Field                  | Type | Reset     | Description                                                                                                                                 |
|-----|------------------------|------|-----------|---------------------------------------------------------------------------------------------------------------------------------------------|
| 7-0 | MIN_VALUE_CH0_LSB[7:0] | R    | 11111111b | Minimum code recorded on the analog input channel from the last time this register was read. Reading the register resets the value to 0xFF. |

**8.6.70 MIN\_CH0\_MSB Register (Address = 0x81) [reset = 0xFF]**

MIN\_CH0\_MSB is shown in [Figure 87](#) and described in [Table 81](#).

Return to the [Summary Table](#).

**Figure 87. MIN\_CH0\_MSB Register**

|                        |   |   |   |   |   |   |   |
|------------------------|---|---|---|---|---|---|---|
| 7                      | 6 | 5 | 4 | 3 | 2 | 1 | 0 |
| MIN_VALUE_CH0_MSB[7:0] |   |   |   |   |   |   |   |
| R-11111111b            |   |   |   |   |   |   |   |

**Table 81. MIN\_CH0\_MSB Register Field Descriptions**

| Bit | Field                  | Type | Reset     | Description                                                                                                                                 |
|-----|------------------------|------|-----------|---------------------------------------------------------------------------------------------------------------------------------------------|
| 7-0 | MIN_VALUE_CH0_MSB[7:0] | R    | 11111111b | Minimum code recorded on the analog input channel from the last time this register was read. Reading the register resets the value to 0xFF. |

**8.6.71 MIN\_CH1\_LSB Register (Address = 0x82) [reset = 0xFF]**

MIN\_CH1\_LSB is shown in [Figure 88](#) and described in [Table 82](#).

Return to the [Summary Table](#).

**Figure 88. MIN\_CH1\_LSB Register**

|                        |   |   |   |   |   |   |   |
|------------------------|---|---|---|---|---|---|---|
| 7                      | 6 | 5 | 4 | 3 | 2 | 1 | 0 |
| MIN_VALUE_CH1_LSB[7:0] |   |   |   |   |   |   |   |
| R-11111111b            |   |   |   |   |   |   |   |

**Table 82. MIN\_CH1\_LSB Register Field Descriptions**

| Bit | Field                  | Type | Reset     | Description                                                                                                                                 |
|-----|------------------------|------|-----------|---------------------------------------------------------------------------------------------------------------------------------------------|
| 7-0 | MIN_VALUE_CH1_LSB[7:0] | R    | 11111111b | Minimum code recorded on the analog input channel from the last time this register was read. Reading the register resets the value to 0xFF. |

**8.6.72 MIN\_CH1\_MSB Register (Address = 0x83) [reset = 0xFF]**

MIN\_CH1\_MSB is shown in [Figure 89](#) and described in [Table 83](#).

Return to the [Summary Table](#).

**Figure 89. MIN\_CH1\_MSB Register**

|                        |   |   |   |   |   |   |   |
|------------------------|---|---|---|---|---|---|---|
| 7                      | 6 | 5 | 4 | 3 | 2 | 1 | 0 |
| MIN_VALUE_CH1_MSB[7:0] |   |   |   |   |   |   |   |
| R-11111111b            |   |   |   |   |   |   |   |

**Table 83. MIN\_CH1\_MSB Register Field Descriptions**

| Bit | Field                  | Type | Reset     | Description                                                                                                                                 |
|-----|------------------------|------|-----------|---------------------------------------------------------------------------------------------------------------------------------------------|
| 7-0 | MIN_VALUE_CH1_MSB[7:0] | R    | 11111111b | Minimum code recorded on the analog input channel from the last time this register was read. Reading the register resets the value to 0xFF. |

**8.6.73 MIN\_CH2\_LSB Register (Address = 0x84) [reset = 0xFF]**

MIN\_CH2\_LSB is shown in [Figure 90](#) and described in [Table 84](#).

Return to the [Summary Table](#).

**Figure 90. MIN\_CH2\_LSB Register**

|                        |   |   |   |   |   |   |   |
|------------------------|---|---|---|---|---|---|---|
| 7                      | 6 | 5 | 4 | 3 | 2 | 1 | 0 |
| MIN_VALUE_CH2_LSB[7:0] |   |   |   |   |   |   |   |
| R-11111111b            |   |   |   |   |   |   |   |

**Table 84. MIN\_CH2\_LSB Register Field Descriptions**

| Bit | Field                  | Type | Reset     | Description                                                                                                                                 |
|-----|------------------------|------|-----------|---------------------------------------------------------------------------------------------------------------------------------------------|
| 7-0 | MIN_VALUE_CH2_LSB[7:0] | R    | 11111111b | Minimum code recorded on the analog input channel from the last time this register was read. Reading the register resets the value to 0xFF. |

**8.6.74 MIN\_CH2\_MSB Register (Address = 0x85) [reset = 0xFF]**

MIN\_CH2\_MSB is shown in [Figure 91](#) and described in [Table 85](#).

Return to the [Summary Table](#).

**Figure 91. MIN\_CH2\_MSB Register**

|                        |   |   |   |   |   |   |   |
|------------------------|---|---|---|---|---|---|---|
| 7                      | 6 | 5 | 4 | 3 | 2 | 1 | 0 |
| MIN_VALUE_CH2_MSB[7:0] |   |   |   |   |   |   |   |
| R-11111111b            |   |   |   |   |   |   |   |

**Table 85. MIN\_CH2\_MSB Register Field Descriptions**

| Bit | Field                  | Type | Reset     | Description                                                                                                                                 |
|-----|------------------------|------|-----------|---------------------------------------------------------------------------------------------------------------------------------------------|
| 7-0 | MIN_VALUE_CH2_MSB[7:0] | R    | 11111111b | Minimum code recorded on the analog input channel from the last time this register was read. Reading the register resets the value to 0xFF. |

**8.6.75 MIN\_CH3\_LSB Register (Address = 0x86) [reset = 0xFF]**

MIN\_CH3\_LSB is shown in [Figure 92](#) and described in [Table 86](#).

Return to the [Summary Table](#).

**Figure 92. MIN\_CH3\_LSB Register**

|                        |   |   |   |   |   |   |   |
|------------------------|---|---|---|---|---|---|---|
| 7                      | 6 | 5 | 4 | 3 | 2 | 1 | 0 |
| MIN_VALUE_CH3_LSB[7:0] |   |   |   |   |   |   |   |
| R-11111111b            |   |   |   |   |   |   |   |

**Table 86. MIN\_CH3\_LSB Register Field Descriptions**

| Bit | Field                  | Type | Reset     | Description                                                                                                                                 |
|-----|------------------------|------|-----------|---------------------------------------------------------------------------------------------------------------------------------------------|
| 7-0 | MIN_VALUE_CH3_LSB[7:0] | R    | 11111111b | Minimum code recorded on the analog input channel from the last time this register was read. Reading the register resets the value to 0xFF. |

**8.6.76 MIN\_CH3\_MSB Register (Address = 0x87) [reset = 0xFF]**

MIN\_CH3\_MSB is shown in [Figure 93](#) and described in [Table 87](#).

Return to the [Summary Table](#).

**Figure 93. MIN\_CH3\_MSB Register**

|                        |   |   |   |   |   |   |   |
|------------------------|---|---|---|---|---|---|---|
| 7                      | 6 | 5 | 4 | 3 | 2 | 1 | 0 |
| MIN_VALUE_CH3_MSB[7:0] |   |   |   |   |   |   |   |
| R-11111111b            |   |   |   |   |   |   |   |

**Table 87. MIN\_CH3\_MSB Register Field Descriptions**

| Bit | Field                  | Type | Reset     | Description                                                                                                                                 |
|-----|------------------------|------|-----------|---------------------------------------------------------------------------------------------------------------------------------------------|
| 7-0 | MIN_VALUE_CH3_MSB[7:0] | R    | 11111111b | Minimum code recorded on the analog input channel from the last time this register was read. Reading the register resets the value to 0xFF. |

**8.6.77 MIN\_CH4\_LSB Register (Address = 0x88) [reset = 0xFF]**

MIN\_CH4\_LSB is shown in [Figure 94](#) and described in [Table 88](#).

Return to the [Summary Table](#).

**Figure 94. MIN\_CH4\_LSB Register**

|                        |   |   |   |   |   |   |   |
|------------------------|---|---|---|---|---|---|---|
| 7                      | 6 | 5 | 4 | 3 | 2 | 1 | 0 |
| MIN_VALUE_CH4_LSB[7:0] |   |   |   |   |   |   |   |
| R-11111111b            |   |   |   |   |   |   |   |

**Table 88. MIN\_CH4\_LSB Register Field Descriptions**

| Bit | Field                  | Type | Reset     | Description                                                                                                                                 |
|-----|------------------------|------|-----------|---------------------------------------------------------------------------------------------------------------------------------------------|
| 7-0 | MIN_VALUE_CH4_LSB[7:0] | R    | 11111111b | Minimum code recorded on the analog input channel from the last time this register was read. Reading the register resets the value to 0xFF. |

**8.6.78 MIN\_CH4\_MSB Register (Address = 0x89) [reset = 0xFF]**

MIN\_CH4\_MSB is shown in [Figure 95](#) and described in [Table 89](#).

Return to the [Summary Table](#).

**Figure 95. MIN\_CH4\_MSB Register**

|                        |   |   |   |   |   |   |   |
|------------------------|---|---|---|---|---|---|---|
| 7                      | 6 | 5 | 4 | 3 | 2 | 1 | 0 |
| MIN_VALUE_CH4_MSB[7:0] |   |   |   |   |   |   |   |
| R-11111111b            |   |   |   |   |   |   |   |

**Table 89. MIN\_CH4\_MSB Register Field Descriptions**

| Bit | Field                  | Type | Reset     | Description                                                                                                                                 |
|-----|------------------------|------|-----------|---------------------------------------------------------------------------------------------------------------------------------------------|
| 7-0 | MIN_VALUE_CH4_MSB[7:0] | R    | 11111111b | Minimum code recorded on the analog input channel from the last time this register was read. Reading the register resets the value to 0xFF. |

**8.6.79 MIN\_CH5\_LSB Register (Address = 0x8A) [reset = 0xFF]**

MIN\_CH5\_LSB is shown in [Figure 96](#) and described in [Table 90](#).

Return to the [Summary Table](#).

**Figure 96. MIN\_CH5\_LSB Register**

|                        |   |   |   |   |   |   |   |
|------------------------|---|---|---|---|---|---|---|
| 7                      | 6 | 5 | 4 | 3 | 2 | 1 | 0 |
| MIN_VALUE_CH5_LSB[7:0] |   |   |   |   |   |   |   |
| R-11111111b            |   |   |   |   |   |   |   |

**Table 90. MIN\_CH5\_LSB Register Field Descriptions**

| Bit | Field                  | Type | Reset     | Description                                                                                                                                 |
|-----|------------------------|------|-----------|---------------------------------------------------------------------------------------------------------------------------------------------|
| 7-0 | MIN_VALUE_CH5_LSB[7:0] | R    | 11111111b | Minimum code recorded on the analog input channel from the last time this register was read. Reading the register resets the value to 0xFF. |

**8.6.80 MIN\_CH5\_MSB Register (Address = 0x8B) [reset = 0xFF]**

MIN\_CH5\_MSB is shown in [Figure 97](#) and described in [Table 91](#).

Return to the [Summary Table](#).

**Figure 97. MIN\_CH5\_MSB Register**

|                        |   |   |   |   |   |   |   |
|------------------------|---|---|---|---|---|---|---|
| 7                      | 6 | 5 | 4 | 3 | 2 | 1 | 0 |
| MIN_VALUE_CH5_MSB[7:0] |   |   |   |   |   |   |   |
| R-11111111b            |   |   |   |   |   |   |   |

**Table 91. MIN\_CH5\_MSB Register Field Descriptions**

| Bit | Field                  | Type | Reset     | Description                                                                                                                                 |
|-----|------------------------|------|-----------|---------------------------------------------------------------------------------------------------------------------------------------------|
| 7-0 | MIN_VALUE_CH5_MSB[7:0] | R    | 11111111b | Minimum code recorded on the analog input channel from the last time this register was read. Reading the register resets the value to 0xFF. |

**8.6.81 MIN\_CH6\_LSB Register (Address = 0x8C) [reset = 0xFF]**

MIN\_CH6\_LSB is shown in [Figure 98](#) and described in [Table 92](#).

Return to the [Summary Table](#).

**Figure 98. MIN\_CH6\_LSB Register**

|                        |   |   |   |   |   |   |   |
|------------------------|---|---|---|---|---|---|---|
| 7                      | 6 | 5 | 4 | 3 | 2 | 1 | 0 |
| MIN_VALUE_CH6_LSB[7:0] |   |   |   |   |   |   |   |
| R-11111111b            |   |   |   |   |   |   |   |

**Table 92. MIN\_CH6\_LSB Register Field Descriptions**

| Bit | Field                  | Type | Reset     | Description                                                                                                                                 |
|-----|------------------------|------|-----------|---------------------------------------------------------------------------------------------------------------------------------------------|
| 7-0 | MIN_VALUE_CH6_LSB[7:0] | R    | 11111111b | Minimum code recorded on the analog input channel from the last time this register was read. Reading the register resets the value to 0xFF. |

**8.6.82 MIN\_CH6\_MSB Register (Address = 0x8D) [reset = 0xFF]**

MIN\_CH6\_MSB is shown in [Figure 99](#) and described in [Table 93](#).

Return to the [Summary Table](#).

**Figure 99. MIN\_CH6\_MSB Register**

|                        |   |   |   |   |   |   |   |
|------------------------|---|---|---|---|---|---|---|
| 7                      | 6 | 5 | 4 | 3 | 2 | 1 | 0 |
| MIN_VALUE_CH6_MSB[7:0] |   |   |   |   |   |   |   |
| R-11111111b            |   |   |   |   |   |   |   |

**Table 93. MIN\_CH6\_MSB Register Field Descriptions**

| Bit | Field                  | Type | Reset     | Description                                                                                                                                 |
|-----|------------------------|------|-----------|---------------------------------------------------------------------------------------------------------------------------------------------|
| 7-0 | MIN_VALUE_CH6_MSB[7:0] | R    | 11111111b | Minimum code recorded on the analog input channel from the last time this register was read. Reading the register resets the value to 0xFF. |

**8.6.83 MIN\_CH7\_LSB Register (Address = 0x8E) [reset = 0xFF]**

MIN\_CH7\_LSB is shown in [Figure 100](#) and described in [Table 94](#).

Return to the [Summary Table](#).

**Figure 100. MIN\_CH7\_LSB Register**

|                        |   |   |   |   |   |   |   |
|------------------------|---|---|---|---|---|---|---|
| 7                      | 6 | 5 | 4 | 3 | 2 | 1 | 0 |
| MIN_VALUE_CH7_LSB[7:0] |   |   |   |   |   |   |   |
| R-11111111b            |   |   |   |   |   |   |   |

**Table 94. MIN\_CH7\_LSB Register Field Descriptions**

| Bit | Field                  | Type | Reset     | Description                                                                                                                                 |
|-----|------------------------|------|-----------|---------------------------------------------------------------------------------------------------------------------------------------------|
| 7-0 | MIN_VALUE_CH7_LSB[7:0] | R    | 11111111b | Minimum code recorded on the analog input channel from the last time this register was read. Reading the register resets the value to 0xFF. |

**8.6.84 MIN\_CH7\_MSB Register (Address = 0x8F) [reset = 0xFF]**

MIN\_CH7\_MSB is shown in [Figure 101](#) and described in [Table 95](#).

Return to the [Summary Table](#).

**Figure 101. MIN\_CH7\_MSB Register**

|                        |   |   |   |   |   |   |   |
|------------------------|---|---|---|---|---|---|---|
| 7                      | 6 | 5 | 4 | 3 | 2 | 1 | 0 |
| MIN_VALUE_CH7_MSB[7:0] |   |   |   |   |   |   |   |
| R-11111111b            |   |   |   |   |   |   |   |

**Table 95. MIN\_CH7\_MSB Register Field Descriptions**

| Bit | Field                  | Type | Reset     | Description                                                                                                                                 |
|-----|------------------------|------|-----------|---------------------------------------------------------------------------------------------------------------------------------------------|
| 7-0 | MIN_VALUE_CH7_MSB[7:0] | R    | 11111111b | Minimum code recorded on the analog input channel from the last time this register was read. Reading the register resets the value to 0xFF. |

**8.6.85 RECENT\_CH0\_LSB Register (Address = 0xA0) [reset = 0x0]**

RECENT\_CH0\_LSB is shown in [Figure 102](#) and described in [Table 96](#).

Return to the [Summary Table](#).

**Figure 102. RECENT\_CH0\_LSB Register**

|                         |   |   |   |   |   |   |   |
|-------------------------|---|---|---|---|---|---|---|
| 7                       | 6 | 5 | 4 | 3 | 2 | 1 | 0 |
| LAST_VALUE_CH0_LSB[7:0] |   |   |   |   |   |   |   |
| R-0b                    |   |   |   |   |   |   |   |

**Table 96. RECENT\_CH0\_LSB Register Field Descriptions**

| Bit | Field                   | Type | Reset | Description                                                   |
|-----|-------------------------|------|-------|---------------------------------------------------------------|
| 7-0 | LAST_VALUE_CH0_LSB[7:0] | R    | 0b    | Next 8 bits of the last result for this analog input channel. |

**8.6.86 RECENT\_CH0\_MSB Register (Address = 0xA1) [reset = 0x0]**

RECENT\_CH0\_MSB is shown in [Figure 103](#) and described in [Table 97](#).

Return to the [Summary Table](#).

**Figure 103. RECENT\_CH0\_MSB Register**

|                         |   |   |   |   |   |   |   |
|-------------------------|---|---|---|---|---|---|---|
| 7                       | 6 | 5 | 4 | 3 | 2 | 1 | 0 |
| LAST_VALUE_CH0_MSB[7:0] |   |   |   |   |   |   |   |
| R-0b                    |   |   |   |   |   |   |   |

**Table 97. RECENT\_CH0\_MSB Register Field Descriptions**

| Bit | Field                   | Type | Reset | Description                                                                |
|-----|-------------------------|------|-------|----------------------------------------------------------------------------|
| 7-0 | LAST_VALUE_CH0_MSB[7:0] | R    | 0b    | MSB aligned first 8 bits of the last result for this analog input channel. |

**8.6.87 RECENT\_CH1\_LSB Register (Address = 0xA2) [reset = 0x0]**

RECENT\_CH1\_LSB is shown in [Figure 104](#) and described in [Table 98](#).

Return to the [Summary Table](#).

**Figure 104. RECENT\_CH1\_LSB Register**

|                         |   |   |   |   |   |   |   |
|-------------------------|---|---|---|---|---|---|---|
| 7                       | 6 | 5 | 4 | 3 | 2 | 1 | 0 |
| LAST_VALUE_CH1_LSB[7:0] |   |   |   |   |   |   |   |
| R-0b                    |   |   |   |   |   |   |   |



**Table 98. RECENT\_CH1\_LSB Register Field Descriptions**

| Bit | Field                   | Type | Reset | Description                                                   |
|-----|-------------------------|------|-------|---------------------------------------------------------------|
| 7-0 | LAST_VALUE_CH1_LSB[7:0] | R    | 0b    | Next 8 bits of the last result for this analog input channel. |

**8.6.88 RECENT\_CH1\_MSB Register (Address = 0xA3) [reset = 0x0]**

RECENT\_CH1\_MSB is shown in [Figure 105](#) and described in [Table 99](#).

Return to the [Summary Table](#).

**Figure 105. RECENT\_CH1\_MSB Register**

|                         |   |   |   |   |   |   |   |
|-------------------------|---|---|---|---|---|---|---|
| 7                       | 6 | 5 | 4 | 3 | 2 | 1 | 0 |
| LAST_VALUE_CH1_MSB[7:0] |   |   |   |   |   |   |   |
| R-0b                    |   |   |   |   |   |   |   |

**Table 99. RECENT\_CH1\_MSB Register Field Descriptions**

| Bit | Field                   | Type | Reset | Description                                                                |
|-----|-------------------------|------|-------|----------------------------------------------------------------------------|
| 7-0 | LAST_VALUE_CH1_MSB[7:0] | R    | 0b    | MSB aligned first 8 bits of the last result for this analog input channel. |

**8.6.89 RECENT\_CH2\_LSB Register (Address = 0xA4) [reset = 0x0]**

RECENT\_CH2\_LSB is shown in [Figure 106](#) and described in [Table 100](#).

Return to the [Summary Table](#).

**Figure 106. RECENT\_CH2\_LSB Register**

|                         |   |   |   |   |   |   |   |
|-------------------------|---|---|---|---|---|---|---|
| 7                       | 6 | 5 | 4 | 3 | 2 | 1 | 0 |
| LAST_VALUE_CH2_LSB[7:0] |   |   |   |   |   |   |   |
| R-0b                    |   |   |   |   |   |   |   |

**Table 100. RECENT\_CH2\_LSB Register Field Descriptions**

| Bit | Field                   | Type | Reset | Description                                                   |
|-----|-------------------------|------|-------|---------------------------------------------------------------|
| 7-0 | LAST_VALUE_CH2_LSB[7:0] | R    | 0b    | Next 8 bits of the last result for this analog input channel. |

**8.6.90 RECENT\_CH2\_MSB Register (Address = 0xA5) [reset = 0x0]**

RECENT\_CH2\_MSB is shown in [Figure 107](#) and described in [Table 101](#).

Return to the [Summary Table](#).

**Figure 107. RECENT\_CH2\_MSB Register**

|                         |   |   |   |   |   |   |   |
|-------------------------|---|---|---|---|---|---|---|
| 7                       | 6 | 5 | 4 | 3 | 2 | 1 | 0 |
| LAST_VALUE_CH2_MSB[7:0] |   |   |   |   |   |   |   |
| R-0b                    |   |   |   |   |   |   |   |

**Table 101. RECENT\_CH2\_MSB Register Field Descriptions**

| Bit | Field                   | Type | Reset | Description                                                                |
|-----|-------------------------|------|-------|----------------------------------------------------------------------------|
| 7-0 | LAST_VALUE_CH2_MSB[7:0] | R    | 0b    | MSB aligned first 8 bits of the last result for this analog input channel. |

**8.6.91 RECENT\_CH3\_LSB Register (Address = 0xA6) [reset = 0x0]**

RECENT\_CH3\_LSB is shown in [Figure 108](#) and described in [Table 102](#).

Return to the [Summary Table](#).

**Figure 108. RECENT\_CH3\_LSB Register**

|                         |   |   |   |   |   |   |   |
|-------------------------|---|---|---|---|---|---|---|
| 7                       | 6 | 5 | 4 | 3 | 2 | 1 | 0 |
| LAST_VALUE_CH3_LSB[7:0] |   |   |   |   |   |   |   |
| R-0b                    |   |   |   |   |   |   |   |

**Table 102. RECENT\_CH3\_LSB Register Field Descriptions**

| Bit | Field                   | Type | Reset | Description                                                   |
|-----|-------------------------|------|-------|---------------------------------------------------------------|
| 7-0 | LAST_VALUE_CH3_LSB[7:0] | R    | 0b    | Next 8 bits of the last result for this analog input channel. |

**8.6.92 RECENT\_CH3\_MSB Register (Address = 0xA7) [reset = 0x0]**

RECENT\_CH3\_MSB is shown in [Figure 109](#) and described in [Table 103](#).

Return to the [Summary Table](#).

**Figure 109. RECENT\_CH3\_MSB Register**

|                         |   |   |   |   |   |   |   |
|-------------------------|---|---|---|---|---|---|---|
| 7                       | 6 | 5 | 4 | 3 | 2 | 1 | 0 |
| LAST_VALUE_CH3_MSB[7:0] |   |   |   |   |   |   |   |
| R-0b                    |   |   |   |   |   |   |   |

**Table 103. RECENT\_CH3\_MSB Register Field Descriptions**

| Bit | Field                   | Type | Reset | Description                                                                |
|-----|-------------------------|------|-------|----------------------------------------------------------------------------|
| 7-0 | LAST_VALUE_CH3_MSB[7:0] | R    | 0b    | MSB aligned first 8 bits of the last result for this analog input channel. |

**8.6.93 RECENT\_CH4\_LSB Register (Address = 0xA8) [reset = 0x0]**

RECENT\_CH4\_LSB is shown in [Figure 110](#) and described in [Table 104](#).

Return to the [Summary Table](#).

**Figure 110. RECENT\_CH4\_LSB Register**

|                         |   |   |   |   |   |   |   |
|-------------------------|---|---|---|---|---|---|---|
| 7                       | 6 | 5 | 4 | 3 | 2 | 1 | 0 |
| LAST_VALUE_CH4_LSB[7:0] |   |   |   |   |   |   |   |
| R-0b                    |   |   |   |   |   |   |   |

**Table 104. RECENT\_CH4\_LSB Register Field Descriptions**

| Bit | Field                   | Type | Reset | Description                                                   |
|-----|-------------------------|------|-------|---------------------------------------------------------------|
| 7-0 | LAST_VALUE_CH4_LSB[7:0] | R    | 0b    | Next 8 bits of the last result for this analog input channel. |

**8.6.94 RECENT\_CH4\_MSB Register (Address = 0xA9) [reset = 0x0]**

RECENT\_CH4\_MSB is shown in [Figure 111](#) and described in [Table 105](#).

Return to the [Summary Table](#).

**Figure 111. RECENT\_CH4\_MSB Register**

|                         |   |   |   |   |   |   |   |
|-------------------------|---|---|---|---|---|---|---|
| 7                       | 6 | 5 | 4 | 3 | 2 | 1 | 0 |
| LAST_VALUE_CH4_MSB[7:0] |   |   |   |   |   |   |   |
| R-0b                    |   |   |   |   |   |   |   |

**Table 105. RECENT\_CH4\_MSB Register Field Descriptions**

| Bit | Field                    | Type | Reset | Description                                                                |
|-----|--------------------------|------|-------|----------------------------------------------------------------------------|
| 7-0 | LAST_VALUE_CH4_MSB [7:0] | R    | 0b    | MSB aligned first 8 bits of the last result for this analog input channel. |

**8.6.95 RECENT\_CH5\_LSB Register (Address = 0xAA) [reset = 0x0]**

RECENT\_CH5\_LSB is shown in [Figure 112](#) and described in [Table 106](#).

Return to the [Summary Table](#).

**Figure 112. RECENT\_CH5\_LSB Register**

|                         |   |   |   |   |   |   |   |
|-------------------------|---|---|---|---|---|---|---|
| 7                       | 6 | 5 | 4 | 3 | 2 | 1 | 0 |
| LAST_VALUE_CH5_LSB[7:0] |   |   |   |   |   |   |   |
| R-0b                    |   |   |   |   |   |   |   |

**Table 106. RECENT\_CH5\_LSB Register Field Descriptions**

| Bit | Field                    | Type | Reset | Description                                                   |
|-----|--------------------------|------|-------|---------------------------------------------------------------|
| 7-0 | LAST_VALUE_CH5_LSB [7:0] | R    | 0b    | Next 8 bits of the last result for this analog input channel. |

**8.6.96 RECENT\_CH5\_MSB Register (Address = 0xAB) [reset = 0x0]**

RECENT\_CH5\_MSB is shown in [Figure 113](#) and described in [Table 107](#).

Return to the [Summary Table](#).

**Figure 113. RECENT\_CH5\_MSB Register**

|                         |   |   |   |   |   |   |   |
|-------------------------|---|---|---|---|---|---|---|
| 7                       | 6 | 5 | 4 | 3 | 2 | 1 | 0 |
| LAST_VALUE_CH5_MSB[7:0] |   |   |   |   |   |   |   |
| R-0b                    |   |   |   |   |   |   |   |

**Table 107. RECENT\_CH5\_MSB Register Field Descriptions**

| Bit | Field                    | Type | Reset | Description                                                                |
|-----|--------------------------|------|-------|----------------------------------------------------------------------------|
| 7-0 | LAST_VALUE_CH5_MSB [7:0] | R    | 0b    | MSB aligned first 8 bits of the last result for this analog input channel. |

**8.6.97 RECENT\_CH6\_LSB Register (Address = 0xAC) [reset = 0x0]**

RECENT\_CH6\_LSB is shown in [Figure 114](#) and described in [Table 108](#).

Return to the [Summary Table](#).

**Figure 114. RECENT\_CH6\_LSB Register**

|                         |   |   |   |   |   |   |   |
|-------------------------|---|---|---|---|---|---|---|
| 7                       | 6 | 5 | 4 | 3 | 2 | 1 | 0 |
| LAST_VALUE_CH6_LSB[7:0] |   |   |   |   |   |   |   |
| R-0b                    |   |   |   |   |   |   |   |

**Table 108. RECENT\_CH6\_LSB Register Field Descriptions**

| Bit | Field                   | Type | Reset | Description                                                   |
|-----|-------------------------|------|-------|---------------------------------------------------------------|
| 7-0 | LAST_VALUE_CH6_LSB[7:0] | R    | 0b    | Next 8 bits of the last result for this analog input channel. |

**8.6.98 RECENT\_CH6\_MSB Register (Address = 0xAD) [reset = 0x0]**

RECENT\_CH6\_MSB is shown in [Figure 115](#) and described in [Table 109](#).

Return to the [Summary Table](#).

**Figure 115. RECENT\_CH6\_MSB Register**

|                         |   |   |   |   |   |   |   |
|-------------------------|---|---|---|---|---|---|---|
| 7                       | 6 | 5 | 4 | 3 | 2 | 1 | 0 |
| LAST_VALUE_CH6_MSB[7:0] |   |   |   |   |   |   |   |
| R-0b                    |   |   |   |   |   |   |   |

**Table 109. RECENT\_CH6\_MSB Register Field Descriptions**

| Bit | Field                   | Type | Reset | Description                                                                |
|-----|-------------------------|------|-------|----------------------------------------------------------------------------|
| 7-0 | LAST_VALUE_CH6_MSB[7:0] | R    | 0b    | MSB aligned first 8 bits of the last result for this analog input channel. |

**8.6.99 RECENT\_CH7\_LSB Register (Address = 0xAE) [reset = 0x0]**

RECENT\_CH7\_LSB is shown in [Figure 116](#) and described in [Table 110](#).

Return to the [Summary Table](#).

**Figure 116. RECENT\_CH7\_LSB Register**

|                         |   |   |   |   |   |   |   |
|-------------------------|---|---|---|---|---|---|---|
| 7                       | 6 | 5 | 4 | 3 | 2 | 1 | 0 |
| LAST_VALUE_CH7_LSB[7:0] |   |   |   |   |   |   |   |
| R-0b                    |   |   |   |   |   |   |   |

**Table 110. RECENT\_CH7\_LSB Register Field Descriptions**

| Bit | Field                   | Type | Reset | Description                                                   |
|-----|-------------------------|------|-------|---------------------------------------------------------------|
| 7-0 | LAST_VALUE_CH7_LSB[7:0] | R    | 0b    | Next 8 bits of the last result for this analog input channel. |

**8.6.100 RECENT\_CH7\_MSB Register (Address = 0xAF) [reset = 0x0]**

RECENT\_CH7\_MSB is shown in [Figure 117](#) and described in [Table 111](#).

Return to the [Summary Table](#).

**Figure 117. RECENT\_CH7\_MSB Register**

|                         |   |   |   |   |   |   |   |
|-------------------------|---|---|---|---|---|---|---|
| 7                       | 6 | 5 | 4 | 3 | 2 | 1 | 0 |
| LAST_VALUE_CH7_MSB[7:0] |   |   |   |   |   |   |   |
| R-0b                    |   |   |   |   |   |   |   |

**Table 111. RECENT\_CH7\_MSB Register Field Descriptions**

| Bit | Field                   | Type | Reset | Description                                                                |
|-----|-------------------------|------|-------|----------------------------------------------------------------------------|
| 7-0 | LAST_VALUE_CH7_MSB[7:0] | R    | 0b    | MSB aligned first 8 bits of the last result for this analog input channel. |

**8.6.101 GPO0\_TRIG\_EVENT\_SEL Register (Address = 0xC3) [reset = 0x2]**

GPO0\_TRIG\_EVENT\_SEL is shown in [Figure 118](#) and described in [Table 112](#).

Return to the [Summary Table](#).

**Figure 118. GPO0\_TRIG\_EVENT\_SEL Register**

|                          |   |   |   |   |   |   |   |
|--------------------------|---|---|---|---|---|---|---|
| 7                        | 6 | 5 | 4 | 3 | 2 | 1 | 0 |
| GPO0_TRIG_EVENT_SEL[7:0] |   |   |   |   |   |   |   |
| R/W-10b                  |   |   |   |   |   |   |   |

**Table 112. GPO0\_TRIG\_EVENT\_SEL Register Field Descriptions**

| Bit | Field                    | Type | Reset | Description                                                                                                                                                                                                                                                                         |
|-----|--------------------------|------|-------|-------------------------------------------------------------------------------------------------------------------------------------------------------------------------------------------------------------------------------------------------------------------------------------|
| 7-0 | GPO0_TRIG_EVENT_SEL[7:0] | R/W  | 10b   | Select the inputs AIN/GPIO[7:0], analog or digital, which can trigger an event based update on GPO0.<br>0b = Alert flags for the AIN/GPIO corresponding to this bit do not trigger GPO0 output.<br>1b = Alert flags for the AIN/GPIO corresponding to this bit trigger GPO0 output. |

**8.6.102 GPO1\_TRIG\_EVENT\_SEL Register (Address = 0xC5) [reset = 0x2]**

GPO1\_TRIG\_EVENT\_SEL is shown in [Figure 119](#) and described in [Table 113](#).

Return to the [Summary Table](#).

**Figure 119. GPO1\_TRIG\_EVENT\_SEL Register**

|                          |   |   |   |   |   |   |   |
|--------------------------|---|---|---|---|---|---|---|
| 7                        | 6 | 5 | 4 | 3 | 2 | 1 | 0 |
| GPO1_TRIG_EVENT_SEL[7:0] |   |   |   |   |   |   |   |
| R/W-10b                  |   |   |   |   |   |   |   |

**Table 113. GPO1\_TRIG\_EVENT\_SEL Register Field Descriptions**

| Bit | Field                    | Type | Reset | Description                                                                                                                                                                                                                                                                         |
|-----|--------------------------|------|-------|-------------------------------------------------------------------------------------------------------------------------------------------------------------------------------------------------------------------------------------------------------------------------------------|
| 7-0 | GPO1_TRIG_EVENT_SEL[7:0] | R/W  | 10b   | Select the inputs AIN/GPIO[7:0], analog or digital, which can trigger an event based update on GPO1.<br>0b = Alert flags for the AIN/GPIO corresponding to this bit do not trigger GPO1 output.<br>1b = Alert flags for the AIN/GPIO corresponding to this bit trigger GPO1 output. |

**8.6.103 GPO2\_TRIG\_EVENT\_SEL Register (Address = 0xC7) [reset = 0x2]**

GPO2\_TRIG\_EVENT\_SEL is shown in [Figure 120](#) and described in [Table 114](#).

Return to the [Summary Table](#).

**Figure 120. GPO2\_TRIG\_EVENT\_SEL Register**

|                          |   |   |   |   |   |   |   |
|--------------------------|---|---|---|---|---|---|---|
| 7                        | 6 | 5 | 4 | 3 | 2 | 1 | 0 |
| GPO2_TRIG_EVENT_SEL[7:0] |   |   |   |   |   |   |   |
| R/W-10b                  |   |   |   |   |   |   |   |

**Table 114. GPO2\_TRIG\_EVENT\_SEL Register Field Descriptions**

| Bit | Field                    | Type | Reset | Description                                                                                                                                                                                                                                                                             |
|-----|--------------------------|------|-------|-----------------------------------------------------------------------------------------------------------------------------------------------------------------------------------------------------------------------------------------------------------------------------------------|
| 7-0 | GPO2_TRIG_EVENT_SEL[7:0] | R/W  | 10b   | Select the inputs AIN/GPIO[7:0], analog or digital, which can trigger an event based update on GPO2.<br><br>0b = Alert flags for the AIN/GPIO corresponding to this bit do not trigger GPO2 output.<br>1b = Alert flags for the AIN/GPIO corresponding to this bit trigger GPO2 output. |

**8.6.104 GPO3\_TRIG\_EVENT\_SEL Register (Address = 0xC9) [reset = 0x2]**

 GPO3\_TRIG\_EVENT\_SEL is shown in [Figure 121](#) and described in [Table 115](#).

 Return to the [Summary Table](#).

**Figure 121. GPO3\_TRIG\_EVENT\_SEL Register**

| 7                        | 6 | 5 | 4 | 3 | 2 | 1 | 0 |
|--------------------------|---|---|---|---|---|---|---|
| GPO3_TRIG_EVENT_SEL[7:0] |   |   |   |   |   |   |   |
| R/W-10b                  |   |   |   |   |   |   |   |

**Table 115. GPO3\_TRIG\_EVENT\_SEL Register Field Descriptions**

| Bit | Field                    | Type | Reset | Description                                                                                                                                                                                                                                                                             |
|-----|--------------------------|------|-------|-----------------------------------------------------------------------------------------------------------------------------------------------------------------------------------------------------------------------------------------------------------------------------------------|
| 7-0 | GPO3_TRIG_EVENT_SEL[7:0] | R/W  | 10b   | Select the inputs AIN/GPIO[7:0], analog or digital, which can trigger an event based update on GPO3.<br><br>0b = Alert flags for the AIN/GPIO corresponding to this bit do not trigger GPO3 output.<br>1b = Alert flags for the AIN/GPIO corresponding to this bit trigger GPO3 output. |

**8.6.105 GPO4\_TRIG\_EVENT\_SEL Register (Address = 0xCB) [reset = 0x2]**

 GPO4\_TRIG\_EVENT\_SEL is shown in [Figure 122](#) and described in [Table 116](#).

 Return to the [Summary Table](#).

**Figure 122. GPO4\_TRIG\_EVENT\_SEL Register**

| 7                        | 6 | 5 | 4 | 3 | 2 | 1 | 0 |
|--------------------------|---|---|---|---|---|---|---|
| GPO4_TRIG_EVENT_SEL[7:0] |   |   |   |   |   |   |   |
| R/W-10b                  |   |   |   |   |   |   |   |

**Table 116. GPO4\_TRIG\_EVENT\_SEL Register Field Descriptions**

| Bit | Field                    | Type | Reset | Description                                                                                                                                                                                                                                                                             |
|-----|--------------------------|------|-------|-----------------------------------------------------------------------------------------------------------------------------------------------------------------------------------------------------------------------------------------------------------------------------------------|
| 7-0 | GPO4_TRIG_EVENT_SEL[7:0] | R/W  | 10b   | Select the inputs AIN/GPIO[7:0], analog or digital, which can trigger an event based update on GPO4.<br><br>0b = Alert flags for the AIN/GPIO corresponding to this bit do not trigger GPO4 output.<br>1b = Alert flags for the AIN/GPIO corresponding to this bit trigger GPO4 output. |

**8.6.106 GPO5\_TRIG\_EVENT\_SEL Register (Address = 0xCD) [reset = 0x2]**

 GPO5\_TRIG\_EVENT\_SEL is shown in [Figure 123](#) and described in [Table 117](#).

 Return to the [Summary Table](#).

**Figure 123. GPO5\_TRIG\_EVENT\_SEL Register**

|                          |   |   |   |   |   |   |   |
|--------------------------|---|---|---|---|---|---|---|
| 7                        | 6 | 5 | 4 | 3 | 2 | 1 | 0 |
| GPO0_TRIG_EVENT_SEL[7:0] |   |   |   |   |   |   |   |
| R/W-10b                  |   |   |   |   |   |   |   |

**Table 117. GPO5\_TRIG\_EVENT\_SEL Register Field Descriptions**

| Bit | Field                    | Type | Reset | Description                                                                                                                                                                                                                                                                         |
|-----|--------------------------|------|-------|-------------------------------------------------------------------------------------------------------------------------------------------------------------------------------------------------------------------------------------------------------------------------------------|
| 7-0 | GPO0_TRIG_EVENT_SEL[7:0] | R/W  | 10b   | Select the inputs AIN/GPIO[7:0], analog or digital, which can trigger an event based update on GPO5.<br>0b = Alert flags for the AIN/GPIO corresponding to this bit do not trigger GPO5 output.<br>1b = Alert flags for the AIN/GPIO corresponding to this bit trigger GPO5 output. |

**8.6.107 GPO6\_TRIG\_EVENT\_SEL Register (Address = 0xCF) [reset = 0x2]**

GPO6\_TRIG\_EVENT\_SEL is shown in [Figure 124](#) and described in [Table 118](#).

Return to the [Summary Table](#).

**Figure 124. GPO6\_TRIG\_EVENT\_SEL Register**

|                          |   |   |   |   |   |   |   |
|--------------------------|---|---|---|---|---|---|---|
| 7                        | 6 | 5 | 4 | 3 | 2 | 1 | 0 |
| GPO6_TRIG_EVENT_SEL[7:0] |   |   |   |   |   |   |   |
| R/W-10b                  |   |   |   |   |   |   |   |

**Table 118. GPO6\_TRIG\_EVENT\_SEL Register Field Descriptions**

| Bit | Field                    | Type | Reset | Description                                                                                                                                                                                                                                                                         |
|-----|--------------------------|------|-------|-------------------------------------------------------------------------------------------------------------------------------------------------------------------------------------------------------------------------------------------------------------------------------------|
| 7-0 | GPO6_TRIG_EVENT_SEL[7:0] | R/W  | 10b   | Select the inputs AIN/GPIO[7:0], analog or digital, which can trigger an event based update on GPO6.<br>0b = Alert flags for the AIN/GPIO corresponding to this bit do not trigger GPO6 output.<br>1b = Alert flags for the AIN/GPIO corresponding to this bit trigger GPO6 output. |

**8.6.108 GPO7\_TRIG\_EVENT\_SEL Register (Address = 0xD1) [reset = 0x2]**

GPO7\_TRIG\_EVENT\_SEL is shown in [Figure 125](#) and described in [Table 119](#).

Return to the [Summary Table](#).

**Figure 125. GPO7\_TRIG\_EVENT\_SEL Register**

|                          |   |   |   |   |   |   |   |
|--------------------------|---|---|---|---|---|---|---|
| 7                        | 6 | 5 | 4 | 3 | 2 | 1 | 0 |
| GPO7_TRIG_EVENT_SEL[7:0] |   |   |   |   |   |   |   |
| R/W-10b                  |   |   |   |   |   |   |   |

**Table 119. GPO7\_TRIG\_EVENT\_SEL Register Field Descriptions**

| Bit | Field                    | Type | Reset | Description                                                                                                                                                                                                                                                                         |
|-----|--------------------------|------|-------|-------------------------------------------------------------------------------------------------------------------------------------------------------------------------------------------------------------------------------------------------------------------------------------|
| 7-0 | GPO7_TRIG_EVENT_SEL[7:0] | R/W  | 10b   | Select the inputs AIN/GPIO[7:0], analog or digital, which can trigger an event based update on GPO7.<br>0b = Alert flags for the AIN/GPIO corresponding to this bit do not trigger GPO7 output.<br>1b = Alert flags for the AIN/GPIO corresponding to this bit trigger GPO7 output. |

**8.6.109 GPO\_TRIGGER\_CFG Register (Address = 0xE9) [reset = 0x0]**

 GPO\_TRIGGER\_CFG is shown in [Figure 126](#) and described in [Table 120](#).

 Return to the [Summary Table](#).

**Figure 126. GPO\_TRIGGER\_CFG Register**

|                            |   |   |   |   |   |   |   |
|----------------------------|---|---|---|---|---|---|---|
| 7                          | 6 | 5 | 4 | 3 | 2 | 1 | 0 |
| GPO_TRIGGER_UPDATE_EN[7:0] |   |   |   |   |   |   |   |
| R/W-0b                     |   |   |   |   |   |   |   |

**Table 120. GPO\_TRIGGER\_CFG Register Field Descriptions**

| Bit | Field                      | Type | Reset | Description                                                                                                                                                                                                                                                                                                                    |
|-----|----------------------------|------|-------|--------------------------------------------------------------------------------------------------------------------------------------------------------------------------------------------------------------------------------------------------------------------------------------------------------------------------------|
| 7-0 | GPO_TRIGGER_UPDATE_EN[7:0] | R/W  | 0b    | Update digital outputs GPO[7:0] when corresponding trigger is set.<br>0b = Digital output is not updated in response to alert flags.<br>1b = Digital output is updated when corresponding alert flags are set.<br>Configure GPOx_TRIG_EVENT_SEL register to select which alert flags can trigger an update on the desired GPO. |

**8.6.110 GPO\_VALUE\_TRIG Register (Address = 0xEB) [reset = 0x0]**

 GPO\_VALUE\_TRIG is shown in [Figure 127](#) and described in [Table 121](#).

 Return to the [Summary Table](#).

**Figure 127. GPO\_VALUE\_TRIG Register**

|                           |   |   |   |   |   |   |   |
|---------------------------|---|---|---|---|---|---|---|
| 7                         | 6 | 5 | 4 | 3 | 2 | 1 | 0 |
| GPO_VALUE_ON_TRIGGER[7:0] |   |   |   |   |   |   |   |
| R/W-0b                    |   |   |   |   |   |   |   |

**Table 121. GPO\_VALUE\_TRIG Register Field Descriptions**

| Bit | Field                     | Type | Reset | Description                                                                                                                                                                                                                                              |
|-----|---------------------------|------|-------|----------------------------------------------------------------------------------------------------------------------------------------------------------------------------------------------------------------------------------------------------------|
| 7-0 | GPO_VALUE_ON_TRIGGER[7:0] | R/W  | 0b    | Value to be set on digital outputs GPO[7:0] when corresponding trigger occurs. GPO update on alert flags must be enabled in corresponding bit in GPO_TRIGGER_CFG register.<br>0b = Digital output set to logic 0.<br>1b = Digital output set to logic 1. |



## 9 Application and Implementation

### NOTE

Information in the following applications sections is not part of the TI component specification, and TI does not warrant its accuracy or completeness. TI's customers are responsible for determining suitability of components for their purposes. Customers should validate and test their design implementation to confirm system functionality.

### 9.1 Application Information

The two primary circuits required to maximize the performance of a high-precision, successive approximation register (SAR), analog-to-digital converter (ADC) are the input driver and the reference driver circuits. This section details some general principles for designing the input driver circuit, reference driver circuit, and provides some application circuits designed for the ADS7138.

### 9.2 Typical Applications

#### 9.2.1 Mixed-Channel Configuration

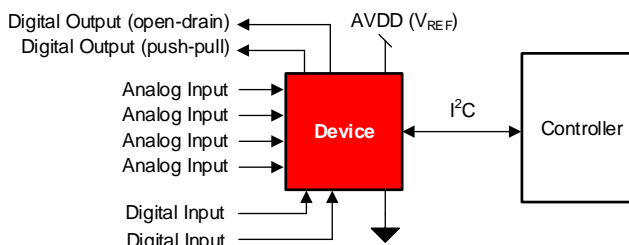


Figure 128. DAQ Circuit: Single-Supply DAQ

##### 9.2.1.1 Design Requirements

The goal of this application is to configure some channels of the ADS7138 as digital inputs, open-drain digital outputs, and push-pull digital outputs.

##### 9.2.1.2 Detailed Design Procedure

The ADS7138 can support GPIO functionality at each input pin. Any analog input pin can be independently configured as a digital input, a digital open-drain output, or a digital push-pull output through the PIN\_CFG and GPIO\_CFG registers; see [Table 4](#).

##### 9.2.1.2.1 Digital Input

The digital input functionality can be used to monitor a signal within the system. [Figure 129](#) illustrates that the state of the digital input can be read from the GPI\_VALUE register.

Typical Applications (continued)

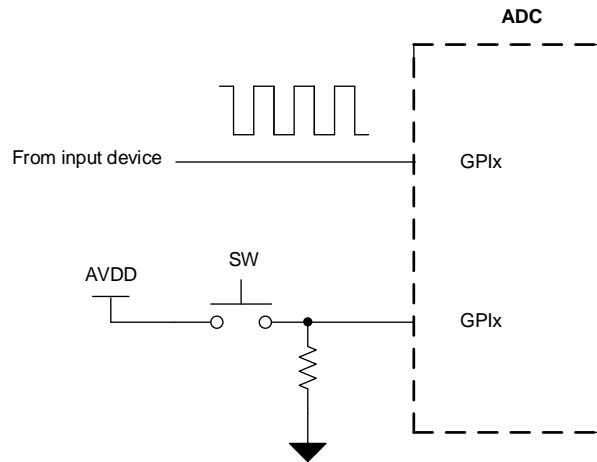


Figure 129. Digital Input

9.2.1.2.2 Digital Open-Drain Output

The channels of the ADS7138 can be configured as digital open-drain outputs supporting an output voltage up to 5.5 V. An open-drain output, as shown in Figure 130, consists of an internal FET (Q) connected to ground. The output is idle when not driven by the device, which means Q is off and the pull-up resistor, R<sub>PULL\_UP</sub>, connects the GPOx node to the desired output voltage. The output voltage can range anywhere up to 5.5 V, depending on the external voltage that the GPIOx is pulled up to. When the device is driving the output, Q turns on, thus connecting the pull-up resistor to ground and bringing the node voltage at GPOx low.

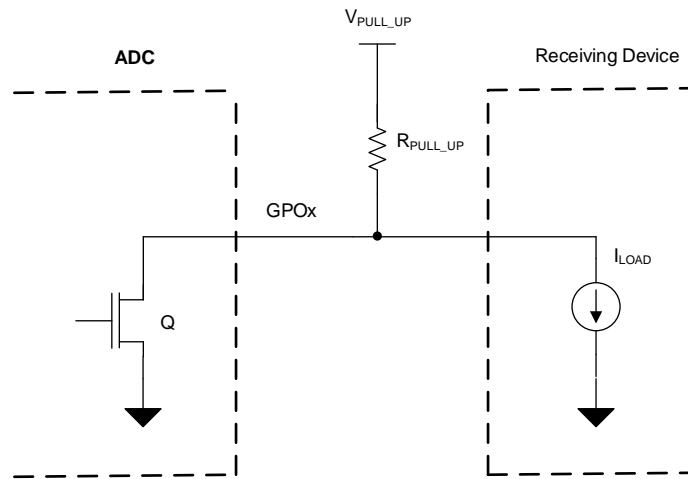


Figure 130. Digital Open-Drain Output

The minimum value of the pullup resistor, as calculated in Equation 3, is given by the ratio of V<sub>PULL\_UP</sub> and the maximum current supported by the device digital output (5 mA).

$$R_{MIN} = (V_{PULL\_UP} / 5 \text{ mA}) \tag{3}$$

The maximum value of the pullup resistor, as calculated in Equation 4, depends on the minimum input current requirement, I<sub>LOAD</sub>, of the receiving device driven by this GPIO.

$$R_{MAX} = (V_{PULL\_UP} / I_{LOAD}) \tag{4}$$

Select R<sub>PULL\_UP</sub> such that R<sub>MIN</sub> < R<sub>PULL\_UP</sub> < R<sub>MAX</sub>.

## Typical Applications (continued)

### 9.2.1.3 Digital Push-Pull Output

The channels of the ADS7138 can be configured as digital push-pull outputs supporting an output voltage up to AVDD. As shown in Figure 131, a push-pull output consists of two mirrored opposite bipolar transistors, Q1 and Q2. The device can both source and sink current because only one transistor is on at a time (either Q2 is on and pulls the output low, or Q1 is on and sets the output high). A push-pull configuration always drives the line opposed to an open-drain output where the line is left floating.

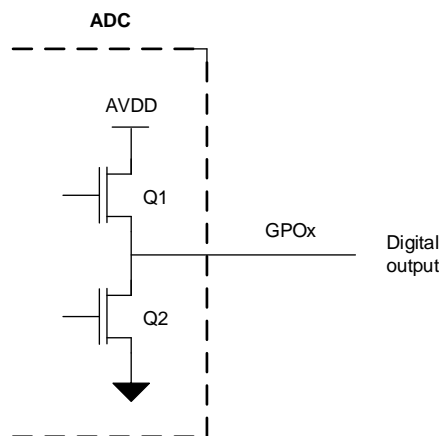


Figure 131. Digital Push-Pull Output

## 10 Power Supply Recommendations

### 10.1 AVDD and DVDD Supply Recommendations

The ADS7138 has two separate power supplies: AVDD and DVDD. The device operates on AVDD; DVDD is used for the interface circuits. For supplies greater than 2.35 V, AVDD and DVDD can be shorted externally if single-supply operation is desired. The AVDD supply also defines the full-scale input range of the device. Decouple the AVDD and DVDD pins individually, as shown in Figure 132, with 1- $\mu$ F ceramic decoupling capacitors. The minimum capacitor value required for AVDD and DVDD is 200 nF and 20 nF, respectively. If both supplies are powered from the same source, a minimum capacitor value of 220 nF is required for decoupling.

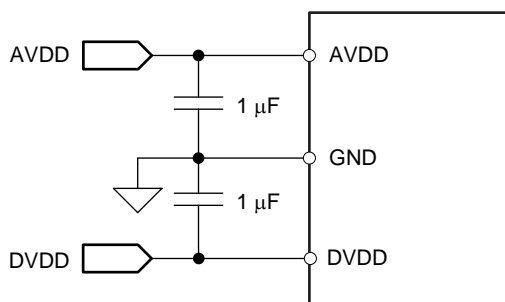


Figure 132. Power-Supply Decoupling

## 11 Layout

### 11.1 Layout Guidelines

Figure 133 shows a board layout example for the ADS7138. Avoid crossing digital lines with the analog signal path and keep the analog input signals and the AVDD supply away from noise sources.

Use 1- $\mu$ F ceramic bypass capacitors in close proximity to the analog (AVDD) and digital (DVDD) power-supply pins. Avoid placing vias between the AVDD and DVDD pins and the bypass capacitors. Connect the GND pin to the ground plane using short, low-impedance paths. The AVDD supply voltage also functions as the reference voltage for the ADS7138. Place the decoupling capacitor ( $C_{REF}$ ) for AVDD close to the device AVDD and GND pins and connect  $C_{REF}$  to the device pins with thick copper tracks.

### 11.2 Layout Example

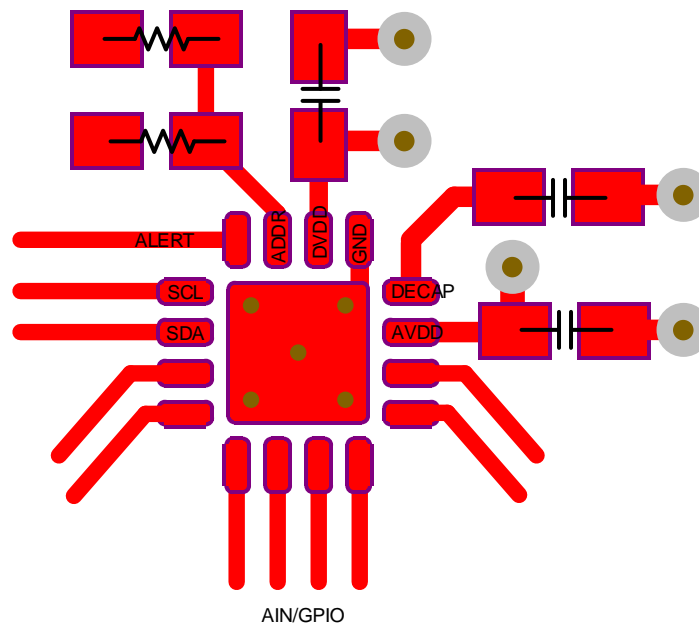


Figure 133. Example Layout

## 12 Device and Documentation Support

### 12.1 Receiving Notification of Documentation Updates

To receive notification of documentation updates, navigate to the device product folder on [ti.com](http://ti.com). In the upper right corner, click on *Alert me* to register and receive a weekly digest of any product information that has changed. For change details, review the revision history included in any revised document.

### 12.2 Community Resources

The following links connect to TI community resources. Linked contents are provided "AS IS" by the respective contributors. They do not constitute TI specifications and do not necessarily reflect TI's views; see TI's [Terms of Use](#).

**TI E2E™ Online Community** *TI's Engineer-to-Engineer (E2E) Community*. Created to foster collaboration among engineers. At [e2e.ti.com](http://e2e.ti.com), you can ask questions, share knowledge, explore ideas and help solve problems with fellow engineers.

**Design Support** *TI's Design Support* Quickly find helpful E2E forums along with design support tools and contact information for technical support.

### 12.3 Trademarks

E2E is a trademark of Texas Instruments.  
All other trademarks are the property of their respective owners.

### 12.4 Electrostatic Discharge Caution



This integrated circuit can be damaged by ESD. Texas Instruments recommends that all integrated circuits be handled with appropriate precautions. Failure to observe proper handling and installation procedures can cause damage.

ESD damage can range from subtle performance degradation to complete device failure. Precision integrated circuits may be more susceptible to damage because very small parametric changes could cause the device not to meet its published specifications.

### 12.5 Glossary

[SLYZ022](#) — *TI Glossary*.

This glossary lists and explains terms, acronyms, and definitions.

## 13 Mechanical, Packaging, and Orderable Information

The following pages include mechanical, packaging, and orderable information. This information is the most current data available for the designated devices. This data is subject to change without notice and revision of this document. For browser-based versions of this data sheet, refer to the left-hand navigation.

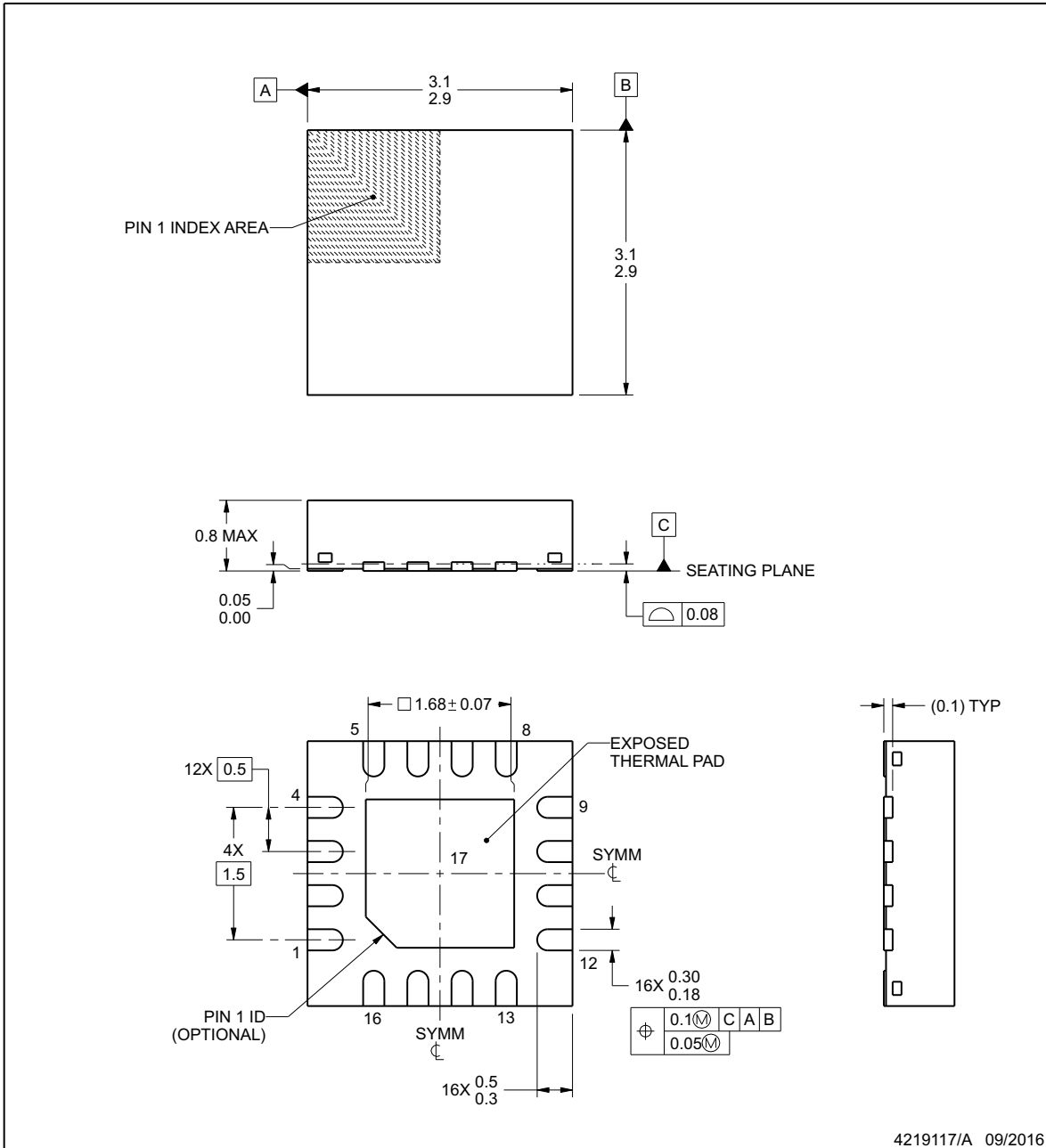


PACKAGE OUTLINE

RTE0016C

WQFN - 0.8 mm max height

PLASTIC QUAD FLATPACK - NO LEAD



NOTES:

1. All linear dimensions are in millimeters. Any dimensions in parenthesis are for reference only. Dimensioning and tolerancing per ASME Y14.5M.
2. This drawing is subject to change without notice.
3. The package thermal pad must be soldered to the printed circuit board for thermal and mechanical performance.

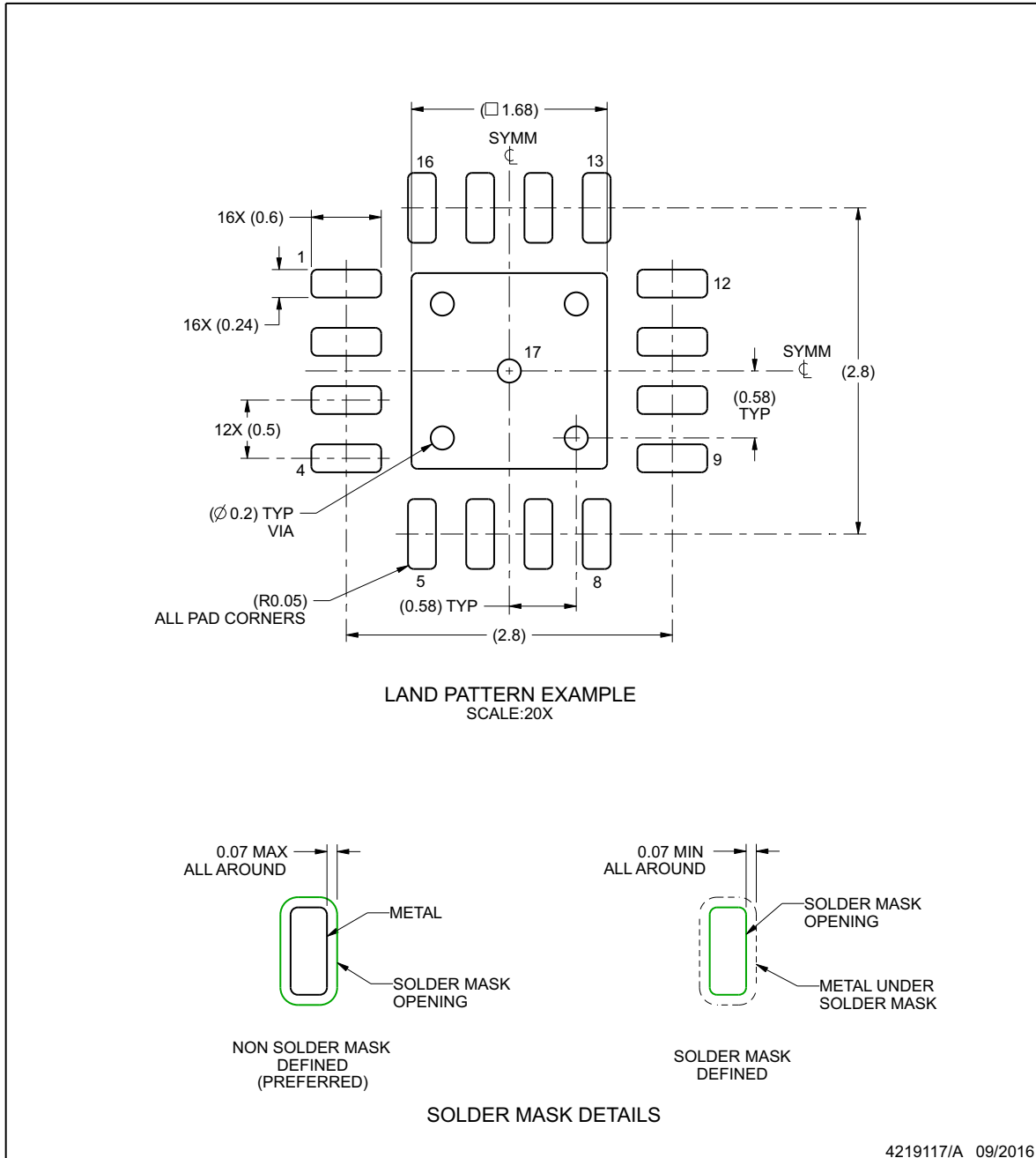
ADVANCE INFORMATION

EXAMPLE BOARD LAYOUT

RTE0016C

WQFN - 0.8 mm max height

PLASTIC QUAD FLATPACK - NO LEAD



ADVANCE INFORMATION

NOTES: (continued)

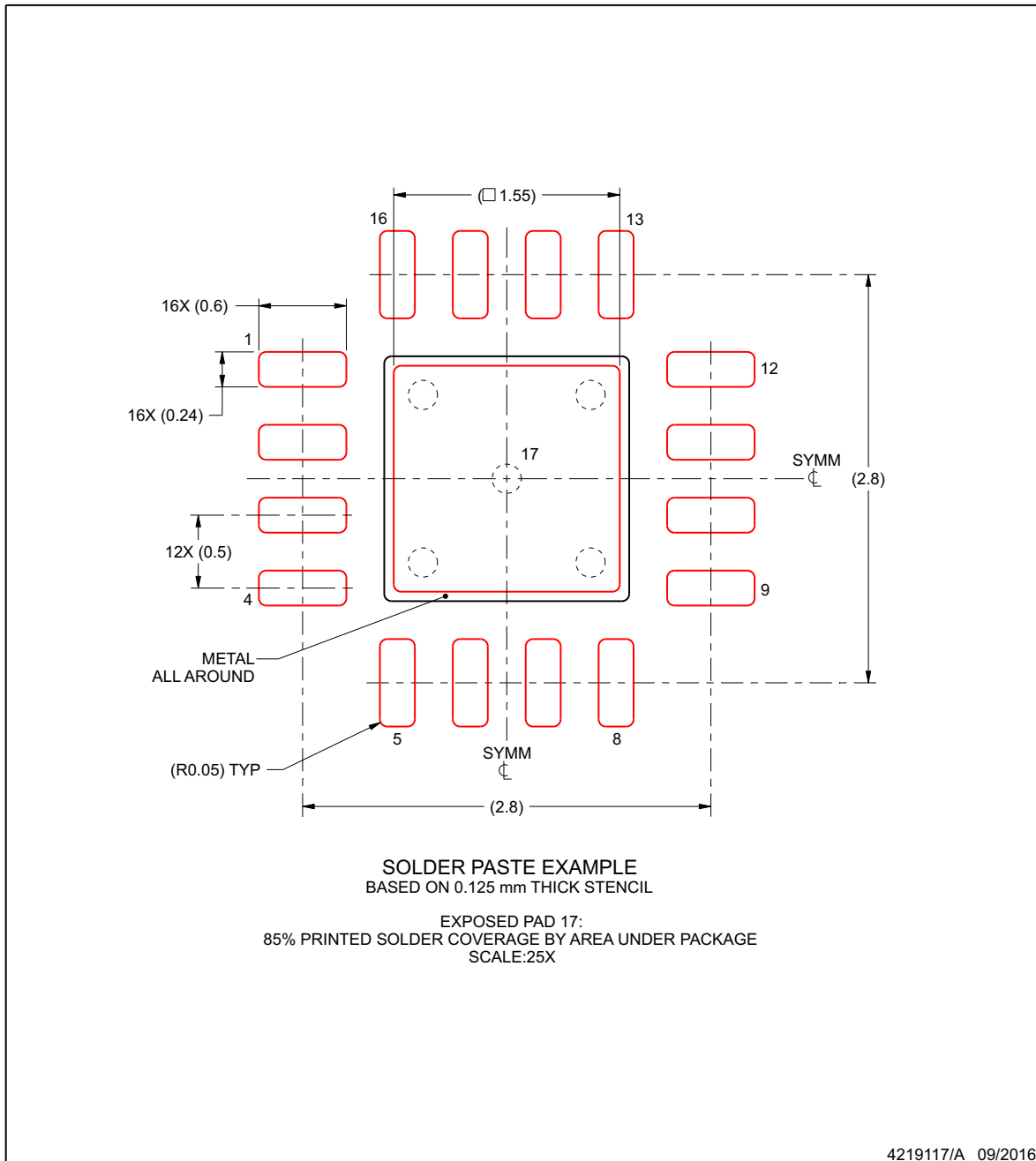
- This package is designed to be soldered to a thermal pad on the board. For more information, see Texas Instruments literature number SLUA271 ([www.ti.com/lit/sluea271](http://www.ti.com/lit/sluea271)).
- Vias are optional depending on application, refer to device data sheet. If any vias are implemented, refer to their locations shown on this view. It is recommended that vias under paste be filled, plugged or tented.

EXAMPLE STENCIL DESIGN

RTE0016C

WQFN - 0.8 mm max height

PLASTIC QUAD FLATPACK - NO LEAD



NOTES: (continued)

6. Laser cutting apertures with trapezoidal walls and rounded corners may offer better paste release. IPC-7525 may have alternate design recommendations.

ADVANCE INFORMATION



**PACKAGING INFORMATION**

| Orderable Device | Status<br>(1) | Package Type | Package Drawing | Pins | Package Qty | Eco Plan<br>(2) | Lead/Ball Finish<br>(6) | MSL Peak Temp<br>(3) | Op Temp (°C) | Device Marking<br>(4/5) | Samples |
|------------------|---------------|--------------|-----------------|------|-------------|-----------------|-------------------------|----------------------|--------------|-------------------------|---------|
| ADS7138IRTER     | PREVIEW       | WQFN         | RTE             | 16   | 3000        | TBD             | Call TI                 | Call TI              | -40 to 125   |                         |         |
| ADS7138IRTET     | PREVIEW       | WQFN         | RTE             | 16   | 250         | TBD             | Call TI                 | Call TI              | -40 to 125   |                         |         |
| XADS7138IRTER    | ACTIVE        | WQFN         | RTE             | 16   | 3000        | TBD             | Call TI                 | Call TI              | -40 to 125   |                         | Samples |

(1) The marketing status values are defined as follows:

**ACTIVE:** Product device recommended for new designs.

**LIFEBUY:** TI has announced that the device will be discontinued, and a lifetime-buy period is in effect.

**NRND:** Not recommended for new designs. Device is in production to support existing customers, but TI does not recommend using this part in a new design.

**PREVIEW:** Device has been announced but is not in production. Samples may or may not be available.

**OBSELETE:** TI has discontinued the production of the device.

(2) **RoHS:** TI defines "RoHS" to mean semiconductor products that are compliant with the current EU RoHS requirements for all 10 RoHS substances, including the requirement that RoHS substance do not exceed 0.1% by weight in homogeneous materials. Where designed to be soldered at high temperatures, "RoHS" products are suitable for use in specified lead-free processes. TI may reference these types of products as "Pb-Free".

**RoHS Exempt:** TI defines "RoHS Exempt" to mean products that contain lead but are compliant with EU RoHS pursuant to a specific EU RoHS exemption.

**Green:** TI defines "Green" to mean the content of Chlorine (Cl) and Bromine (Br) based flame retardants meet JS709B low halogen requirements of <=1000ppm threshold. Antimony trioxide based flame retardants must also meet the <=1000ppm threshold requirement.

(3) MSL, Peak Temp. - The Moisture Sensitivity Level rating according to the JEDEC industry standard classifications, and peak solder temperature.

(4) There may be additional marking, which relates to the logo, the lot trace code information, or the environmental category on the device.

(5) Multiple Device Markings will be inside parentheses. Only one Device Marking contained in parentheses and separated by a "-" will appear on a device. If a line is indented then it is a continuation of the previous line and the two combined represent the entire Device Marking for that device.

(6) Lead/Ball Finish - Orderable Devices may have multiple material finish options. Finish options are separated by a vertical ruled line. Lead/Ball Finish values may wrap to two lines if the finish value exceeds the maximum column width.

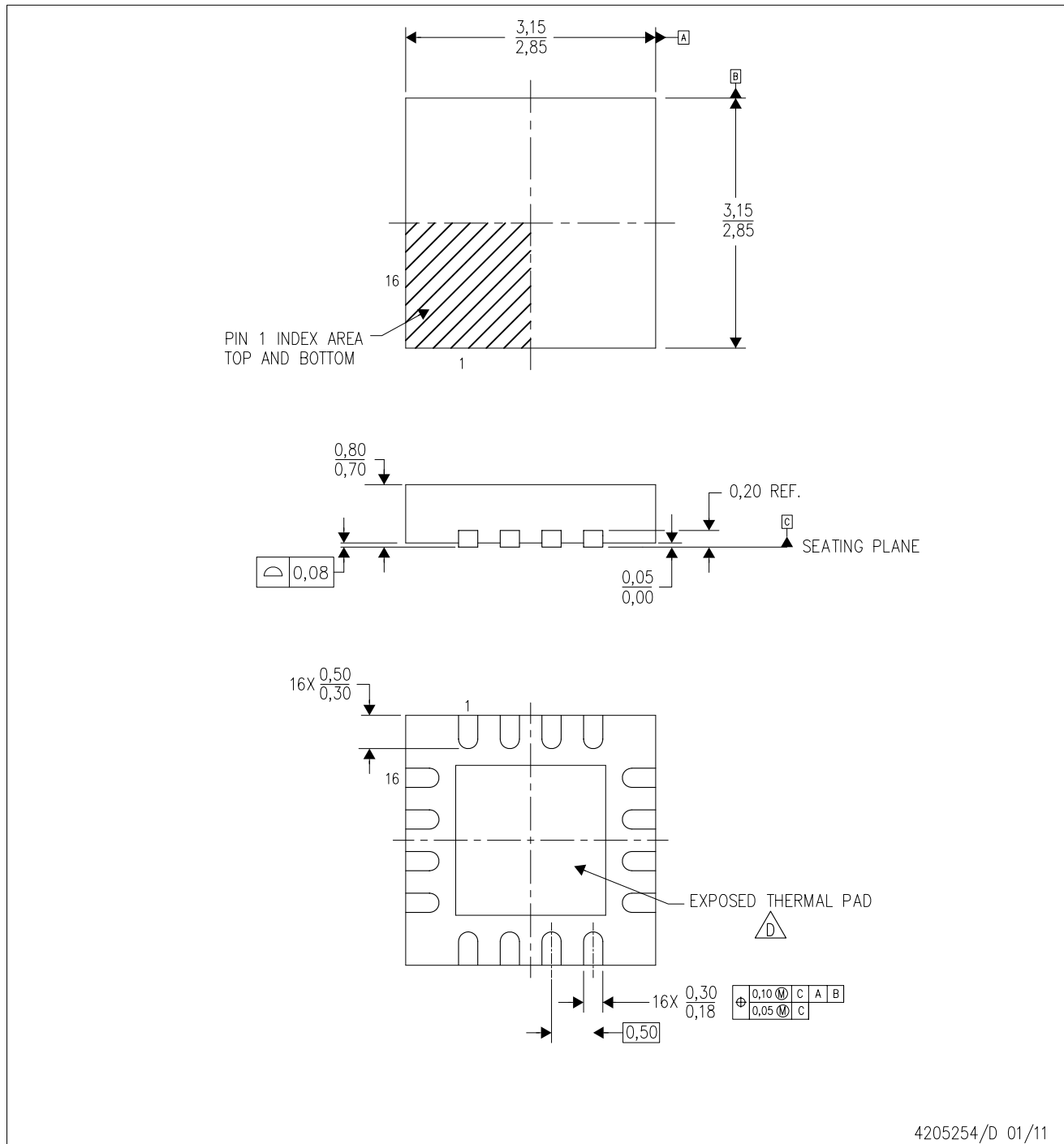
**Important Information and Disclaimer:**The information provided on this page represents TI's knowledge and belief as of the date that it is provided. TI bases its knowledge and belief on information provided by third parties, and makes no representation or warranty as to the accuracy of such information. Efforts are underway to better integrate information from third parties. TI has taken and continues to take reasonable steps to provide representative and accurate information but may not have conducted destructive testing or chemical analysis on incoming materials and chemicals. TI and TI suppliers consider certain information to be proprietary, and thus CAS numbers and other limited information may not be available for release.

In no event shall TI's liability arising out of such information exceed the total purchase price of the TI part(s) at issue in this document sold by TI to Customer on an annual basis.


# MECHANICAL DATA

RTE (S-PWQFN-N16)

PLASTIC QUAD FLATPACK NO-LEAD



4205254/D 01/11

- NOTES:
- A. All linear dimensions are in millimeters. Dimensioning and tolerancing per ASME Y14.5M-1994.
  - B. This drawing is subject to change without notice.
  - C. Quad Flatpack, No-leads (QFN) package configuration.
  -  The package thermal pad must be soldered to the board for thermal and mechanical performance. See the Product Data Sheet for details regarding the exposed thermal pad dimensions.
  - E. Falls within JEDEC MO-220.

## IMPORTANT NOTICE AND DISCLAIMER

TI PROVIDES TECHNICAL AND RELIABILITY DATA (INCLUDING DATASHEETS), DESIGN RESOURCES (INCLUDING REFERENCE DESIGNS), APPLICATION OR OTHER DESIGN ADVICE, WEB TOOLS, SAFETY INFORMATION, AND OTHER RESOURCES "AS IS" AND WITH ALL FAULTS, AND DISCLAIMS ALL WARRANTIES, EXPRESS AND IMPLIED, INCLUDING WITHOUT LIMITATION ANY IMPLIED WARRANTIES OF MERCHANTABILITY, FITNESS FOR A PARTICULAR PURPOSE OR NON-INFRINGEMENT OF THIRD PARTY INTELLECTUAL PROPERTY RIGHTS.

These resources are intended for skilled developers designing with TI products. You are solely responsible for (1) selecting the appropriate TI products for your application, (2) designing, validating and testing your application, and (3) ensuring your application meets applicable standards, and any other safety, security, or other requirements. These resources are subject to change without notice. TI grants you permission to use these resources only for development of an application that uses the TI products described in the resource. Other reproduction and display of these resources is prohibited. No license is granted to any other TI intellectual property right or to any third party intellectual property right. TI disclaims responsibility for, and you will fully indemnify TI and its representatives against, any claims, damages, costs, losses, and liabilities arising out of your use of these resources.

TI's products are provided subject to TI's Terms of Sale ([www.ti.com/legal/termsofsale.html](http://www.ti.com/legal/termsofsale.html)) or other applicable terms available either on [ti.com](http://ti.com) or provided in conjunction with such TI products. TI's provision of these resources does not expand or otherwise alter TI's applicable warranties or warranty disclaimers for TI products.

Mailing Address: Texas Instruments, Post Office Box 655303, Dallas, Texas 75265  
Copyright © 2019, Texas Instruments Incorporated