

REVISIONS		DATE	APPROVED
ZONE	REV.	DATE	APPROVED
A		11/11/10	

ZONE	REV.	DESCRIPTION
A		ORIGINAL RELEASE

**Description:**  
Part Number 27313540 (Model Number VVA-1G4G-CD-SFF-1) is a 1 - 4 GHz attenuator. It is supplied in our standard PE2 housing that can be used as a SMA connectorized or a surface mount component.

This model provides the following performance. Data is available upon request.

**Specifications:**

- Frequency Range: 1 to 4 GHz
- Insertion Loss: 2 dB Typ
- Attenuator Range: Insertion Loss to 15 dB Min.
- Attenuation Flatness: +/-0.5 dB Typ.
- Control: 0 to +5VDC.
- 0V = > 20 dB Typ Attenuation
- +3V = 15 dB Typ Attenuation
- +5V = Insertion Loss
- VSWR: 2.0:1 Typ (At Insertion Loss State)
- Input Power: +18 dBm CW (No Damage) Max
- Input Power for .025dB Compression: +4 dBm Typ
- Connectors: SMA (F)
- Housing: PE2

**Features:**

Standard Operating Temperature -55 to +85 Deg. C

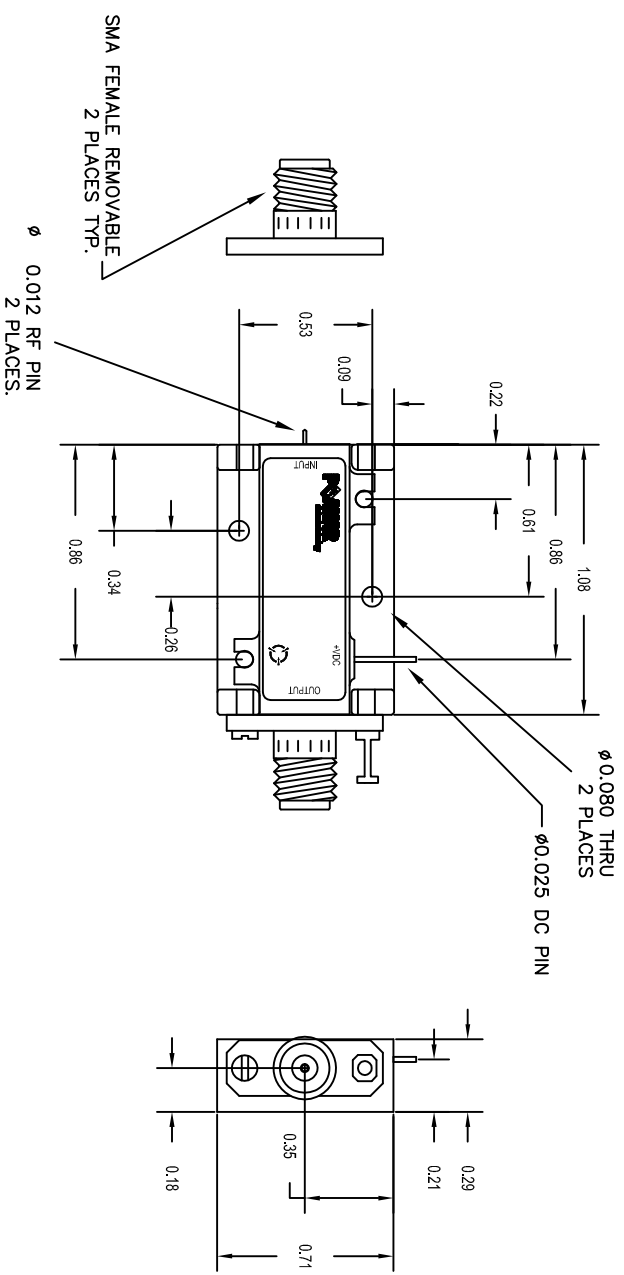
**Available Options:**

- Various Package Types
- Various Connector Types
- Temperature Compensation
- Hermetic Sealing
- Mil-STD-883 Screening Available

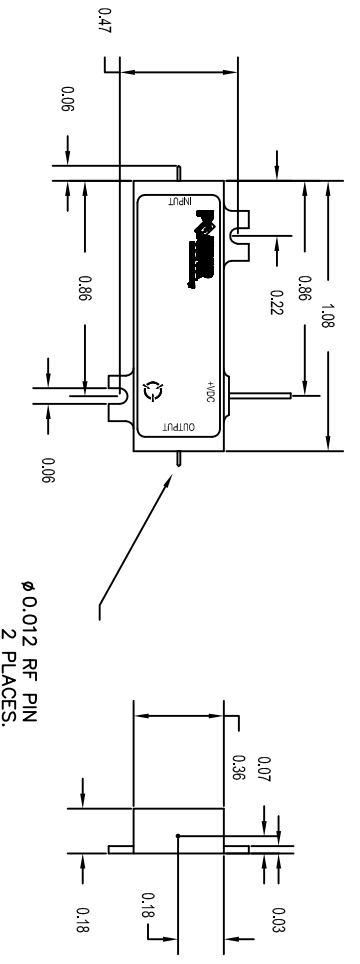
**Environmental Ratings:**

- Temperature: -55 to +85 Deg. C (Operating)
  - 65 to +125 Deg. C (Storage)
  - Humidity: MIL-STD-202F, METHOD 103B COND B.
  - Shock: MIL-STD-202F, METHOD 213B COND B.
  - Altitude: MIL-STD-202F, METHOD 105C COND B.
  - Temperature Cycle: MIL-STD-202F, METHOD 107D COND A
- Note: The above specifications are subject to change or revision.

PE2 HOUSING WITH CARRIER



PE2 HOUSING WITHOUT CARRIER (SURFACE MOUNT)



UNLESS OTHERWISE SPECIFIED  
DIMENSIONS ARE IN INCHES  
TOLERANCES ARE:  
FRACTIONS DECIMALS ANGLES  
± .XX ± 0.010 ±  
.XXX ± 0.005

PART NO.	DRAWN		DATE	TIME	CAGE CODE	DWG NO.	REV.
	APPROVALS	SFK					
MATERIAL:	6061-T6 Aluminum		DUTLINE DRAWING		7311-F GROVE ROAD FREDERICK, MARYLAND		
FINISH:	GOLD PLATED		VVA-1G4G-CD-SFF-1		27013541		
DO NOT SCALE DRAWING		ISSUED	SCALE	N/A	SHEET 1 OF 1		